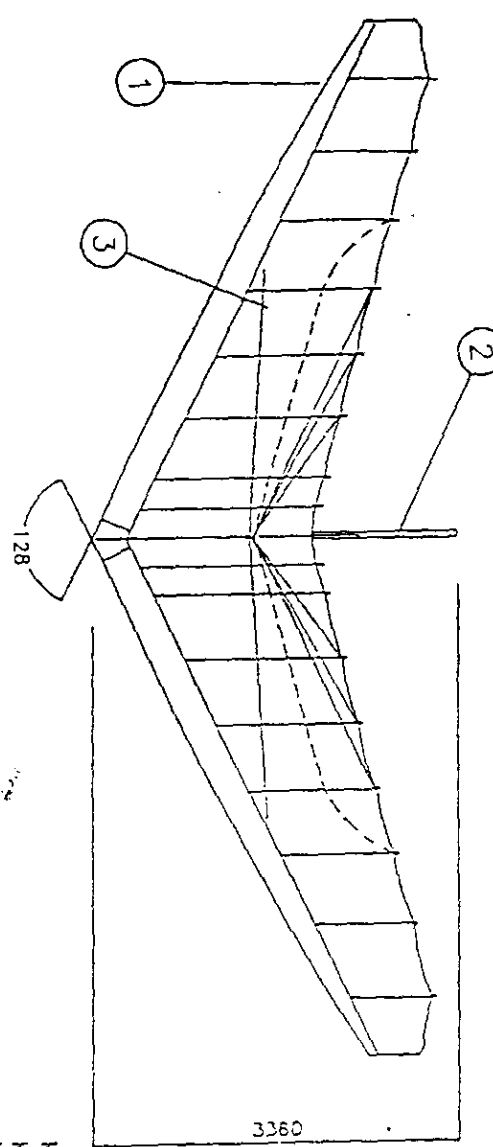
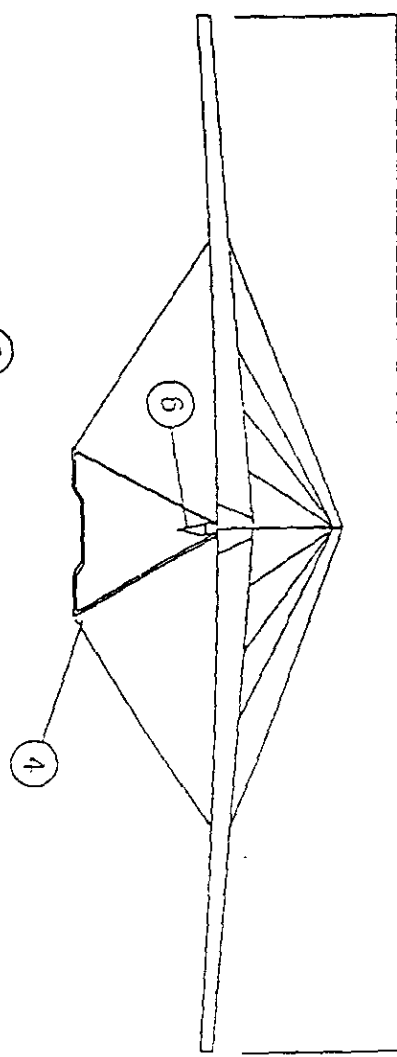




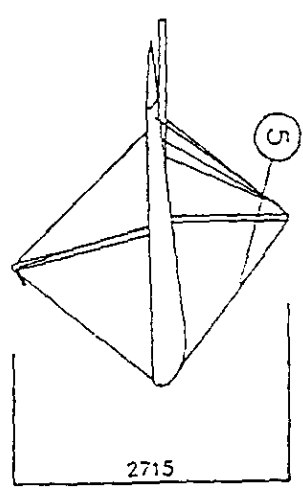
RUMOUR 3 13 Parts Catalogue

Cyclone Airports Ltd trading as Pegasus Aviation
Elm Tree Park, Manton, Marlborough, Wiltshire. UK
Telephone +44 (0) 1672 861578 Fax +44 (0) 1672 861550
www.pegasusaviation.co.uk email - parts@pegasusaviation.co.uk

9600



0 1000 2000 3000 4000 5000



Drawing No. SW-89115

RUMOUR THREE 13M (VB on)
SHEET 1 OF 4

Min pilot clip-in weight: 63kg, including harness.
Max. Pilot Clip-in Weight: 90 kg (198.4 lbs)
Wing area 31.1sqm.
Weight without Packing (dry): 29.1 kg (64.2 lbs)

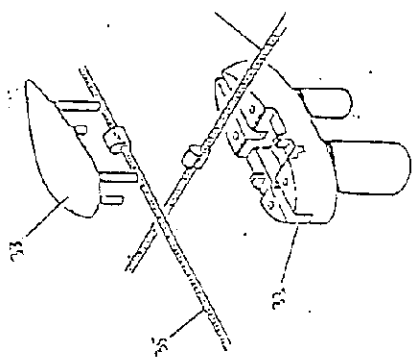
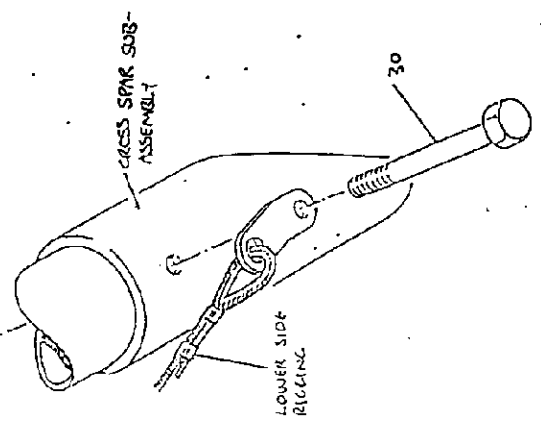
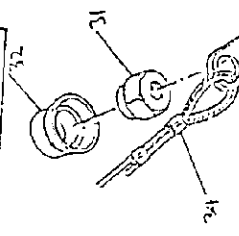
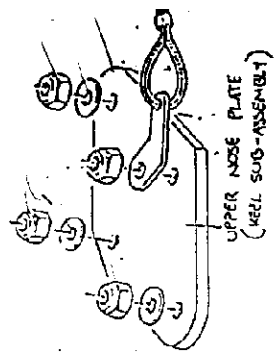
Item	Description	Part Number	Quantity	Drawing No.
1	LEADING EDGE SUB-ASSEMBLY	-1281-31000	1	SW-89125
2	RIEL SUB-ASSEMBLY	-1RD-31300	1	SW-89124
3	CROSS SPAR SUB-ASSEMBLY	-1R1-31600	1	SW-89026
4	CONTROL FRAME SUB-ASSEMBLY	-1281-31000	1	SW-89113
5	KING POST SUB-ASSEMBLY	-1RC-40000	1	SW-89128
6	KING POST HANG STRAP SUB-ASSEMBLY	-1RC-31805	1	SW-89111

<p>General tolerance 1/0.1-0.1 over 30/1000-0.3 over 300/1000-0.5 over 1000/2000-0.7 over 10000/20000-1.2</p>	
<p>Dimensions (mm) over 6/30-0.2 over 100</p>	

<p>FACT No. -121-20000</p>				
<p>SOLAR WINGS LTD. ELM TREE PARK MANTON, MARLBOROUGH WILTSHIRE, SN8 1PS TEL: 0672 86578</p>				
Drawn	Date	Signa	Scale	Drawing No.
060893		CLARKE	1:50	SW-89115
Approved	Date	Signa		
Checked	Date	Signa		

Iss.	Description of revision	Date	Appr
A	ORIGINAL ISSUE	060893	

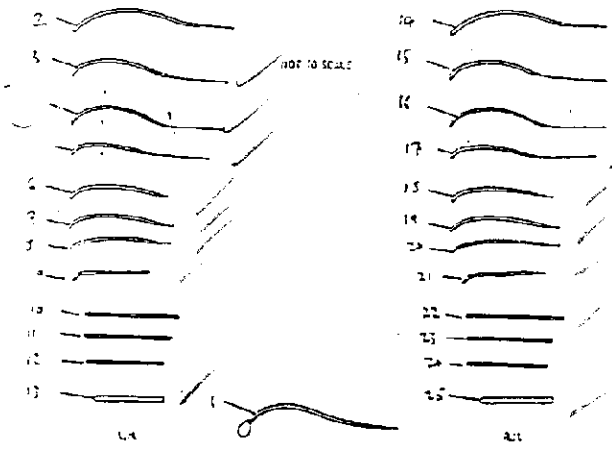
RUNNING THREE 1/2" DIA ASSEMBLY	
SOLAR WINGS LTD	DATE
ELM TREE PARK	REVISED BY
MANITON, MANITOBA CANADA	NO. OF REV. DATE APPROVED
WALTS, SIBBIPS	BY
TEL. 6672-86578	ENR.
	SW-89115



SHEET 2 OF 4

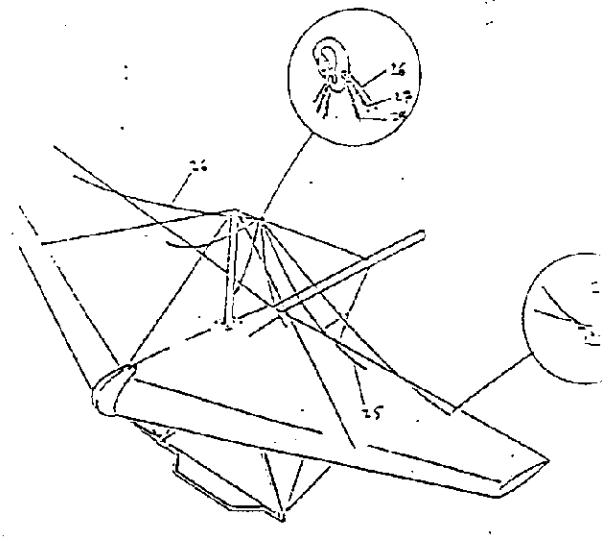
ITEM PART NO.	DESCRIPTION	DRAWING NO.	QUANTITY
30	FIBRA-30		
31	FAN04-NP		
32	PMC-N04		
33	PHC-002		
34	PM-67100		

3" x 4" DNF ISX-T
 1/2" NUTLOCK TYPE NUT
 1/2" NUT CAP
 Autofoil/King Fast Cap



21 RIBS 424-70000

Item Part No.	Description	Quantity
1	Center Rib	1
2	1 Left Hand Upper Rib	1
3	2 Left Hand Upper Ribs	2
4	3 Left Hand Upper Ribs	3
5	4 Left Hand Upper Ribs	4
6	5 Left Hand Upper Ribs	5
7	6 Left Hand Upper Ribs	6
8	7 Left Hand Upper Ribs	7
9	8 Left Hand Upper Ribs	8
10	9 Left Hand Upper Ribs	9
11	10 Left Hand Upper Ribs	10
12	11 Left Hand Upper Ribs	11
13	12 Left Hand Upper Ribs	12
14	13 Left Hand Upper Ribs	13
15	14 Left Hand Upper Ribs	14
16	15 Left Hand Upper Ribs	15
17	16 Left Hand Upper Ribs	16
18	17 Left Hand Upper Ribs	17
19	18 Left Hand Upper Ribs	18
20	19 Left Hand Upper Ribs	19
21	20 Left Hand Upper Ribs	20



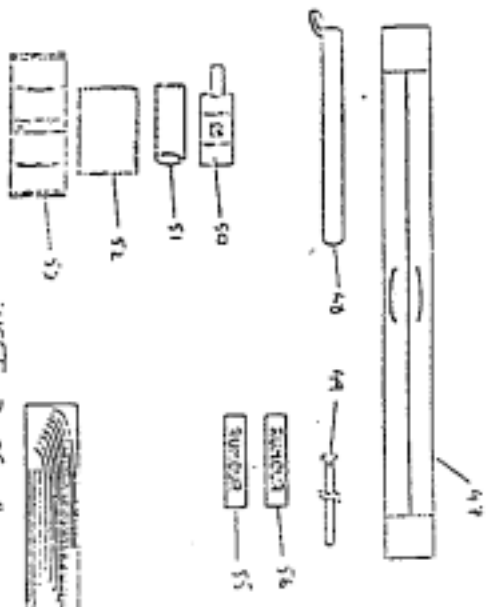
23 LUFF LINE ASSEMBLY

Item Part No.	Description	DRAWING NO.	Quantity
22	Center Luff Line		
23	424-70000		
24	Inner Luff Line		

Part No. 4811-010
 RUMOUR THREE 1304 ASSEMBLY

STAKE WORKS LTD	Drawn	11/11/64	A	INITIALS	DATE
ITEM TREE PUNCH	Approved				
MANUFACTURE	Checked				
INSTALLATION	Part				
DATE 1/71	Part				
141: 0171, 0157, 0157	Part				

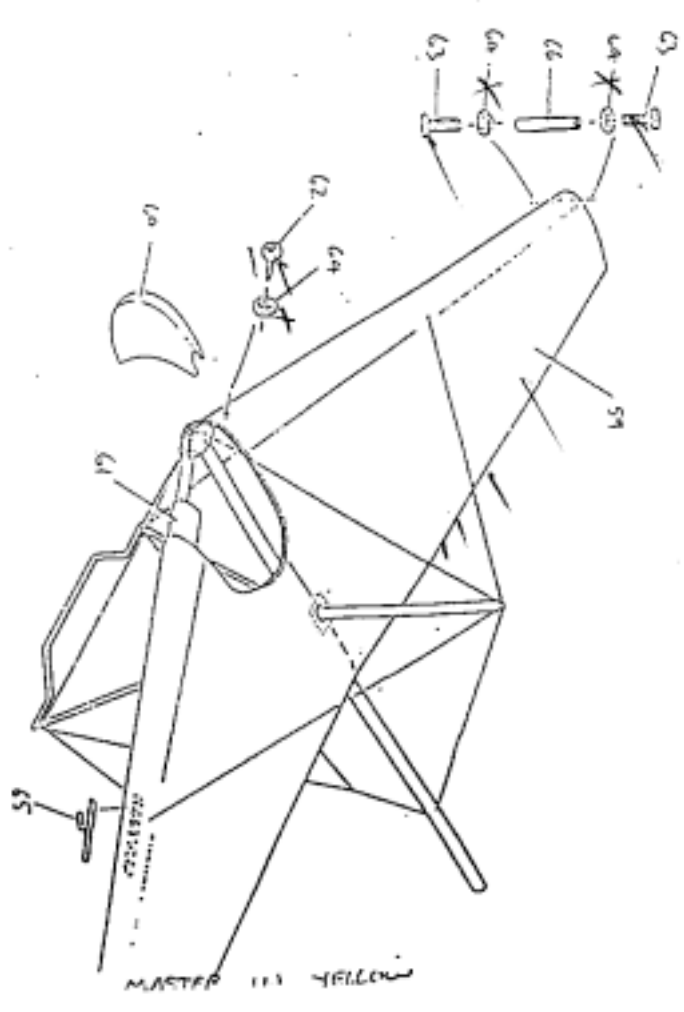
Drawing No. SW-89115



SHEET 3 OF 4
 19 SAIL, CARRYING & PACKING ASSEMBLIES

Item Part No.	Description	Quantity
---------------	-------------	----------

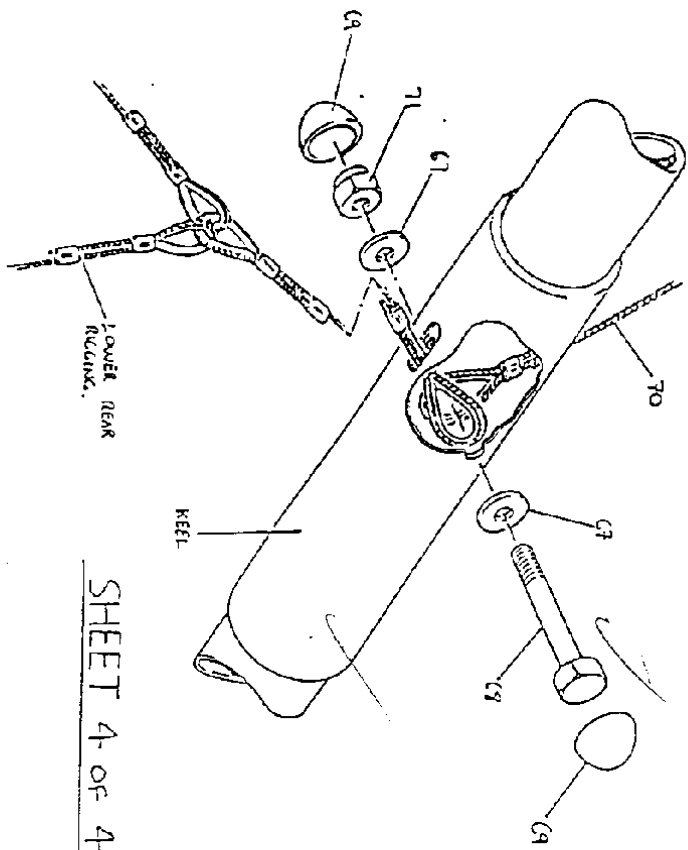
47	YPM-018	Carrying Bag	1
48	YPA-040	Zip Bag	1
49	YALN-002	20 GA GAL Storage 135H/51C1 - 30 US	1
50	YPA-045	2 Reel Rest Stand Pad	1
51	YPA-046	Bottom Sac Protection Pad	1
52	YAL-013	Top Kevlar Cover	1
53	YAL-010	Lower Kevlar Cover	1
54	2828	Baller Plans, Rubber Ring	1
55	2827	Car Spacers (Standard)	1
56	2826	SGA Spacers (Approved)	1
57	2825	State Parts Catalogue	1
58	2824	Task Instructions	1



SHEET 3 OF 4
 20 MAIN SAIL ASSEMBLY

Item Part No.	Description	Quantity	Alt. No.
---------------	-------------	----------	----------

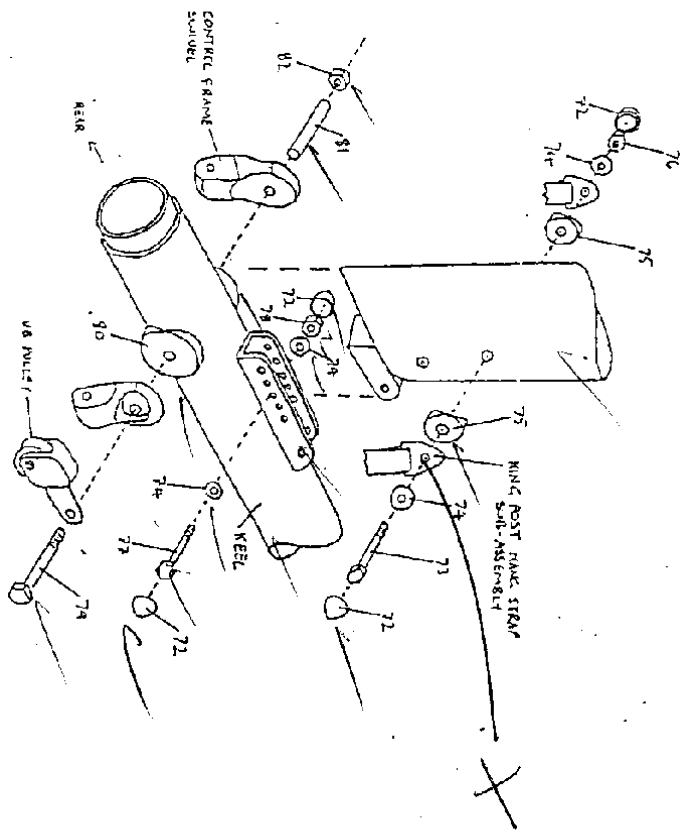
C1	YPM-015	Funnel	1
C2	YPA-045	2 Inse Cone	1
C3	YPM-012	Sail Tyle Triggers	1
C4	YPM-011	No. 12 - 1" Gunter's Hook 203 Sail/T-Trigger	1
C5	YPM-010	No. 12 - 1" Gunter's Hook 203 Sail/T-Trigger	1
C6	YPM-008	Wylet Spacer	1
C7	YPM-007	No. 10 Acro Lock Sliders, white	1
C8	YPM-006	Top Attention Pad	1



SHEET 4 OF 4

UPPER & LOWER REAR RIGGING ASSEMBLY

Item Part No.	Description	Quantity	Drawing No.
20C-584	6 mm SKELTY RING ONLY	4	
20C-585	2-1/4" x 1/2" UBF RING	4	
20C-586	4 mm RALPH SKELTY - CAP ONLY	2	
180-6700	Upper Rear Rigging	1	
180-6701	1/4" UBF - 0.437" Thick Nylon Lock Ins. Ring	1	Sur-902235

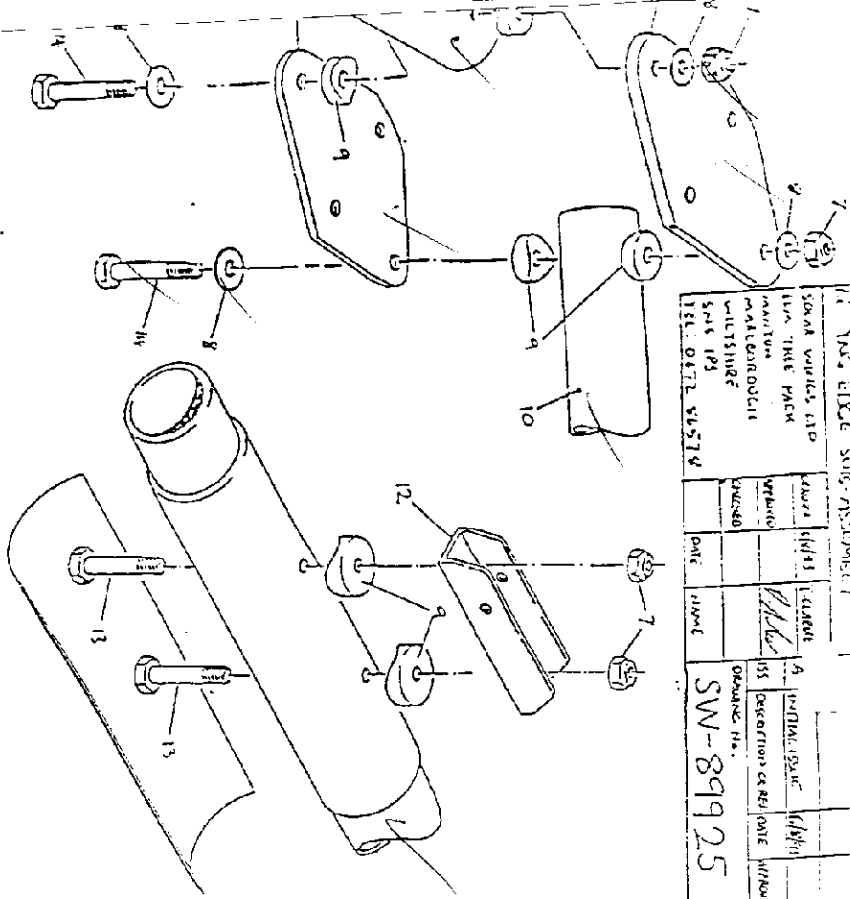


MASTER IN YELLOW

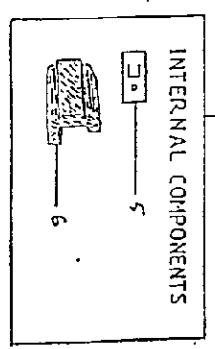
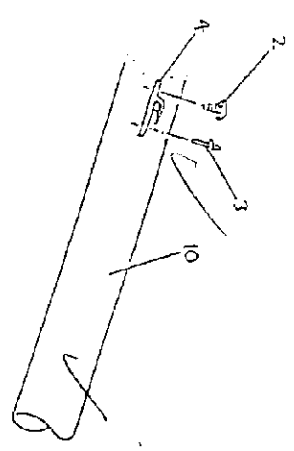
ITEM	PART NUMBER	DESCRIPTION	QUANTITY
72	20C-584	SKELTY CAP - 6mm	4
71	20C-585	1 1/4" x 1/2" BOLT	1
74	20C-586	SKELTY WASHER	4
75	180-6700	1 1/2" MS SADDLE	2
76	180-6701	1/4" UBF RING (SWIVEL)	1
77	180-6702	1/4" UBF RING (SWIVEL)	1
78	180-6703	1/4" UBF RING (SWIVEL)	1
79	180-6704	1/4" UBF RING (SWIVEL)	1
80	180-6705	1/4" UBF RING (SWIVEL)	1
81	180-6706	1/4" UBF RING (SWIVEL)	1
82	180-6707	1/4" UBF RING (SWIVEL)	1

RUBBER TIRE ASM ASSEMBLY			
ITEM NO.	DESCRIPTION	QUANTITY	REMARKS
1	SPARE WHEELS TIRE	1	
2	ELM TREE PART	1	

1. INS. EDGE SWIV ASSEMBLY		DATE	DESIGNED BY	ISS	DESCRIPTION	DATE	APPROVED
SOAK WORKS LTD	MANUFACTURE	DATE	DESIGNED BY	ISS	DESCRIPTION	DATE	APPROVED
LIN. TRIM PACK	MATERIALS	DATE	DESIGNED BY	ISS	DESCRIPTION	DATE	APPROVED
MATERIALS	MATERIALS	DATE	DESIGNED BY	ISS	DESCRIPTION	DATE	APPROVED
SWISSING	MATERIALS	DATE	DESIGNED BY	ISS	DESCRIPTION	DATE	APPROVED
SMS IPS	MATERIALS	DATE	DESIGNED BY	ISS	DESCRIPTION	DATE	APPROVED
REL. DATE SYSTEM	MATERIALS	DATE	DESIGNED BY	ISS	DESCRIPTION	DATE	APPROVED

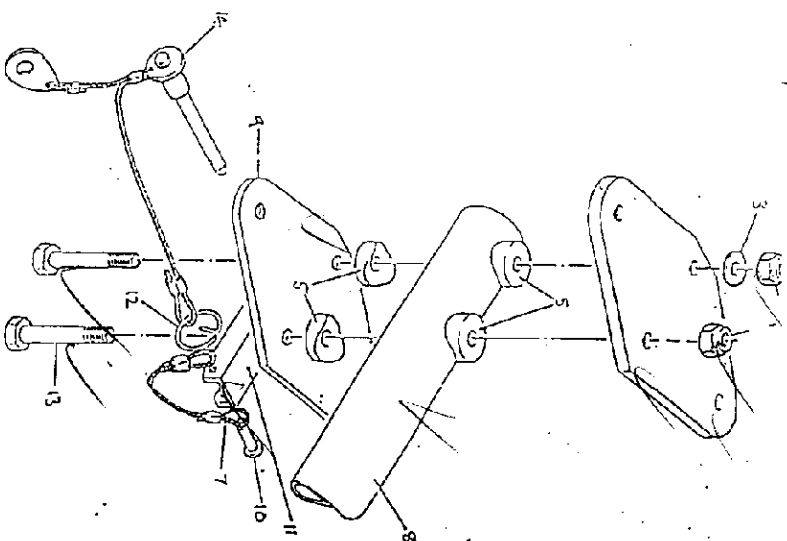
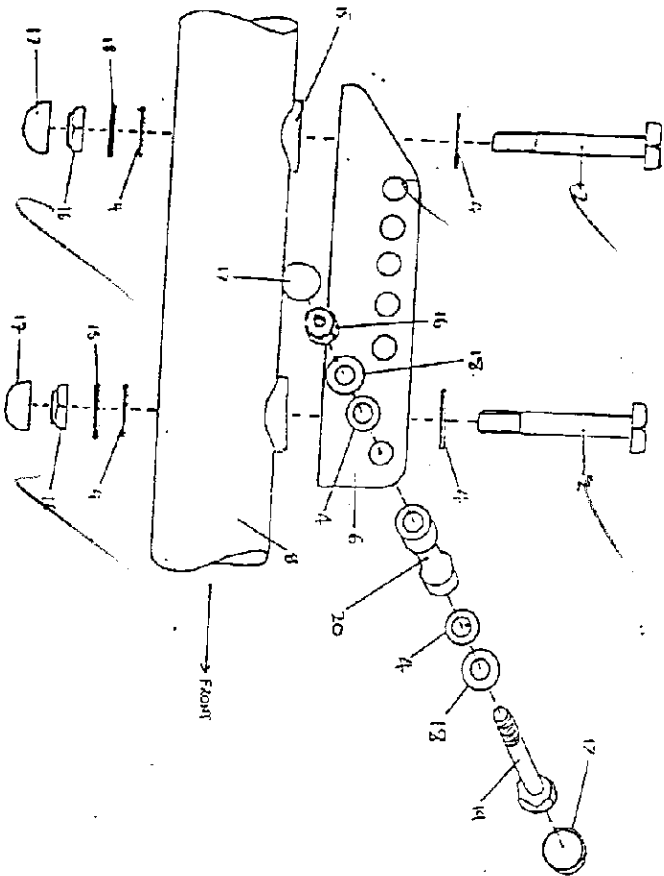


Item Part No.	Description	Quantity	Drawing No.
7	FNH-8-2	6	
8	FW-14	4	
9	PN-18-11	8	
10	1/4"-11-3160	1	
11	1/4"-11-3160	1	
12	ZN-003	2	
13	FAW-14	4	
14	FAW-16	2	



Item Part No.	Description	Quantity	Drawing No.
1	ZWA-040	2	SW-40046
2	INS-001	4	
3	INS-16-001	2	
4	INS-005	2	
5	INS-002	2	
6	INS-001	3	

MASTER IN YELLOW



Item Part No. :

Description :

Quantity

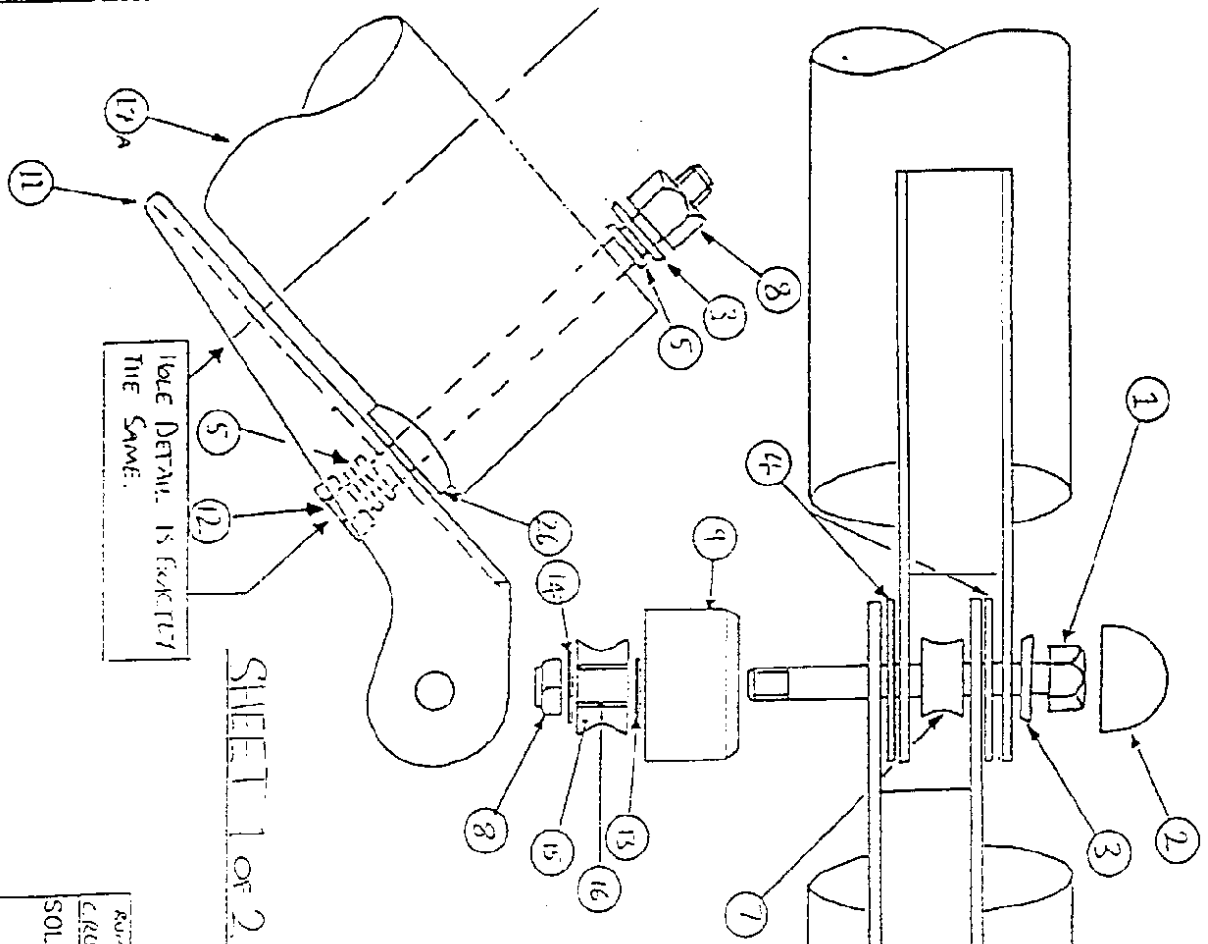
Remarks :

Item	Part No.	Description	Quantity	Remarks
1	ENR4-1/2	1/4" UNF x 0.317" Thin Plylock Ins. Nut	2	
2	ENR4-60	Washer, 1/4"	2	
3	ENR4-60	Washer, 1/4"	2	
4	TR6-HE-17	COVER, 1/4"	2	
5	TR6-HE-17	HE PLASTIC SCREWS	4	
6	ZC14-016	ROCK POST CHAINWEL	2	
7	TKM-61500	ROCK POST CHAINWEL	2	
8	YRD-31301	ROCK POST CHAINWEL	2	
9	ZPL-001	Roll Tube	1	
10	ZPC9-001	Nose Plate	1	
11	ZCR-005	1/2" x 3/16" Steel Clevis Pin	1	
12	ZPS3-001	Nose (S) Catch Channel	1	
13	ZBUC-23	5/8" Safety Ring	1	
14	ER-001	2-1/4" x 1/4" UNF HEX. Bolt	1	
15	ER-001	2" UNF PUSH PIN	1	
16	PROV-215	1 1/2" x 1/4" SAGGIE	1	
17	PROV-215	1 1/2" x 1/4" TIRE ROD (Nose)	2	
18	PROV-RSC-1	SWITCH CAP - Cam	2	
19	PROV-RSC-1	SWITCH WASHER - Cam	2	
20	PROV-RSC-1	SWITCH WASHER - Cam	2	

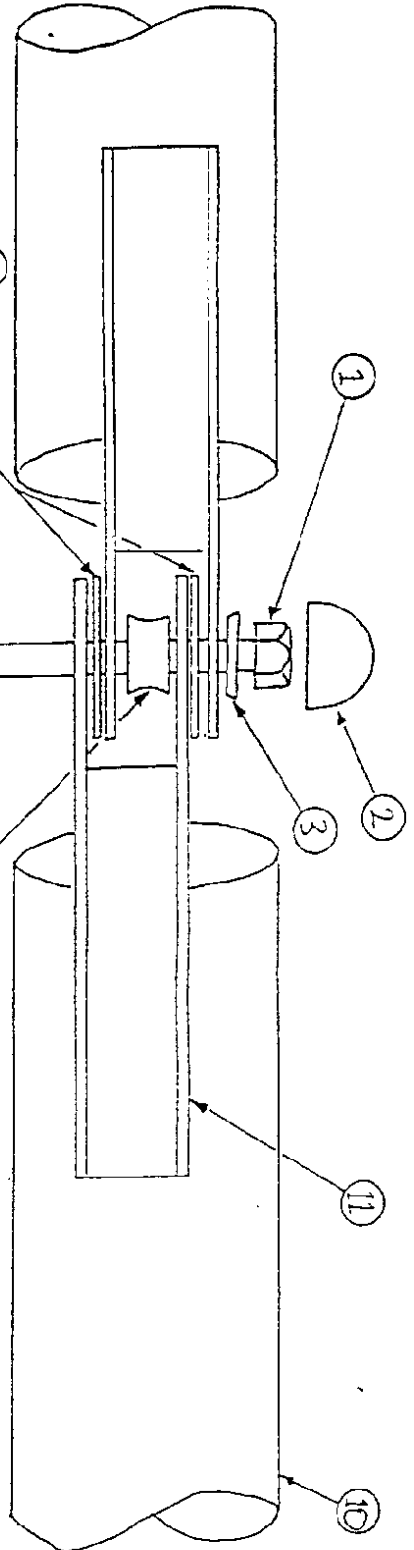
REV	DATE	BY	CHKD	DESCRIPTION
1	10/10/58	WJL	WJL	INITIAL DESIGN
2	11/10/58	WJL	WJL	REVISED DESIGN
3	12/10/58	WJL	WJL	REVISED DESIGN
4	1/10/59	WJL	WJL	REVISED DESIGN
5	2/10/59	WJL	WJL	REVISED DESIGN
6	3/10/59	WJL	WJL	REVISED DESIGN
7	4/10/59	WJL	WJL	REVISED DESIGN
8	5/10/59	WJL	WJL	REVISED DESIGN
9	6/10/59	WJL	WJL	REVISED DESIGN
10	7/10/59	WJL	WJL	REVISED DESIGN
11	8/10/59	WJL	WJL	REVISED DESIGN
12	9/10/59	WJL	WJL	REVISED DESIGN
13	10/10/59	WJL	WJL	REVISED DESIGN
14	11/10/59	WJL	WJL	REVISED DESIGN
15	12/10/59	WJL	WJL	REVISED DESIGN
16	1/10/60	WJL	WJL	REVISED DESIGN
17	2/10/60	WJL	WJL	REVISED DESIGN
18	3/10/60	WJL	WJL	REVISED DESIGN
19	4/10/60	WJL	WJL	REVISED DESIGN
20	5/10/60	WJL	WJL	REVISED DESIGN

APPENDIX

10/10/58 10/10/58



SHEET 1 OF 2



Drawing No. SW-89026

MASTER 2 YELLOW

ITEM	DESCRIPTION	STOCK REF.	QTY
1	2 1/2 x 1/4" WSP HEX BOLT (HEAVY-DUTY)	FB04-24	1
2	SNIPPY CAP	PMC-RSC6	2
3	BROWN SKIFFY RINGS	FMCS-06	7
4	NYLON WASHERS	FMDF-001	2
5	TRIP-4 WASHER	FM4-14	12
6	CROSS SPAR RULLEY	RP-5	1
8	1/2" ONE THIRD NYLON WSP	FMV4-NT	8
9	PLASTIC CAP	FCP9-001	1
10	CROSS SPAR - RIGHT HAND	FRH-31900	1
11	CROSS SPAR - LEFT HAND	ZMS-1EA	2
12	2 1/2 x 1/2" HEX BOLT	FE04-22	4
13	1 1/2" T.S.L.P. WASHER	FV4-T3	1
14	5/16" W/STEEL WASHER TYPE	FW5-T7	1
15	RUNNER ALL WSP RULER	ZMA-016	1
16	GLACIER DASH BEARING	GEA-G3-1	1
17A	CROSS SPAR - LEFT HAND	FRH-31700	1

REV	INITIAL ISSUE	DATE	APPROVED
A		6/9/47	

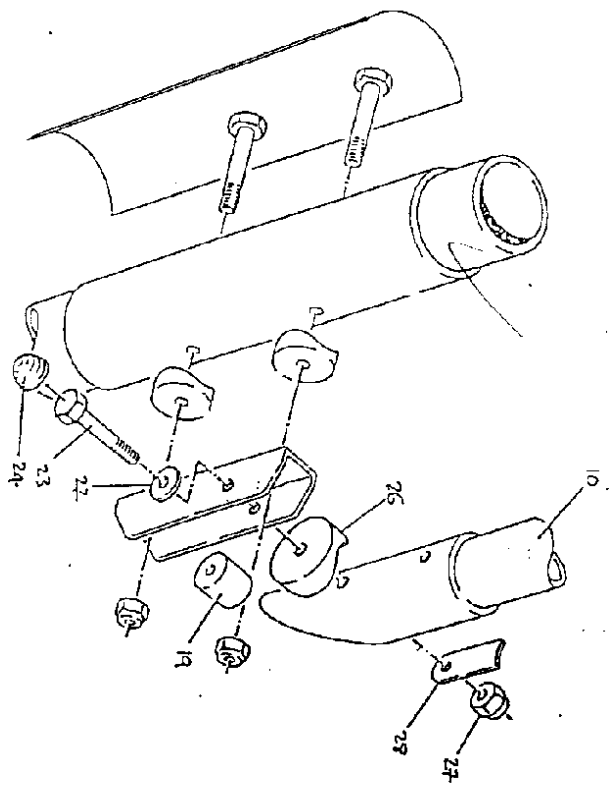
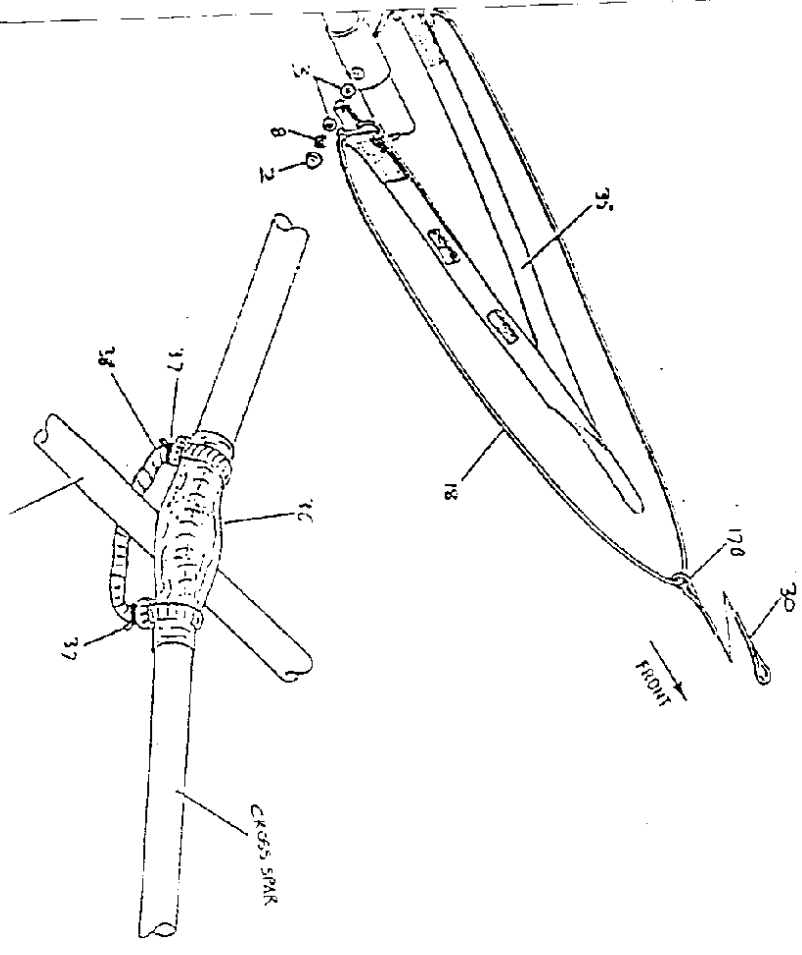
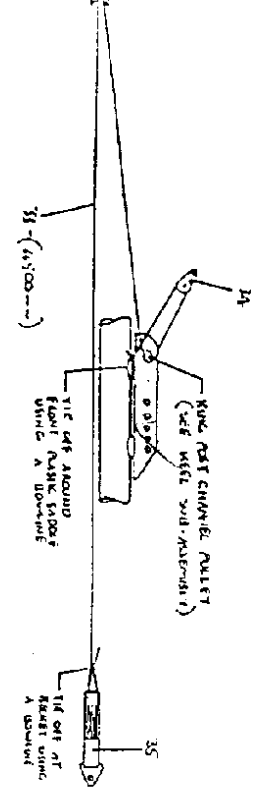
DESIGNED	DATE	NAME	SCALE	NTS	JIG NO.
Drawn	6/9/47	TEARBE			
Approved					
Checked					

COMPANY	ADDRESS	TELEPHONE
SOLAR WINGS AVIATION LTD	ELM TREE PARK WANTYR HAREBOROUGH MILTON KEYNES MK8 1PS TEL: 0672 48374	

Drawing No. SW-89026

PART NO. 741-1100		SPAR SUB-ASSEMBLY	
REV	DATE	BY	CHKD
1		W. J. GIBSON	
2		W. J. GIBSON	
3		W. J. GIBSON	
4		W. J. GIBSON	
5		W. J. GIBSON	
6		W. J. GIBSON	
7		W. J. GIBSON	
8		W. J. GIBSON	
9		W. J. GIBSON	
10		W. J. GIBSON	
11		W. J. GIBSON	
12		W. J. GIBSON	
13		W. J. GIBSON	
14		W. J. GIBSON	
15		W. J. GIBSON	
16		W. J. GIBSON	
17		W. J. GIBSON	
18		W. J. GIBSON	
19		W. J. GIBSON	
20		W. J. GIBSON	
21		W. J. GIBSON	
22		W. J. GIBSON	
23		W. J. GIBSON	
24		W. J. GIBSON	
25		W. J. GIBSON	
26		W. J. GIBSON	
27		W. J. GIBSON	
28		W. J. GIBSON	
29		W. J. GIBSON	
30		W. J. GIBSON	
31		W. J. GIBSON	
32		W. J. GIBSON	
33		W. J. GIBSON	
34		W. J. GIBSON	
35		W. J. GIBSON	
36		W. J. GIBSON	
37		W. J. GIBSON	
38		W. J. GIBSON	
39		W. J. GIBSON	
40		W. J. GIBSON	
41		W. J. GIBSON	
42		W. J. GIBSON	
43		W. J. GIBSON	
44		W. J. GIBSON	
45		W. J. GIBSON	
46		W. J. GIBSON	
47		W. J. GIBSON	
48		W. J. GIBSON	
49		W. J. GIBSON	
50		W. J. GIBSON	
51		W. J. GIBSON	
52		W. J. GIBSON	
53		W. J. GIBSON	
54		W. J. GIBSON	
55		W. J. GIBSON	
56		W. J. GIBSON	
57		W. J. GIBSON	
58		W. J. GIBSON	
59		W. J. GIBSON	
60		W. J. GIBSON	

SHEET 2 OF 2



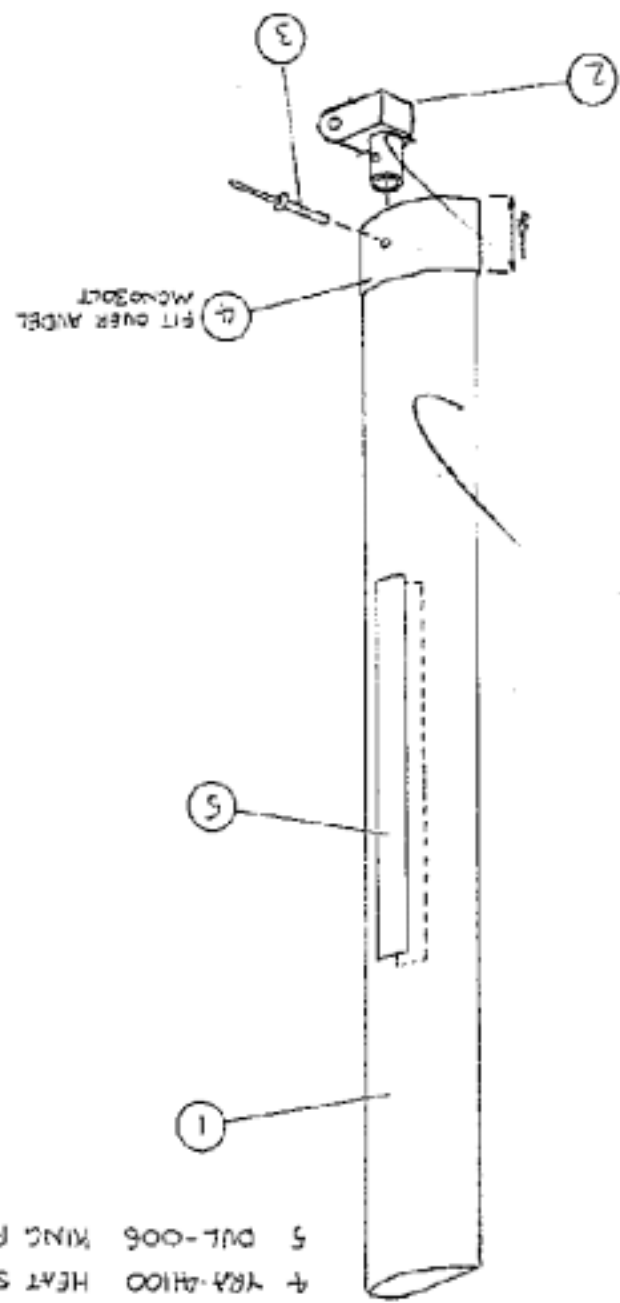
MASTER IN YELLOW

LEADING EDGE TO CROSS SPAR ASSEMBLY

Item	Part No.	Description	Quantity	Demink No.
178	GEN-001	BRASS SPAR TIGHTENER	1	
18	UNR-001	NO. 10 B FLAT ANTILOD CORD	1	
14	Z53-001	ACE LEADING EDGE CHANNEL SPACER	1	
20	FWSS-3	RESISTANT STOOD TYPE?	1	SW-40181
21				
22	PNC-553	8 mm SLITTY RING ONLY	2	
23	PAUS-24	2-1/2" x 5/16" UNF HEX. BOLT	2	
24	PNC-35C4	8 mm Raised Slitly - cap only	2	
25	FRK-001	SAFETY RING	2	
26	PA5-16-12	2-1/2" x 1/4" PLASTIC SADDLE	2	
27	PAUS-19	5/16" UNF B TYPE CYLINDER NUT	2	
28	Z53-01E	RILL BAND SPACER 3 TYPE	2	SW-57155
29	RF-15	NUTS	1	
30	AVCS-001	3-1/4" SHOCK CORD	1	
31				
32				
33	VPK-001	UNO 4mm x 1/4" FLAT CORD	1	
34	RF-14	MARKED ETC UNLINE 14	1	
35	RF-11	RESISTANT CORD	1	
36	VPK-001	UNO 4mm x 1/4" FLAT CORD	1	

37068-MS		NAME	DATE	TEL: 0522 95378
DRAWING NO.		CHECKED		SWB 125
SS	DESCRIPTION OR REF. DATE	APPROVED		WILTSHIRE
A	INITIAL ISSUE			MANTON
	1/8/73			ELM TREE PARK
				SOLAR WINGS LTD
				6/8/73 T. CLARK

KING POST SUB-ASSEMBLY
YRC-4000 FORMER 2/3



- | | | | | |
|---|------------|-------------------------|---|-----|
| 1 | YRC-4000 | KING POST | 1 | SWB |
| 2 | ZMA-036 | KING POST FOOT | 1 | SWB |
| 3 | FR6-12-002 | 3/16" DIAMETER X 3/8" L | 1 | |
| 4 | YRC-4100 | HEAT SHRINK | 1 | |
| 5 | DUL-006 | KING POST STICKER | 2 | |
- WEDGE BOLT

