



SCANDAL

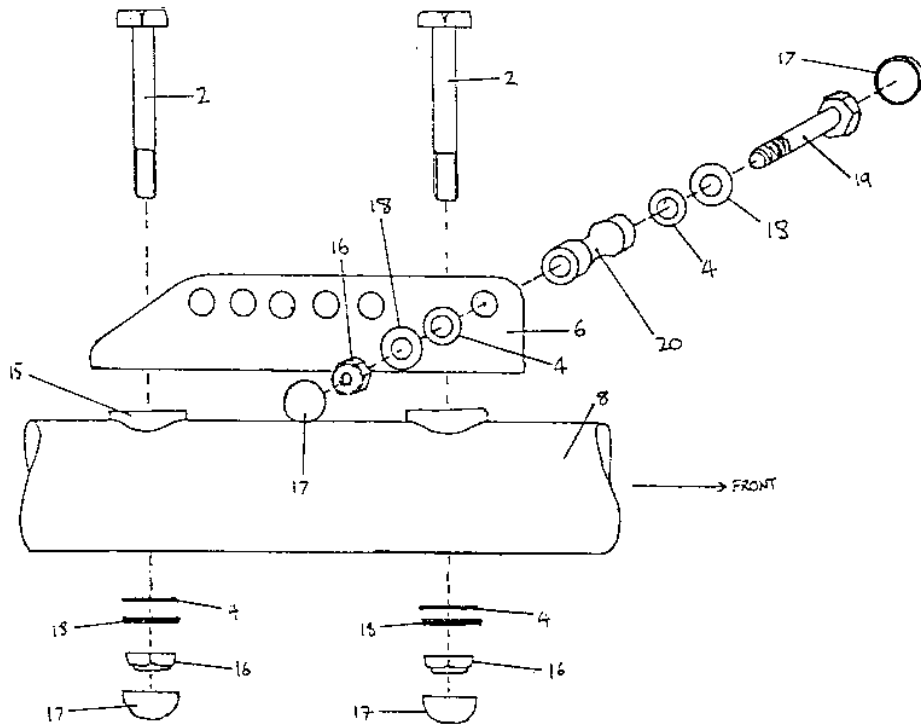
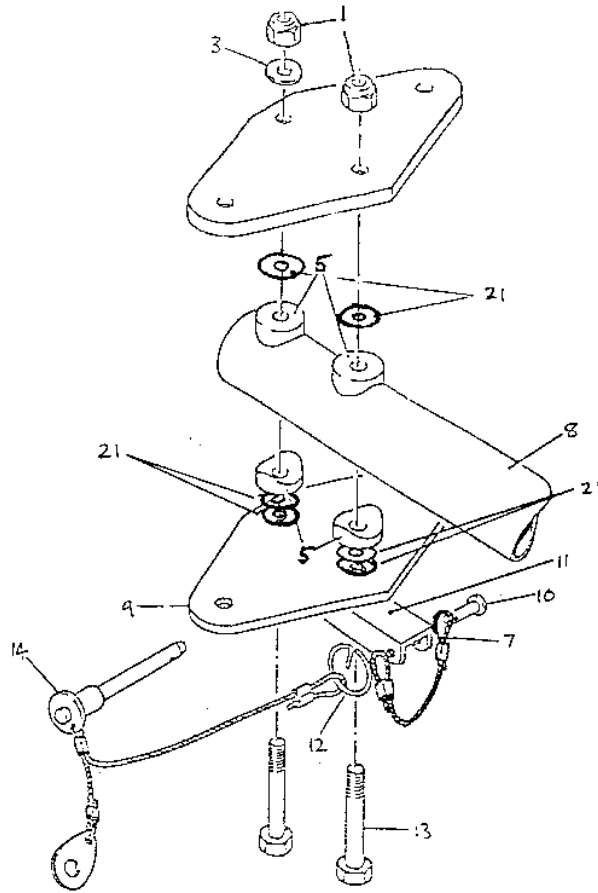
Parts Catalogue

Cyclone Airsports Ltd trading as Pegasus Aviation
Elm Tree Park, Manton, Marlborough, Wiltshire. UK
Telephone +44 (0) 1672 861578 Fax +44 (0) 1672 861550
www.pegasusaviation.co.uk email - parts@pegasusaviation.co.uk

Keel Assembly

Item	Part Number	Description	Qty
1	FNU4-NT	1/4" T-type nyloc nut	2
2	FBM6-60	M6 x 60 mm hex bolt	2
3	FW4-T4	1/4" T4LP washer	1
4	FW4-T3	1/4" T3LP washer	4
5	PMS-M8-17	1 7/8- M8 plastic saddle	4
6	ZCH-016	King post channel	1
7	YRA-61500	Nose hand loop	1
8	YSC-3100	12.4 Keel tube	1
	YSC-3101	13.6 Keel tube	1
	YSC-3102	14.4 Keel tube	1
9	ZPL-003	Nose plate	2
10	FPCP-001	1/4 x 1/16 steel clevis pin	1
11	ZCH-006	Nose catch channel	1
12	FPSR-001	5/8 safety ring	1
13	FBU4-30	1/4 " UNF x 30mm hex bolt	9
14	FP-001	22 mm push pin	1
15	PMS-M8-21S	2 1/8 x M8 plastic saddle	2
16	FNM6-NT	M6 T-type nyloc nut	2
17	PMC-RSC6	6 mm raised skiffy cap	2
18	PMC-SB6	6 mm skiffy ring	2
19	FBM6-35	M6 3 5 mm hex bolt	1
20	ZMA-038	King post channel pulley	1
21	FWP-002	10.5 312mm nylon washer	6

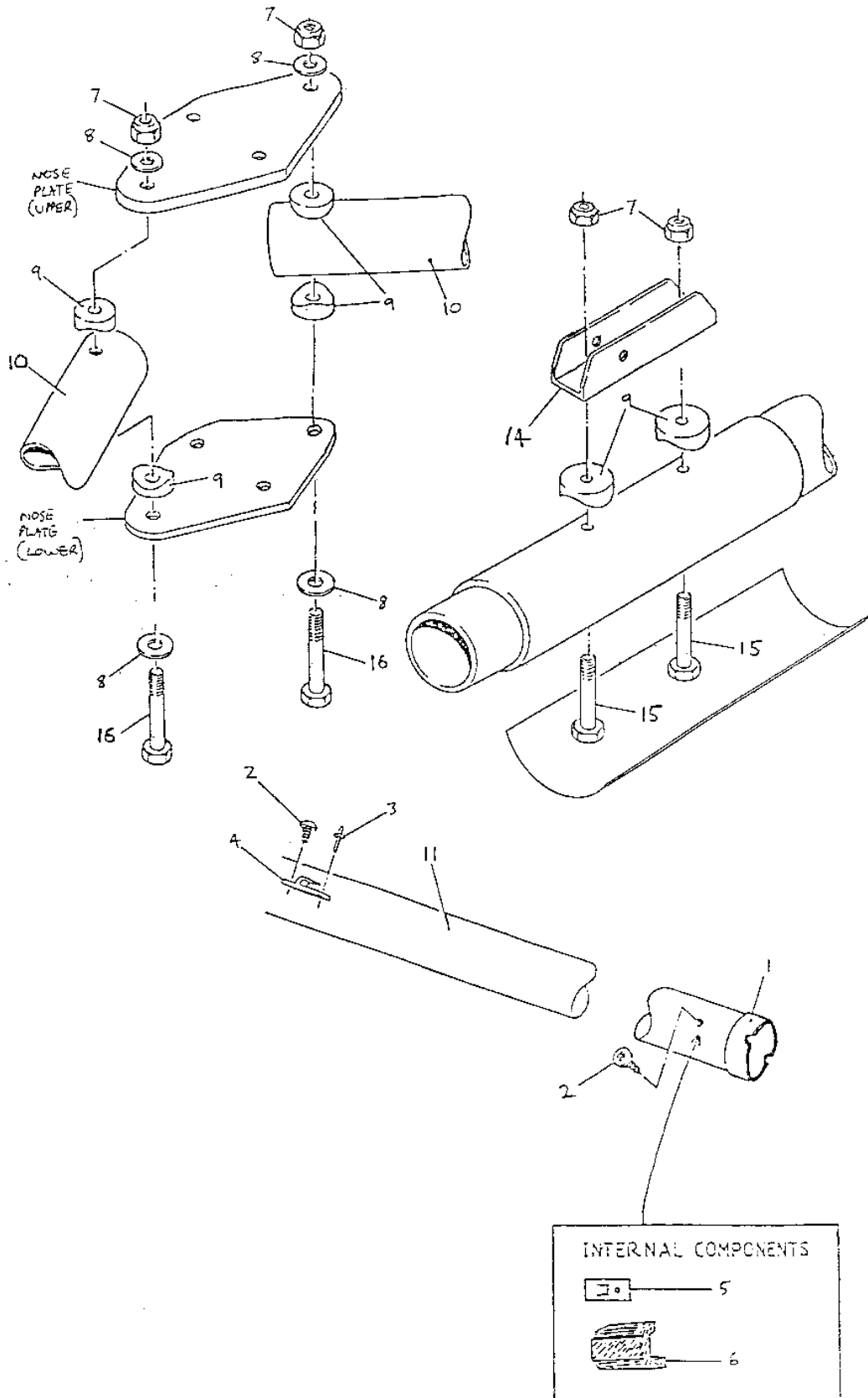
Scandal Keel Assembly



Leading Edge Assembly

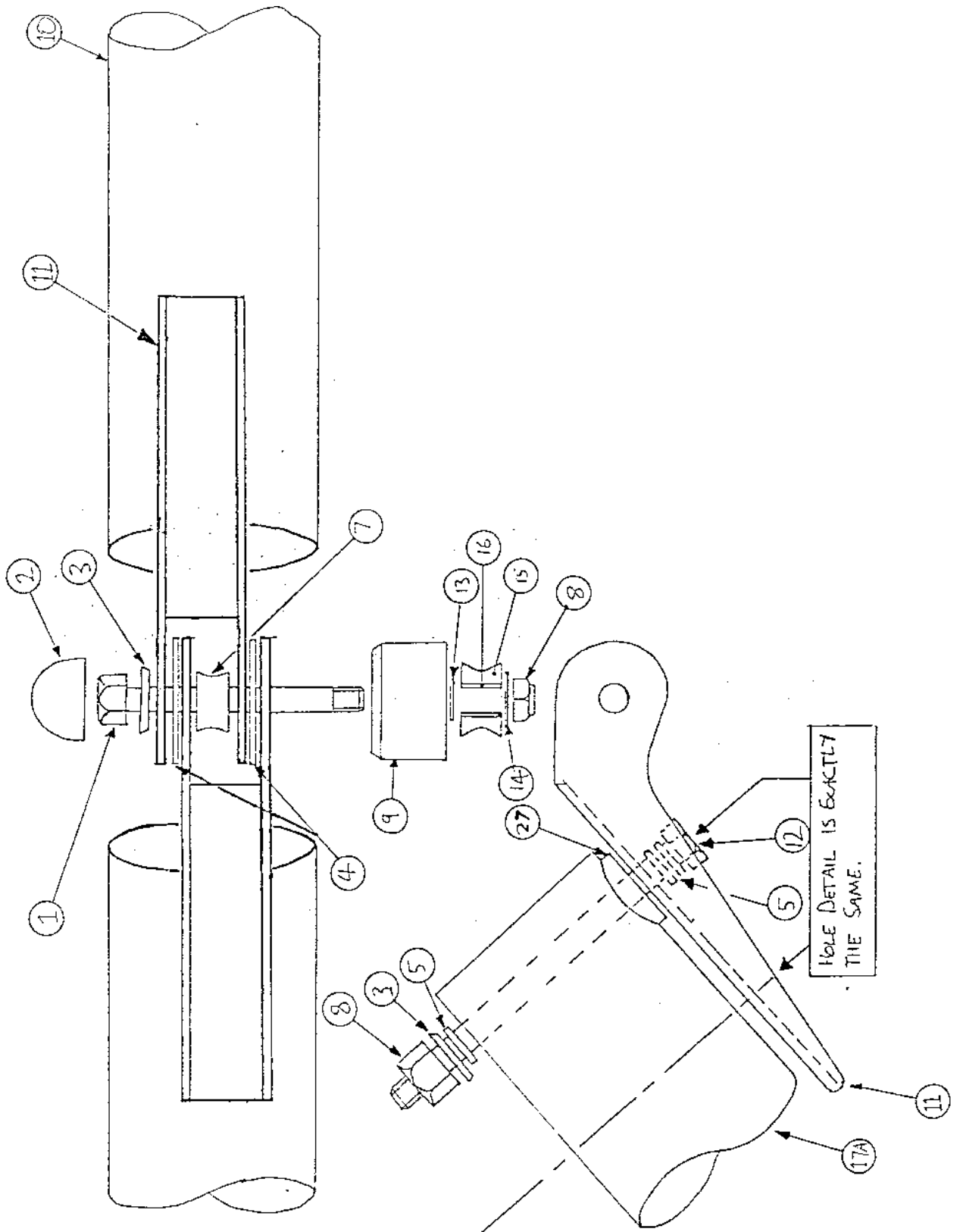
Item	Part Number	Description	Qty
1	ZMA-128	Tip turn adjuster	2
2	FMSST-001	No. 12 x 1/4" pan head screw	4
	FR4-16-001	1/8" x 12 aluminium pop rivet	2
4	PMM-005	67 mm nylon jam cleat	2
5	FNX-002	No. 12 U-type spire nut	2
6	PTM19-001	22mm. x 13 mm pipe insulation tube	2
7	FNU4-NP	1/4" P-type nyloc nut	6
8	FW4-T4	1/4" T4LP washer	4
9	PMS-M8-17	1 7/8 x M8 plastic saddle	8
10	YSC-5120	12.4 Leading edge inner	2
	YSC-5124	13.6 Leading edge inner	2
	YSC-5125	14.4 Leading edge inner	2
11	YSC-5111	Leading edge outer (right hand)	1
12	YSC-5101	Leading edge outer (left hand)	1
	YSC-5121	12.4 Leading edge sleeve	2
	YSC-5122	13.6 Leading edge sleeve	2
	YSC-5123	14.4 Leading edge sleeve	2
14	ZCH-003	Leading edge channel	2
15	FBU4-26	2 3/4 x 1/4" UNF hex. bolt	4
16	FBA4-27	AN4-27 A/C hex bolt	2
	YSC-5100	12.4 Leading edge complete (left hand)	1
	YSC-5101	13.6 Leading edge complete (left hand)	1
	YSC-5102	14.4 Leading edge complete (left hand)	1
	YSC-5110	12.4 Leading edge complete (right hand)	1
	YSC-5111	13.6 Leading edge complete (right hand)	1
	YSC-5112	14.4 Leading edge complete (right hand)	1

Scandal Leading Edge Assembly

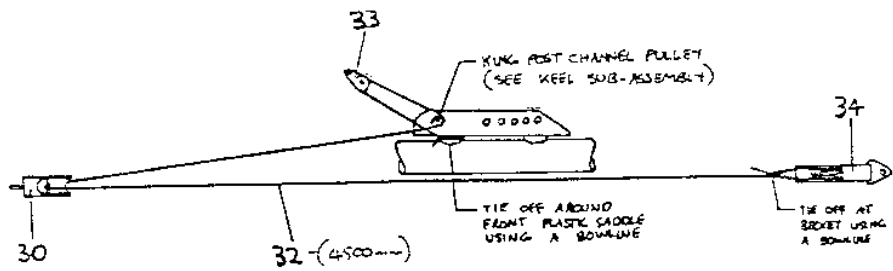
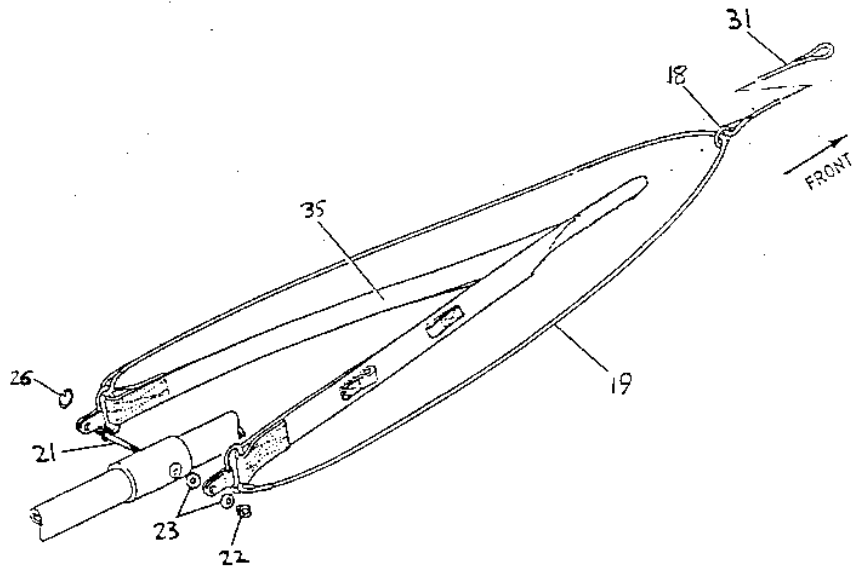
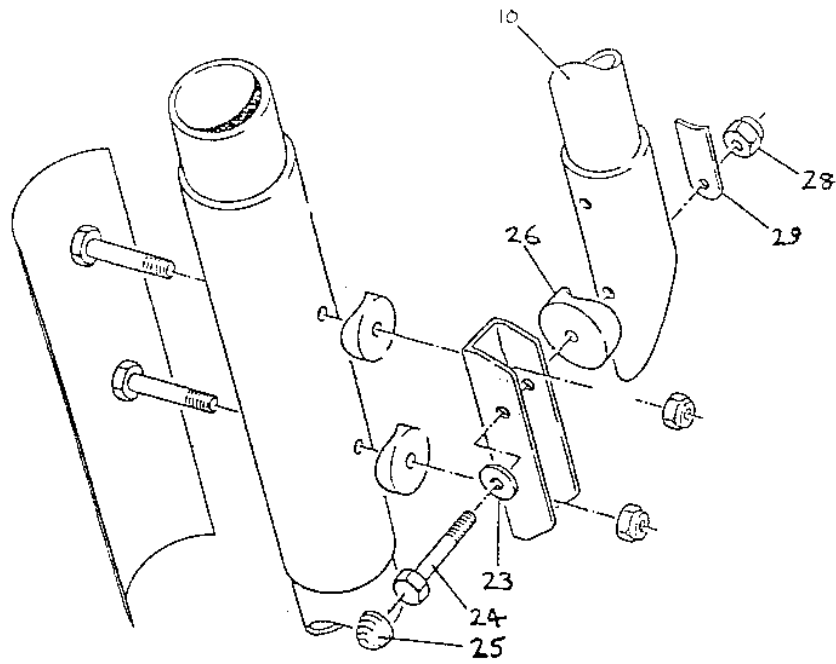


Cross Tube Assembly

Item	Part Number	Description	Qty
1	FBU4-24	2 ½ x 1/4" hex bolt	1
2	PMC-RSC6	6mm raised skiffy cap	5
3	PMC-SB6	6 mm skiffy ring	5
4	FWP-001	6.5 mm x 22.25 nylon washer	2
5	FW4-T4	1/4 T4LP washer	8
6	ZSP-039	X-spar spacer	1
7	RP-5	Plastic sheave	1
8	FNU4-NT	1/4 T-type Nyloc nut	5
9	PEP6-001	3/4 black end plug	1
10	YSC-4100	12.4 Cross tube (left hand)	1
	YSC-4101	13.6 Cross tube (left hand)	1
	YSC-4102	14.4 Cross tube (left hand)	1
11	YSC-4110	12.4 Cross tube (right hand)	1
	YSC-4111	13.6 Cross tube (right hand)	1
	YSC-4112	14.4 Cross tube (right hand)	1
12	ZMS-160	Cross spar pivot channel	2
13	FBU4-30	30 x 1/4" UNF hex bolt	4
14	FW4-T3	1/4" T3LP washer	1
15	FW5-T3	5/16" T3LP washer	11
16	ZMA-016	VB. pulley	1
17	BEA-GB-1	DU bush bearing	1
18	GEN-0G	Eyelet nickel spur	1
19	VNR-BL3	3 mm hibrite nylon cord	1
21	FMSS-3	Restraint stud	2
22	FNU4-NT	V4" T-type nyloc nut	1
23	PMC-SB8	8mm skiffy ring	1
24	FBU5-24	2 1/2- x 1/16" hex bolt	2
25	PMC-SC8	8mm skiffy cap	2
26	FPSR-001	5/8), safety ring	2
27	PMS-M8-22	2 1/4" x M8 plastic saddle	2
28	FNU5-NP	1/16" UNF nyloc nut	6
29	ZSP-026	Half round spacer	2
30	RP-15	Brass pulley	2
31	VSC3-001	Shock cord	1
32	VPR4-001	4mm 8-plait poly rope	1
33	RP-13	Brass sheave pulley	1
34	YSC-4200	12.4 Restraint webbing	1
	YSC-4201	13.6/14.4 Restraint webbing	1
35	YRA-31803	Cross spar boot	1
36	HTW-002	Cable tie (black small)	1
37	YRA-31801	Anti float webbing	1



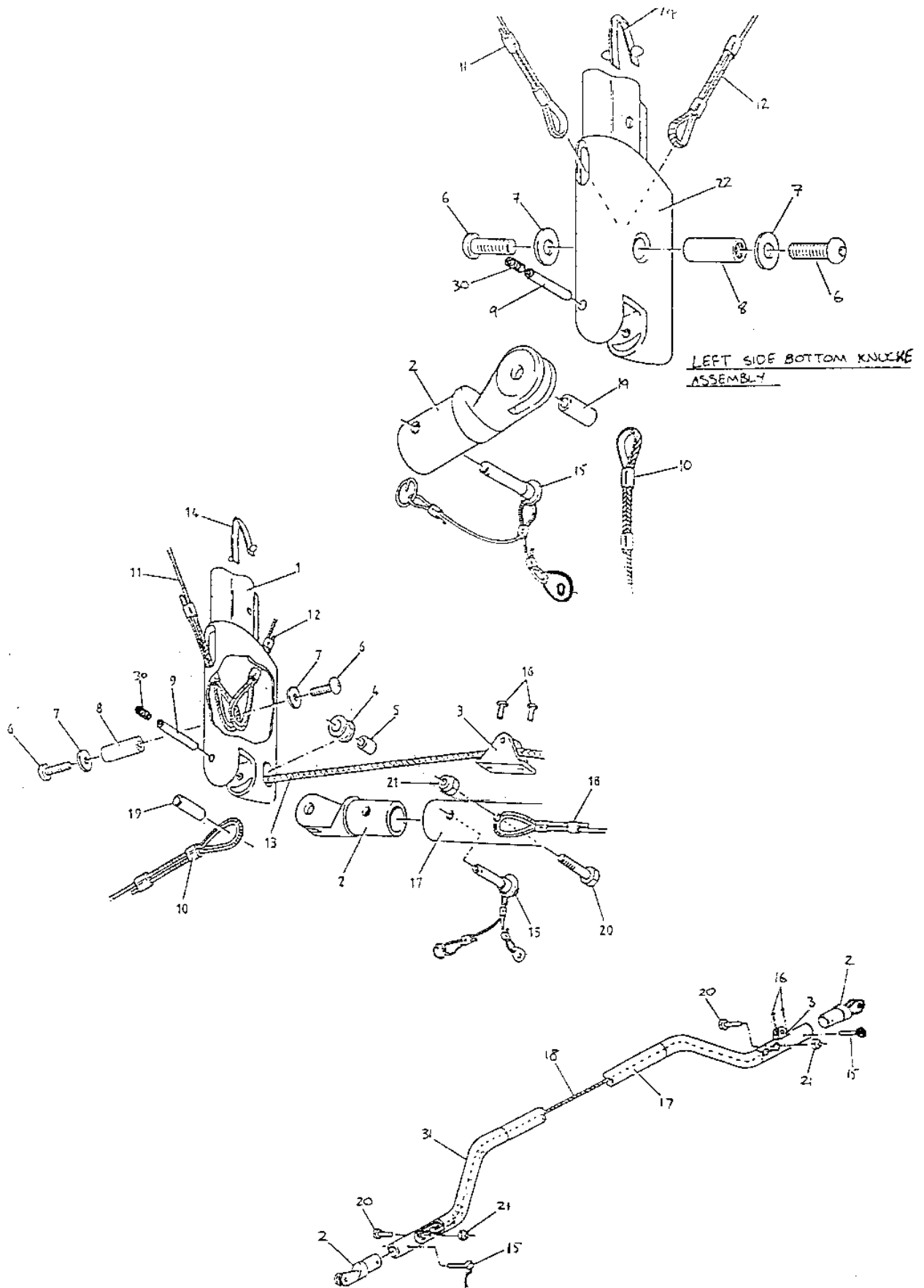
Scandal Cross Spar Assembly



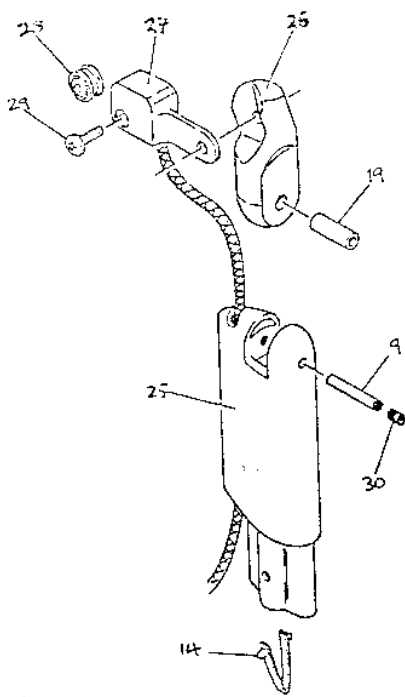
Control Frame Assembly

Item	Part Number	Description	Qty
1	ZKN-118	Control frame lower casting (right hand)	1
2	ZKN-114	Base bar knuckle	2
3	RM-2	6mm lance cleat	1
4	ZMA-016	VB pulley	1
5	BEA-GB-1	DU bush bearing	1
6	FMSU-001	10 UNF 3/8 button head screw	4
7	FW3-T3	3/16 T3LP washer	4
8	FNX-001	Thread connector	2
9	ZMS-156	Control frame hinge pin	4
10	YSC-7220	12.4 Lower side rigging	2
	YSC-7221	13.6 Lower side rigging	2
	YSC-7222	14.4 Lower side rigging,	2
11	YSC-7200	12.4 Lower front rigging	1
	YSC-7201	13.6 Lower front rigging	1
	YSC-7202	14.4 Lower front rigging	1
12	YSC-7210	12.4 Lower rear rigging	1
	YSC-7211	13.6 Lower rear rigging	1
	YSC-7212	14.4 Lower rear rigging	1
11	VNR-BL3	3 mm hibrite cord	1
14	FPBP-001	Double button clip	4
15	FP-002.	3min push pin	2
16	FR4-12-001	1/8 x 3/8 pop rivet	2
17	YSC-51205	Speed bar	1
18	YRE-61400	Speed bar cable	1
19	ZMP-0I5	Knuckle pivot bearing	2
20	FBU4-14	1 1/2" x 14" UNF hex bolt	2
21	FNU4-NP	1/4" P-type nyloc nut	2
22	ZKN-117	Control frame lower casting (left hand)	1
24	ZMA-013	Rubber back top knuckle	1
25	ZNK-116	Control frame upper casting	2
26	ZMA-014	Control frame swivel (VG)	1
27	ZMA-018	VB pulley block	1
28	RP-10	Micro block	1
29	FMBS4-15	Brass pan head screw	1
31	PMM-009	Base bar grip	2
32	ZMA-001	Nose catch	1
34	RS-2	5mm strip shackle	1
36	RP-8	Triple block pulley	1
37	RP-9	Double block pulley and bracket	1
39	YSC-51000	12.4 Upright	2
	YSC-51001	13.6 Upright	2
	YSC-51002	14.4 Upright	2

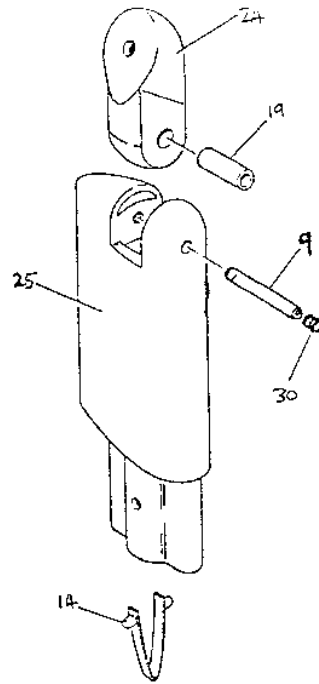
Scandal Control Frame Assembly



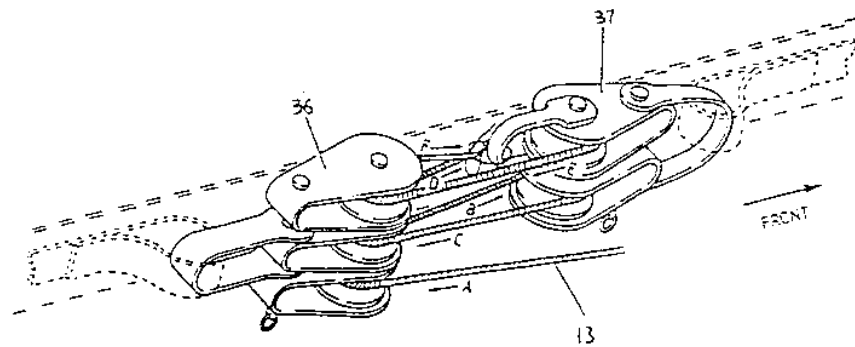
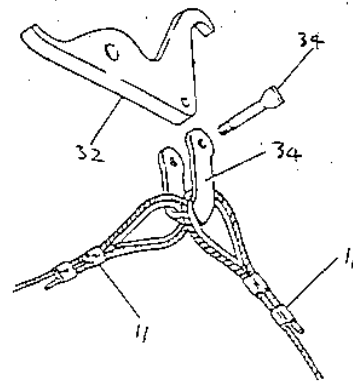
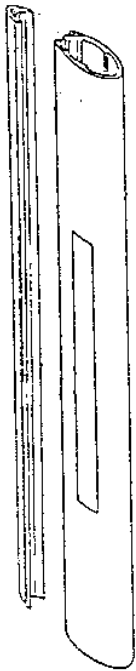
Scandal Control Frame Assembly



RIGHT HAND SIDE TOP KNUCKLE



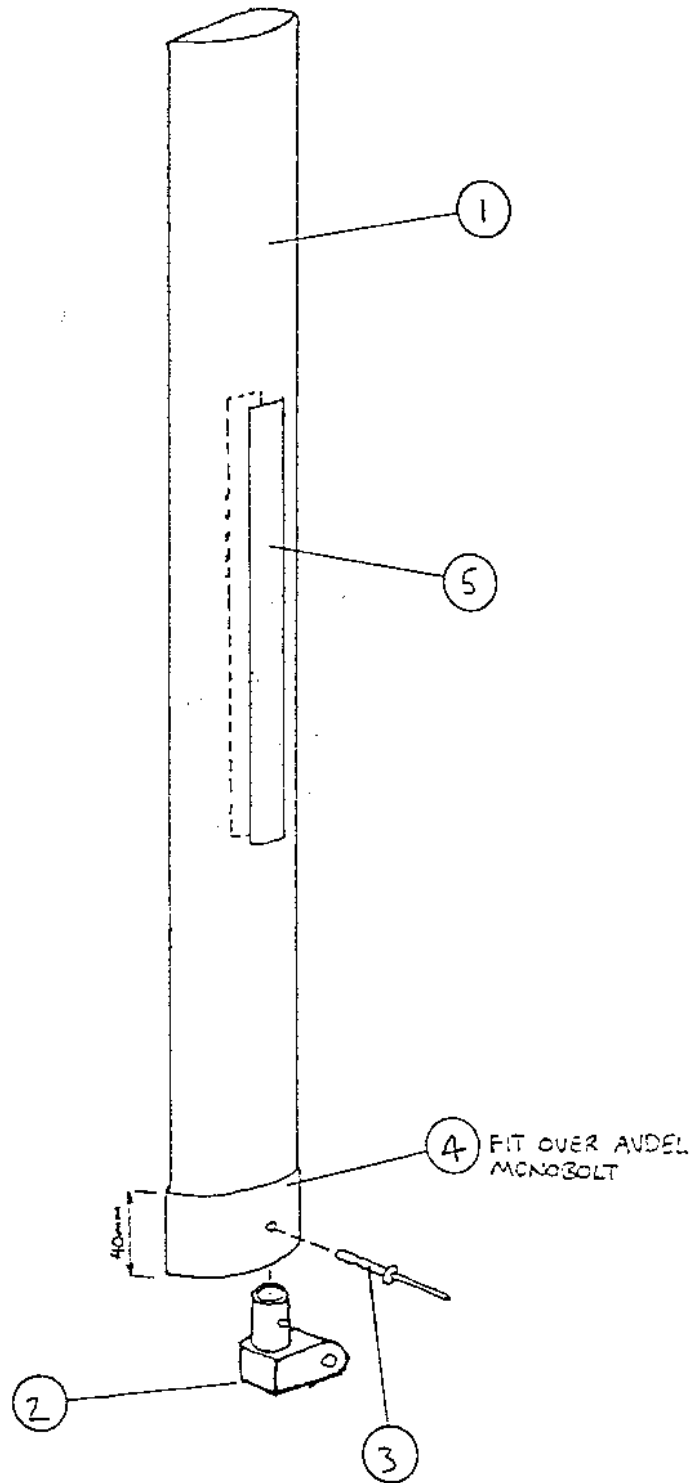
LEFT HAND SIDE TOP KNUCKLE ASSEMBLY



King Post Assembly

Item	Part Number	Description	Qty
1	YSC-6100	12.4 King post	1
	YSC-6101	13.6 King post	1
	YSC-6102	14.4 King post	1
2	ZMA-036	King post foot	1
3	FR6-12-002	3/16 dia x 3/8 rivet	1
4	PHSA-001	Adhesive heat shrink	1
5	DLV-006	King post sticker	2

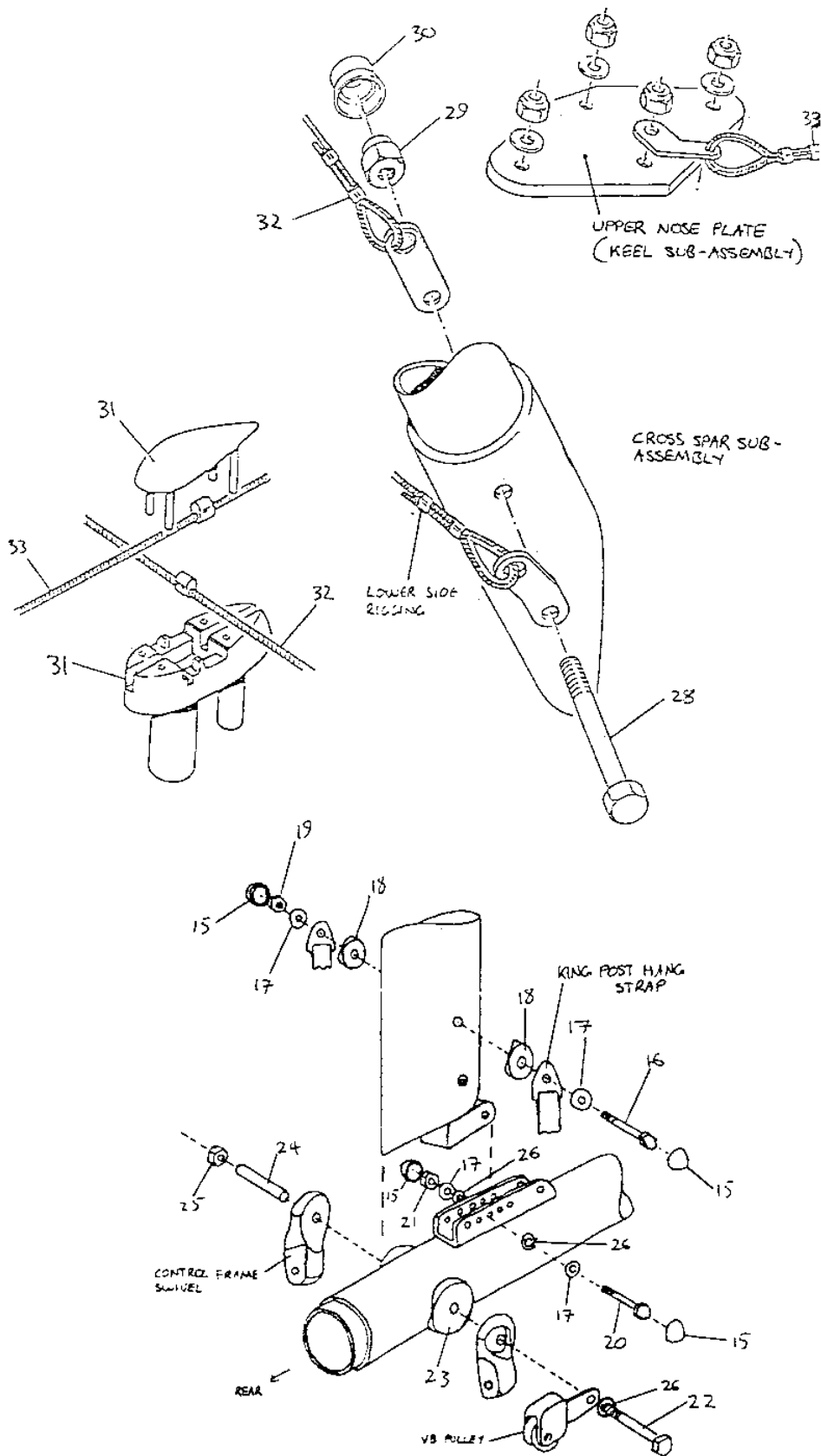
Scandal King Post Assembly



Final Assembly

Item	Part Number	Description	Qty
1	PMC-SB6	6 mm skiffy ring	2
2	FBU4-22	2 1/4" x 1/4" hex bolt	1
	PMC-RSC6	6 mm raised skiffy cap	2
4	YSC-8210	12.4 Upper rear rigging	1
	YSC-8211	13.6 Upper rear rigging	1
	YSC-8212	14.4 Upper rear rigging	1
5	FNU4-NT	1/4" T-type nyloc nut	1
6	YSC-9000	12.4 Main sail	1
	YSC-9001	13.6 Main sail	1
	YSC-9002	14.4 Main sail	1
7	YSC-8350	Nose cone	1
8	YSC-8310	12.4 Sail mylar inserts	2
	YSC-8301	13.6 Sail mylar inserts	2
	YSC-8302	14.4 Sail mylar inserts	2
9	FMSST-002	No. 12 x 1" counter sunk screw	3
10	FMS6-25	M6 x 25min counter sunk slotted screw	4
11	ZSP-006	Eyelet spacer	6
13	YSC-8399	12.4 Batten set	1
	YSC-8400	116/14.4 Batten set	1
15	PMC-RSC6	6min raised skiffy cap	4
16	FBU4-16	1 3/4 x 1/4 UNF hex bolt	1
17	PMC-SB6	.6nim skiffy ring	4
18	PMS-M8-21S	2 1/8 x M8 plastic saddle	2
19	FNU4-NT	1/4" T-type nyloc nut	1
20	FMB6-35	M6 x 35mm hex bolt	1
21	FNM6-NT	M6 T-type nyloc nut	1
22	FBA4-33A	AN4-33A A/C hex bolt	1
23	PMS-M8-17	1 7/8 x M8 plastic saddle	2
24	ZSP-040	Steel keel bush	1
25	FNU4-NP	1/4" P-type nyloc nut	1
26	FW4-T3	1/4" T3LP washer	3
28	FBU4-30	3 x 1/4" UNF hex bolt	1
29	FNU4-NP	1/4" P-type nyloc nut	1
30	PMC-NC4	1/4" plastic nut cap	1
31	PMM-002	Aerofoil king post cap	1
32	YSC-8220	12.4 Upper side rigging	1
	YSC-8221	13.6 Upper side rigging	1
	YSC-8222	14.4 Upper side rigging	1
33	YSC-8200	12.4 Upper front rigging	1
	YSC-8201	13.6 Upper front rigging	1
	YSC-8202	14.4 Upper front rigging	1

Scandal Final Assembly



Scandal Final Assembly

