



# SCANDAL XK-R & XK Parts Catalogue

Cyclone Airsports Ltd trading as Pegasus Aviation  
Elm Tree Park, Manton, Marlborough, Wiltshire. UK  
Telephone +44 (0) 1672 861578 Fax +44 (0) 1672 861550  
[www.pegasusaviation.co.uk](http://www.pegasusaviation.co.uk) email - [parts@pegasusaviation.co.uk](mailto:parts@pegasusaviation.co.uk)

## Contents

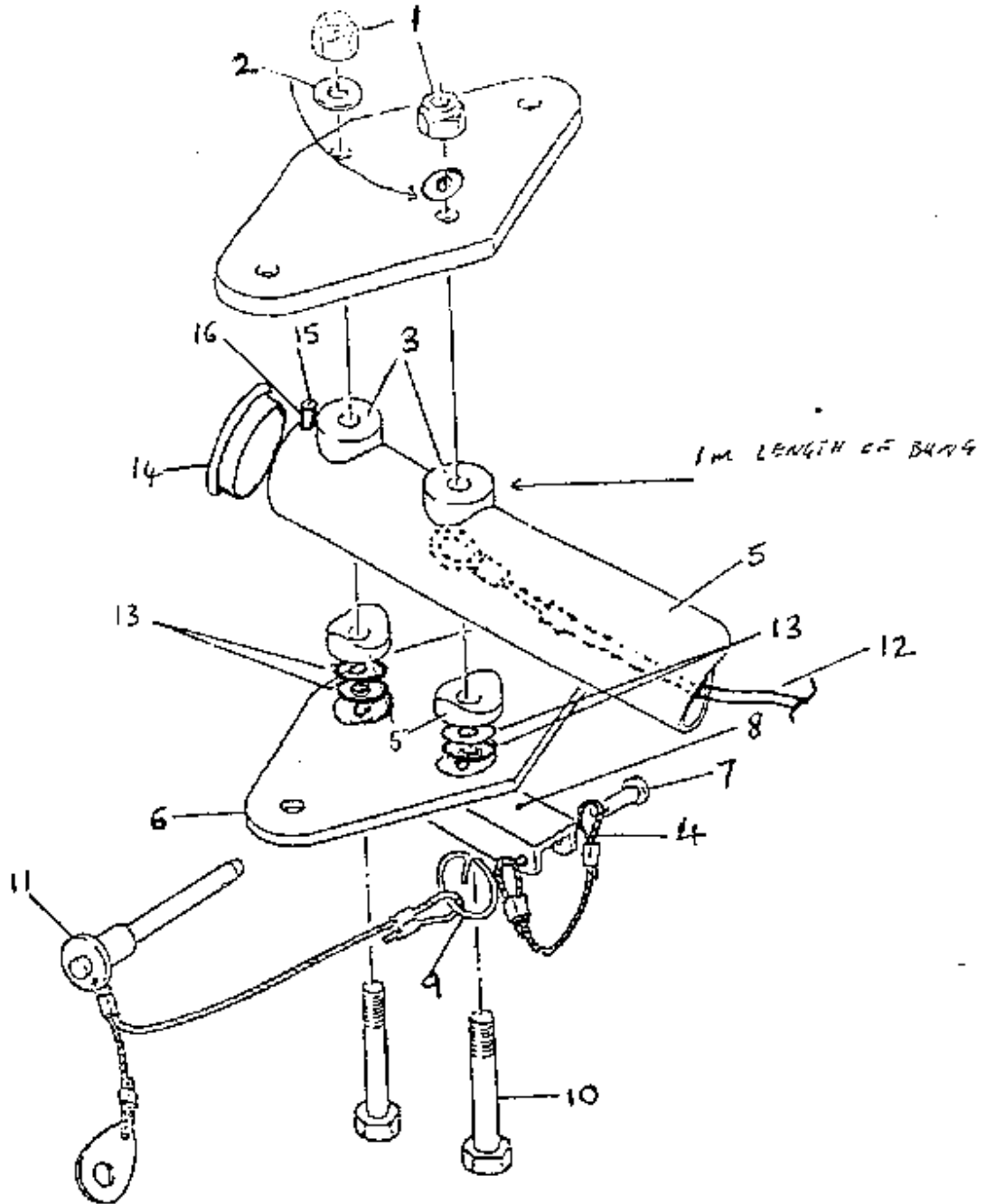
Keel Assembly	3
Leading Edge Assembly	5
Cross Spar Assembly	7
Control Frame Assembly	11
Final Assembly	15
Option 1 - Adjustable tips	20
Miscellaneous	21

## Keel Assembly

Item	Part Number	Description	Qty
1	FNU4-NT	1/4" T-type nyloc nut	3
2	FW4J4	1/4" T4LP washer	2
3	PIVIS-M8-17	1 7/8 M8 plastic saddle	4
4	YRA-61500	Nose hand loop	1
5	YXK-3101	13.6 Keel tube (XK and XK-R)	1
	YXK-3102	14.4 Keel tube (XK)	1
	YXK-3104	14.4 Keel tube (XK-R)	1
6	ZPL-003	Nose plate	2
7	FPCP-001	1/4 x 3/16 steel clevis pin	1
8	ZCH-006	Nose catch channel	1
9	FPSR-001	5/8" safety ring	1
10	FBU4-30	1/4" UNF * 30mm hex bolt	2
11	FP-001	22mm push pin	1
12	YXK-8331	13.6 Keel Wire	1
	YXK-8332	14.4 Keel Wire	1
13	FWP-002	10.5 * 32mm nylon washer	6
14	PEP14-002	Plastic end cap	2
15	FR4-16-001	1/8 x 1/2 Ally pop rivet	1
16	PMM-001	Nylon Spacer	1

NB. IF A NEW KEEL (PART NO. YXK-3101/3102/3104) IS ORDERED, AN END PLUG KIT (PART NO. YXK-3103, CONTAINING ITEMS 14 AND 15) IS ALSO REQUIRED.

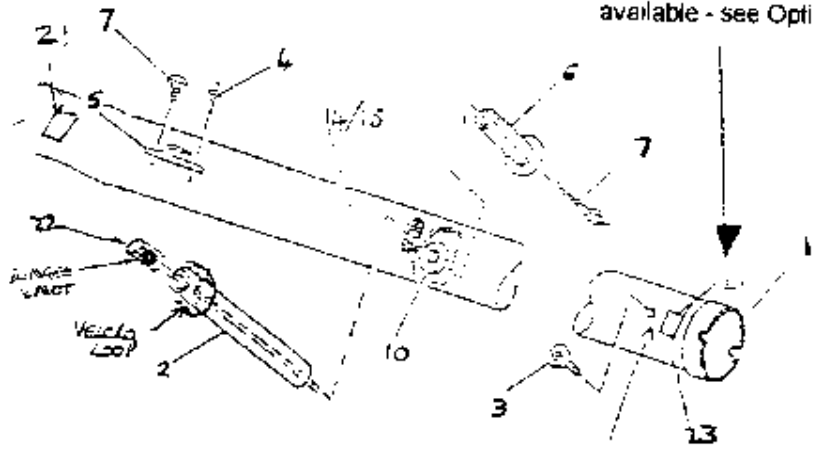
# Keel Assembly



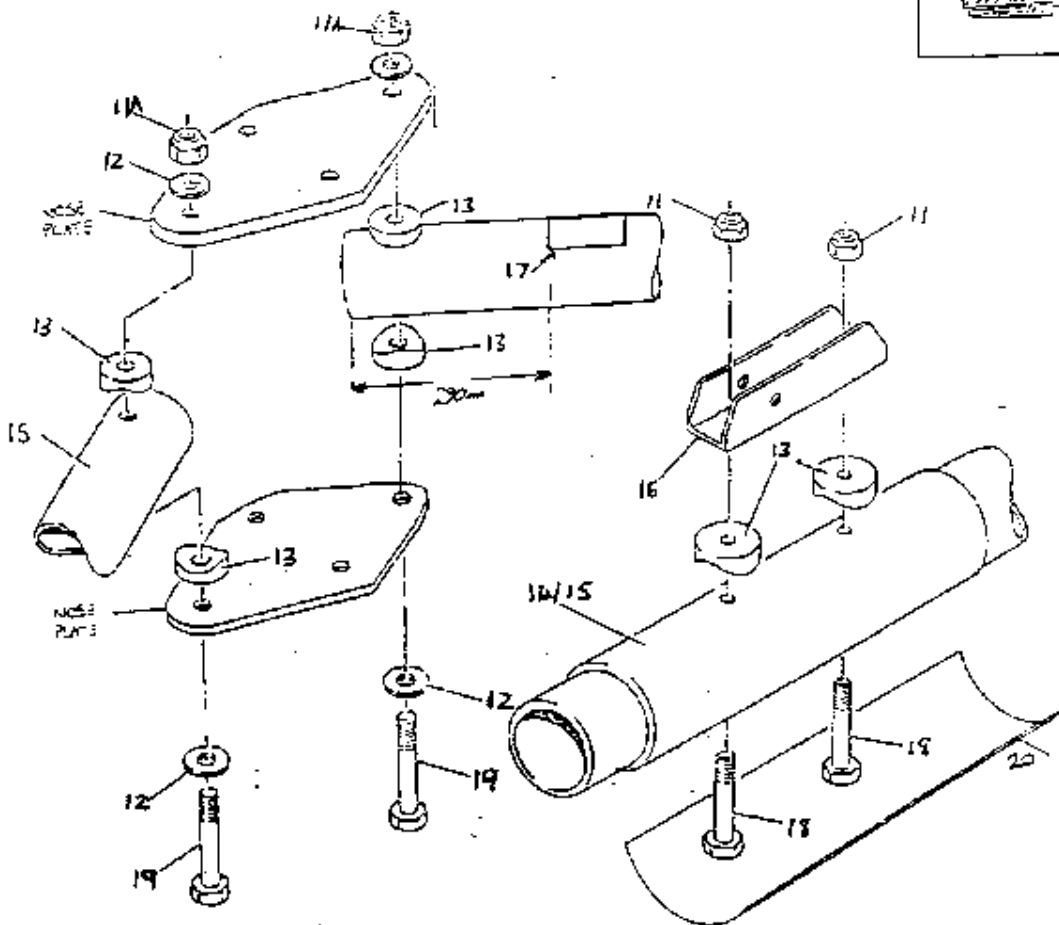
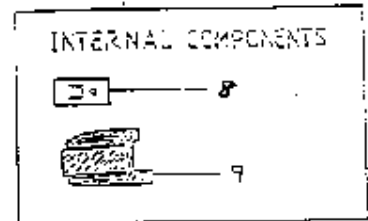
Item	Part Number	Description	Qty
1	ZMA-128	Tip turn adjuster	2
2	YXK-5200	R washout rod	2
3	FMSST-001	No. 12 x 3/4 pan head screw	4
4	FR4-16-001	1/8" x 12 aluminium pop rivet	4
5	PMM-005	67mm nylon jam cleat	2
6	ZMA-01 5	Washout rod plug R type	2
7	VSC5-001	5mm Shock cord	2
8	FNX-002	No.12 U-type spire nut	2
9	PTM19-001	22mm X 13mm pipe insulation tube	2
10	ZMP-042	1 1/4' 13mm Mylar washer	2
11	FNU4-NP	1/4" P-type nyloc nut	6
12	FW4-T4	1/4 T41-P washer	4
13	PMS-M8-17	1 7/8" X M8 plastic saddle	8
14	YXK-5102	LH L/E complete 13.6	1
	YXK-5103	LH L/E complete 14.4	1
15	YXK-5112	RH L/E complete 13.6	1
	YXK-5113	RH L/E complete 14.4	1
	[YSC-5122	L/E sleeve 13.6	2]
	[YSC-5123	L/E sleeve 14.4	2]
	[YSC-5124	L/E inner 13.6	2]
	[YSC-5125	L/E inner 14.4	2]
	[YXK-5101	LH L/E outer 13.6114.4	1]
	[YXK-5111	RH L/E outer 13.6114.4	1]
16	ZCH-003	Leading edge channel	2
17	ZMP-092	Adhesive mylar patch 2' 4'	2
18	FBU4-26	2 3/4" X 1/4" UNF hex bolt	4
19	FBA4-27	AN4-27 A/C hex bolt	2
20	DTM50-001	A433 all weather tape 50 * 25mm	0.1
21	VW50-044	Velcro hook	0.1
22	PEC-003	Washout rod end plug	2
23	ZSP-092	Spacer (optional)	2

# Leading Edge Assembly

Adjustable bearing tips  
available - see Option 1



Items 4, 5 and 7  
Fitted to top holes as standard.  
Fitted to lower holes if Option 1 is fitted



## Cross Spar Assembly

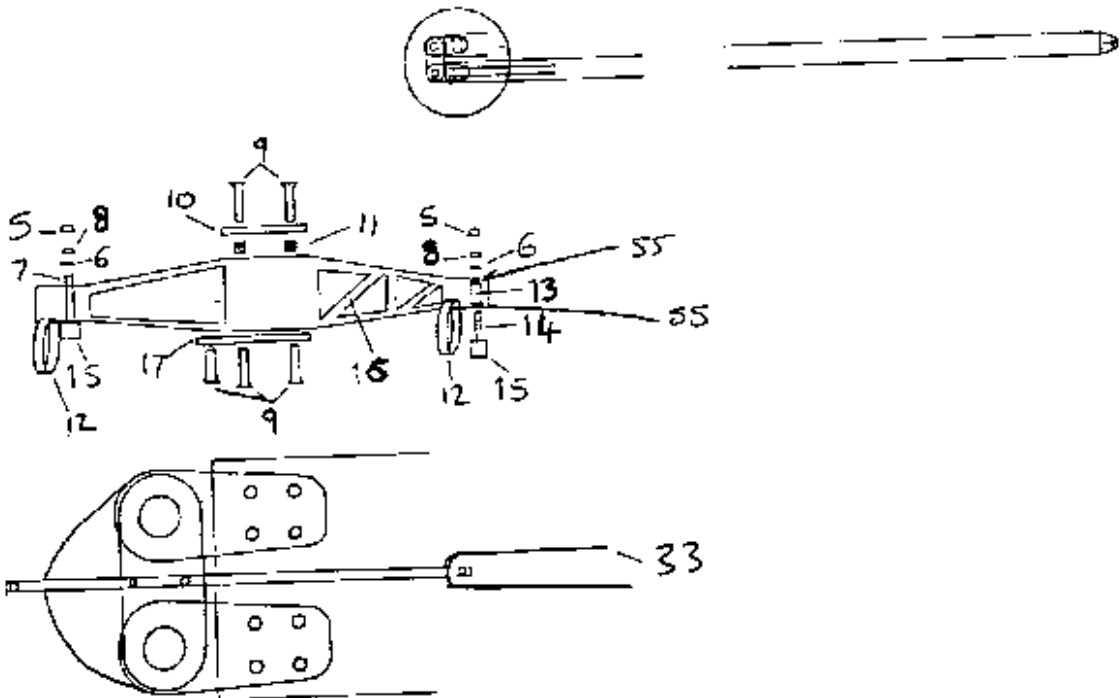
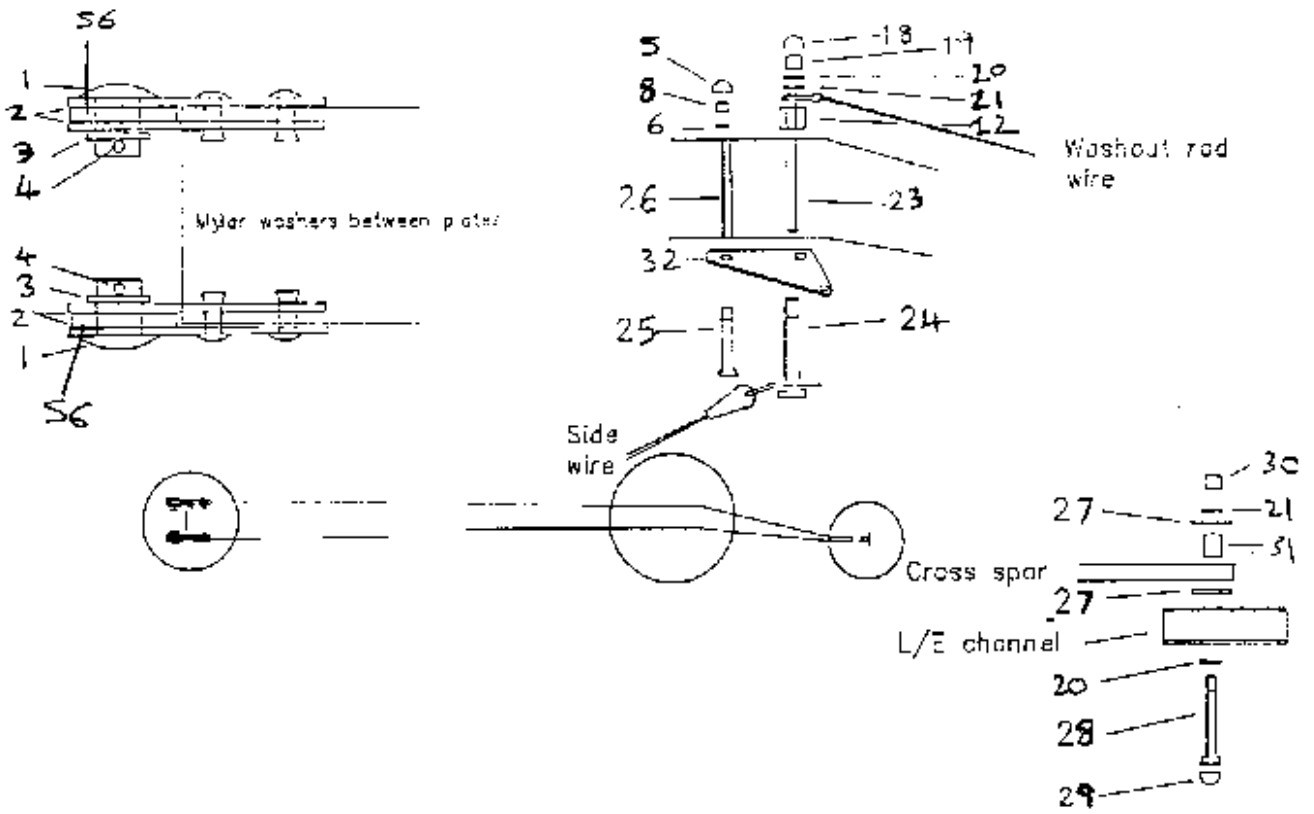
Item	Part Number	Description	Qty
1	ZMS-279	18MM stainless steel pin	4
2	ZPL-124	Cross spar end plate	8
3	FW12-T4	3/4 mild steel T& P washer	4
4	FPSP-003	2.5mm x 25.4mm stainless steel split pin	4
5	PMC-RSC6	6mm raised skiffy cap	7
6	PMC-SB6	6mm skiffy ring	7
7	FBM6-45	M6 x 45mm hex bolt	1
8	FNM6-NT	M6 nyloc nut	6
9	FCU4-08	1/4 x 1 " unf socket csk screw	5
10	ZPL-123	Cross spar top plate (XK)	1
	ZPL-039	Cross spar top plate (MR)	1
11	FW4-T4	1/4" T& P washer (14.4 XK & MR)	6
12	YXK-31801	Anti float webbing	2
13	ZMS-282	Tension strop return	1
14	FBM6-75	M6 x 75 hex bolt	1
15	ZMP-090	Cross spar slider	2
16	ZPL-121	Cross spar leveller	1
17	ZPL-122	Cross spar lower plate	1
18	PMC-RSC8	8mm raised skiffy cap	2
19	FNM8-NT	M8 nyloc nut T-type	2
20	PMC-SB8	8mm skiffy ring	4
21	FW5-T3	5/16 mild steel T& P washer	4
22	ZSP-048	Nylon spacer	2
23	ZSP-283	10 mm x 70mm stainless steel bush	2
24	FBM8-90	M8 x 90 hex bolt	2
25	FBM6-65	M6 x 65 hex bolt	2
26	ZSP-284	8mm stainless steel bush	2
27	FWP-002	10.5 32mm nylon washer	4
28	FBU5-24	2 1/2 x 5/16 unf hex bolt	2
29	PMC-SC8	8MM skiffy cap	2
30	FNU5-NP	5/16 unf P type nyloc nut	2
31	ZSP-285	10mm X 14mm stainless steel bush	2
32	ZPL-125	Washout rod plate	1
33	YXK-4201	Restraint webbing (13.6)	1
	YXK-4202	Restraint webbing (14.4)	1
34	GEN-OG	Brass spur tooth eyelet	1
35	VNR-001	8 plait nylon cord	1
36	FMSS-3	Restraint stud type 3	1
37	FNU4-NT	1/4" unf nyloc nut T type	1
38	FPSR-001	5/8" safety ring	1
39	VSC3-001	3mm shock cord	1
40	YXK-31803	Cross spar protection cover	1
41	PMC-SB8	8mm skiffy ring	3
42	YXK-4101	Composite cross spar (13.6)	1
	YXK-4102	Composite cross spar (14.4)	1

44	DP-063	Cross spar placard	2
45	DP-064	Cross spar curing placard	2
46	YXK-8331	Keel wire (13.6)	1
	YXK-8332	Keel wire (14.4)	1
47	YQB-040	Neoprene protector sleeve	6
48	YXK-4710	Mid span washout rod	1
49	YXK-4720	Mid span washout wire	1
51	FBM6-30 (cut to 22mm)	M6 x 30mm hex bolt	1
52	ZMS-280	Washout rod end 1	1
53	ZMS-281	Washout rod end 2	1
54	FBM6-35	M6 x 35mm hex bolt	1
55	GEN-OG	Eyelet half	2
56	ZMP-042	Mylar washer	4

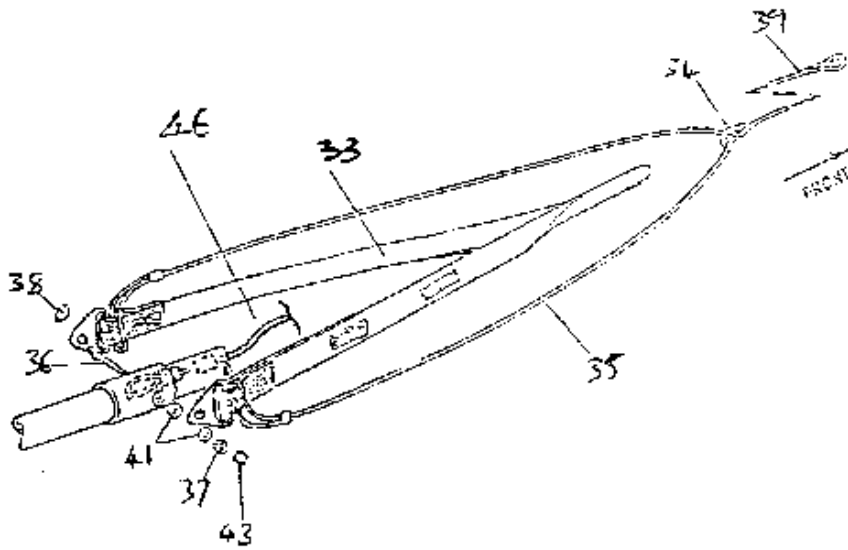
NB. IF ITEM 55 IS REQUIRED, PLEASE ASK FOR IT TO BE FLATTENED AS FOR USE ON THE SCANDAL XK CROSS SPAR ASSEMBLY.



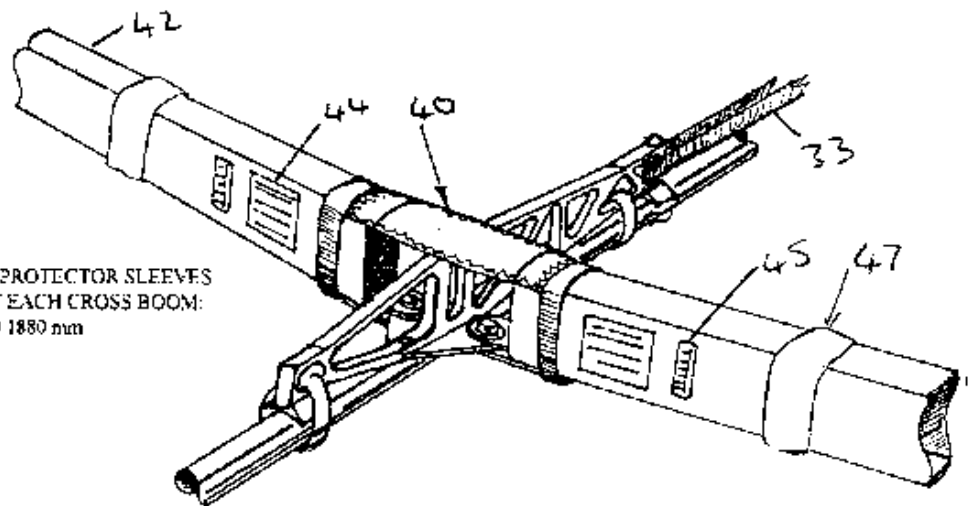
# Cross Spar Assembly



# Cross Spar Assembly

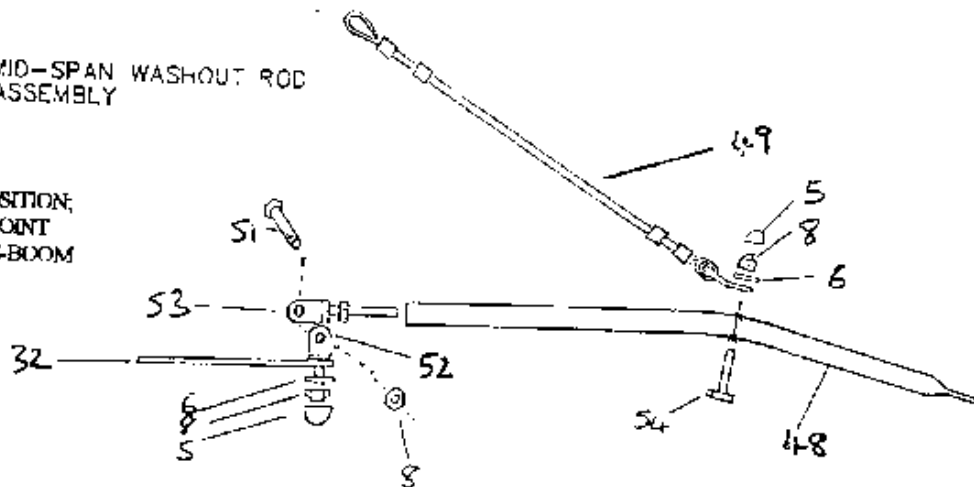


POSITION OF NEOPRENE PROTECTOR SLEEVES  
FROM LEVELLER END OF EACH CROSS BOOM:  
235mm, 930mm AND 1880 mm



MID-SPAN WASHOUT ROD  
ASSEMBLY

ITEM 51:  
IN DE-RIGGED POSITION;  
THREAD MUST POINT  
TOWARDS CROSS-BOOM

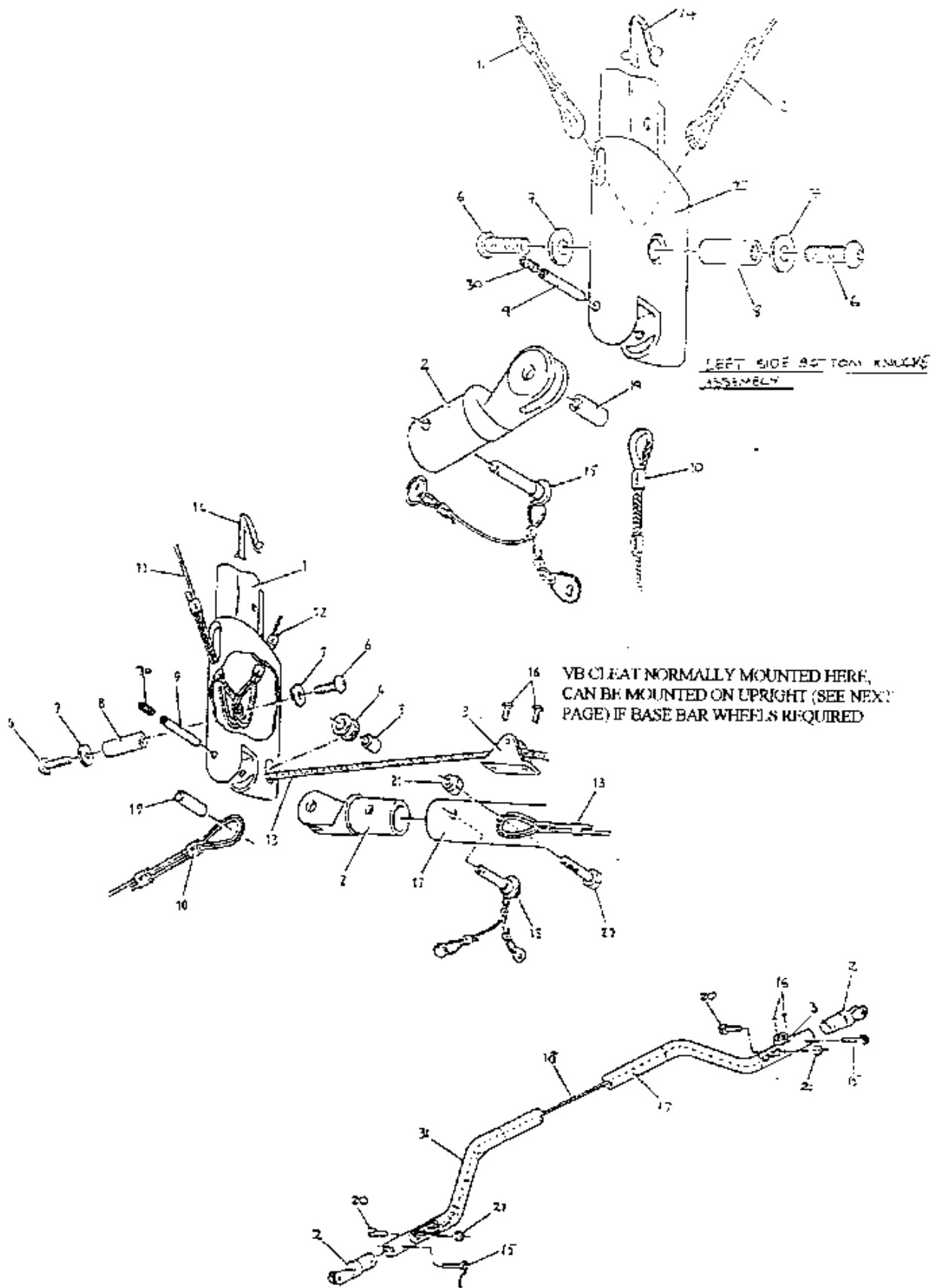


## Control Frame Assembly

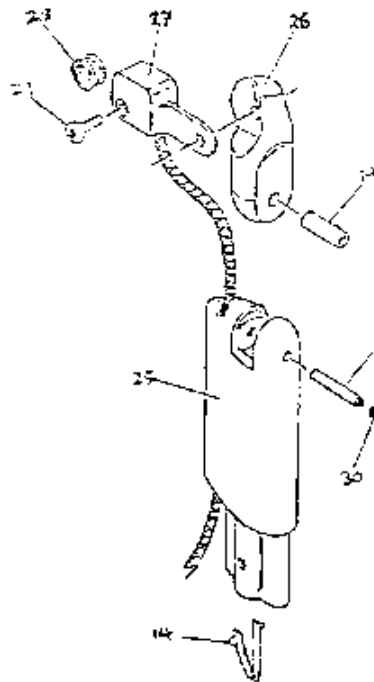
Item	Part Number	Description	Qty
1	ZKN-118	Control frame lower casting (RH)	1
2	ZKN-114	Base bar knuckle	2
3	RM-2	6mm lance cleat	1
4	ZMA-016	VB pulley	1
5	BEA-GB-1	DU bush bearing	1
6	FMSU-001	10 UNF 3/8" button head screw	4
7	FW3-T3	3/16 T3LP washer	4
8	FNX-001	Thread connector	2
9	ZMS-156	Control frame hinge pin	4
10	YXK-7221	13.6 Lower side rigging (XK)	2
	YXK-7223	13.6 Lower side rigging (XK-R)	2
	YXK-7222	14.4 Lower side rigging (XK)	2
	YXK-7224	14.4 Lower side rigging (XK-R)	2
11	YXK-7201	13.6 Lower front rigging	1
	YSC-7202	14.4 Lower front rigging	1
12	YXK-7211	13.6 Lower rear rigging (XK & XK-R)	1
	YXK-7212	14.4 Lower rear rigging (XK)	1
	YXK-7213	14.4 Lower rear rigging (XK-R)	1
13	VNR-BL3	3mm hibrite cord	5m
14	FPBP-001	Double button clip	4
15	FP-002	3mm push pin	2
16	FR4-16-001	1/8" x 3/8" pop rivet	2
17	YSC-51205	Speed bar	1
18	YRA-61400	Speed bar cable	1
19	ZMP-015	Knuckle pivot bearing	2
20	FBU4-14	1 1/2" x 1/4" UNF hex bolt	2
21	FNU4-NP	1/4" P-type nyloc nut	2
22	ZKN-117	Control frame lower casting (left hand)	1
24	ZMA-013	Rubber back top knuckle	1
25	ZKN-116	Control frame upper casting	2
26	ZMA-014	Control frame swivel (VG)	1
27	ZMA-018	VB pulley block	1
28	RP-10	Micro block	1
29	FBMS4-15	Brass pan head screw	1
30	FSM8-001	Grub screw	4
31	PMM-009	Base bar grip	2
32	ZMA-001	Nose catch	1
34	RS-2	5mm strip shackle	1
35	RP-8	Triple block pulley	1
36	RP-9	Double block pulley and bracket	1
37	YSC-51001	Upright	2

38	DLV-006	Aerofoil sticker	2
39	PMM-013	Upright Gasket	2.2m
40	FMSST-003	Self Tap Screw	2
41	FR4-8-001	Rivet	2
42	ZMS-284	Bracket	1
43	VW50-004	Velcro Loop 50mm Adhesive	0.05m

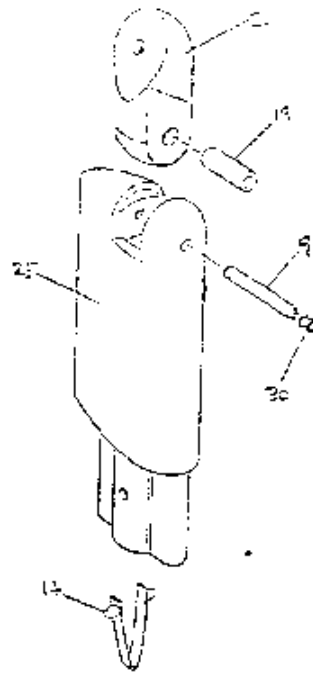
# Control Frame Assembly



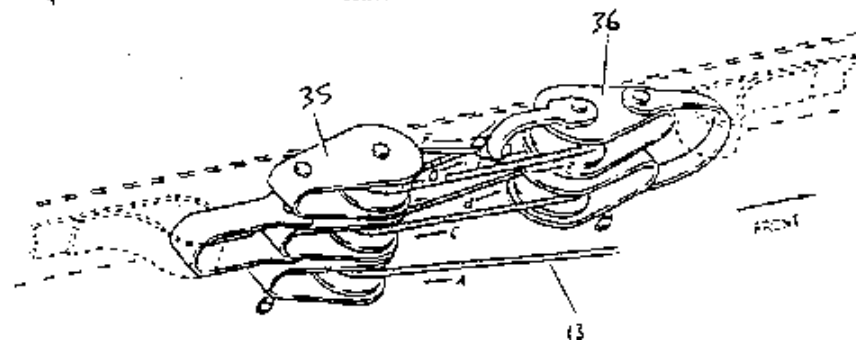
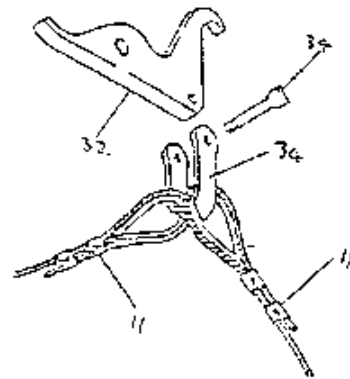
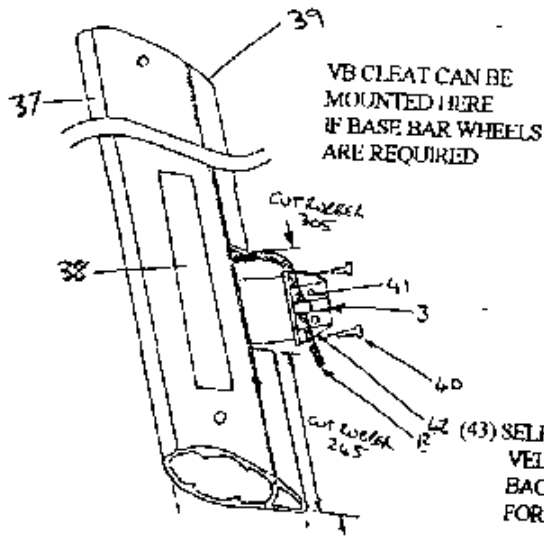
# Control Frame Assembly



RIGHT HAND SIDE TOP KNUCKLE



LEFT HAND SIDE TOP KNUCKLE ASSEMBLY



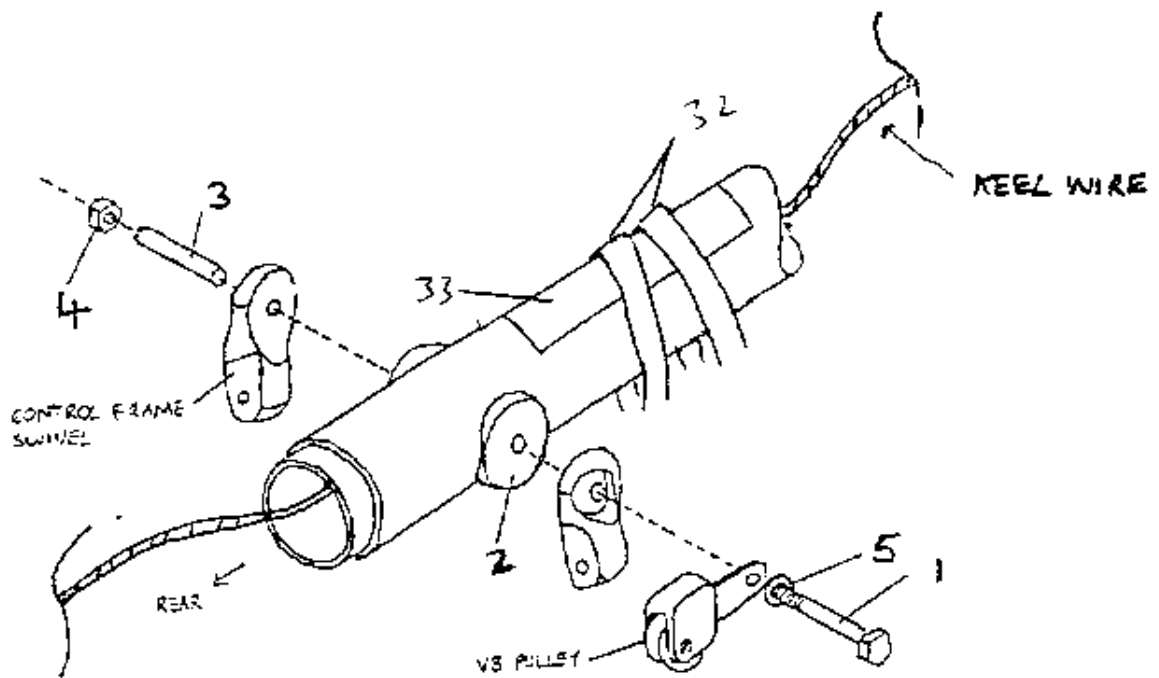
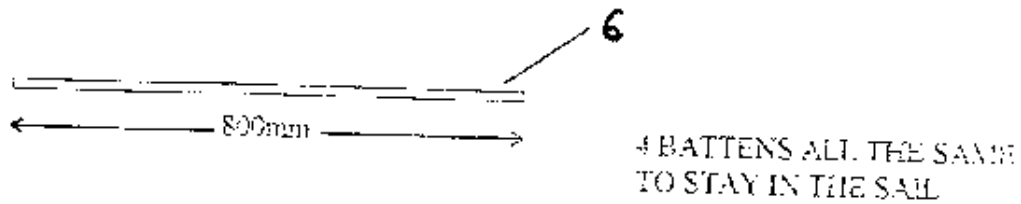
## Final Assembly

Item	Part Number	Description	Qty
1	FBA4-33A	AN4-33A hex bolt	1
2	PMS-M8-17 ZSP-087	1 7/8" x M8 plastic saddle (XKR only)	2
3	ZSP-040	Steel keel bush - R type	1
4	FNU4-NP	11/4" unf P type nyloc nut	1
5	FW4-T3	11/4 T3LP washer	3
6	YXK-8402	Span wise batten	4
7	PMC-SB6	6mm skiffy ring	2
8	FBU4-22	2 1/4" x 1/4" unf hex bolt	1
9	PMC-RSC6	6mm raised skiffy cap	2
10	M4-NT	1/4" unf * 0.437" thin nyloc nut	1
11	YXK-8351	13.6 Nose cone	1
	YXK-8352	14.4 Nose Cone	1
12	YSC-8301	Mylar inserts (13.6)	2
	YSC-8302	Mylar inserts (14.4)	2
13	FMSST-002	No. 12 countersunk pos self tap screw	3
14	FMS6-25	M6 x 25mm countersunk slotted set	4
15	ZSP-006	Eyelet spacer	6
16	ZMA-129	Tip retention pin	2
17	YSC-9015	Tip webbing	2
18	DLV-027	Scandal sticker	1
19	YXK-8401	Centre rib	1
20	YXK-8402	Span-wise batten	4
21	YSC-8500	LH rib 1	1
	YSC~8600	RH rib 1	1
22	YSC-8501	LH rib 2	1
	YSC-8601	RH rib 2	1
23	YXK-8502	LH rib 3	1
	YXK-8602	RH rib 3	1
24	YXK-8503	LH rib 4	1
	YXK-8603	RH rib 4	1
25	YXK-8504	LH rib 5	1
	YXK-8604	RH rib 5	1
26	YSC-8505	LH rib 6	1
	YSC-8605	RH rib 6	1
27	YSC-8506	LH rib 7	1
	YSC-8606	RH rib 7	1
28	YSC-8507	LH rib 8	1
	YSC-8607	RH rib 8	1
29	YSC-8508	LH tip rib	1
	YSC-8608	RH tip rib	1

30	YSC-8510	Under surface LH rib 1	1
	YSC-8610	Under surface RH rib 1	1
31	YSC-8511	Under surface LH rib 2	1
	YSC-8611	Under surface RH rib 2	1
	YXK-8400	Batten set	1
32	YXK-31305	Hang loop and backup loop	1
33	DTI16-001	Grip tape	0.1
34	FWP-01 0	Plastic washer (10 mm hole)	2
35	BEA-GB-4	8mm glacier DU bearing	2
36	FWP-002	Plastic washer	2
37	ZMP-098	Modified saddle	2
38	VNR-BL3	3mm blue hibrite	1.9m
39	VNR-BL3	3mm blue hibrite	0.1m
40	RP-14	Pulley	1
41	FBA4-15	AN4 -15 aircraft hex bolt	2
42	HTW-001	Small, white cable tie	1
43	ZSP-086	10 mm aluminium bush	1
44	ZMP-097	Roller	1
45	ZPL-036	Tang	2
46	YXK-31306	Hang & backup loop	1
47	ZMS-023	Traveller rail	1
48	ZMF-029	1/4" bolt 85 mm PSL, 98 mm LOA	1



# Final Assembly -XK

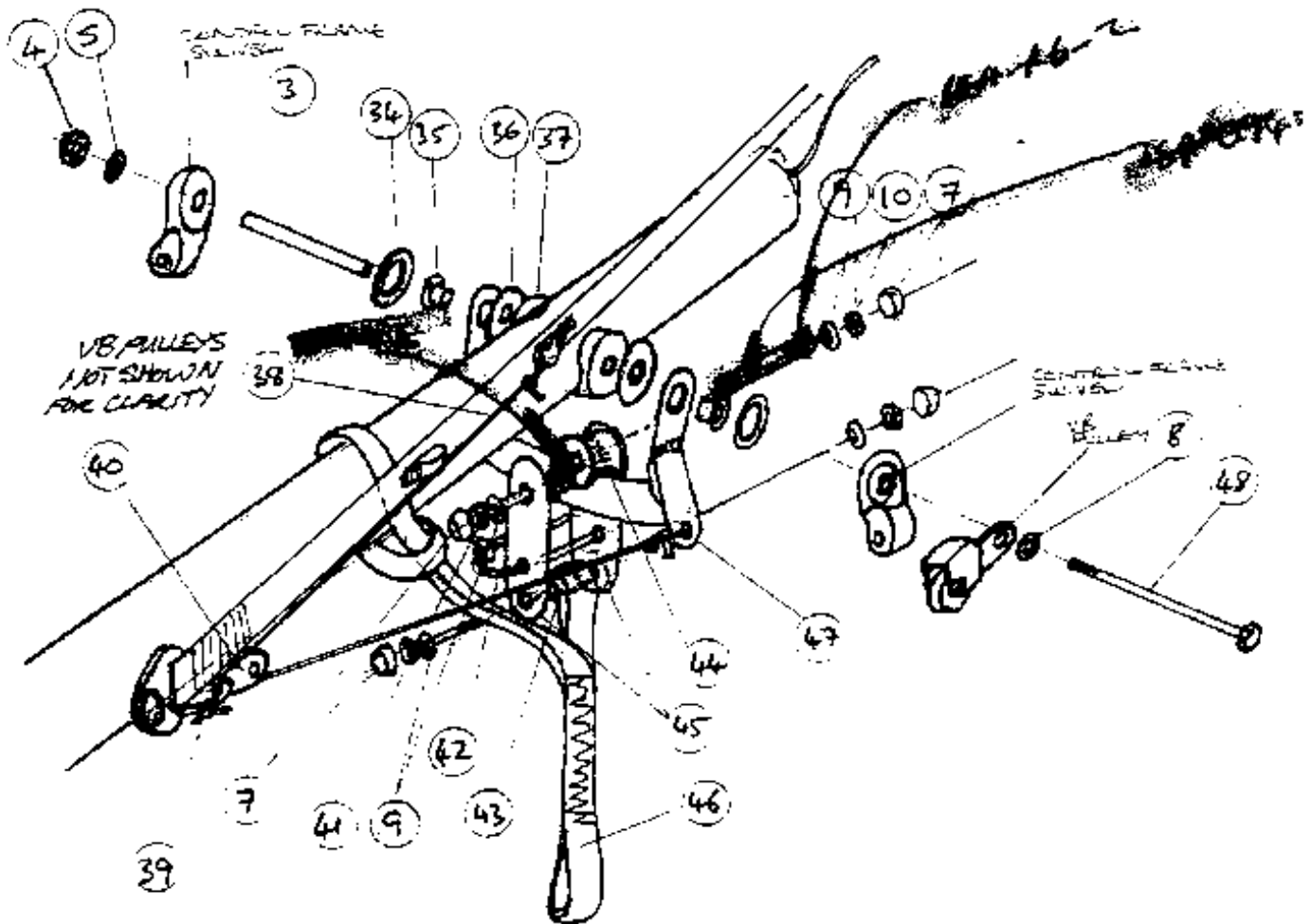
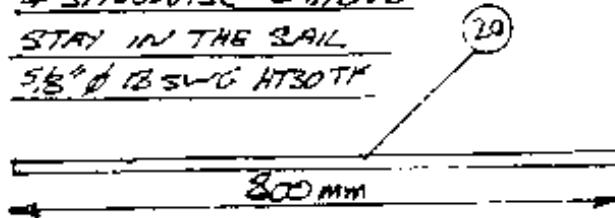


## ITEM 32:

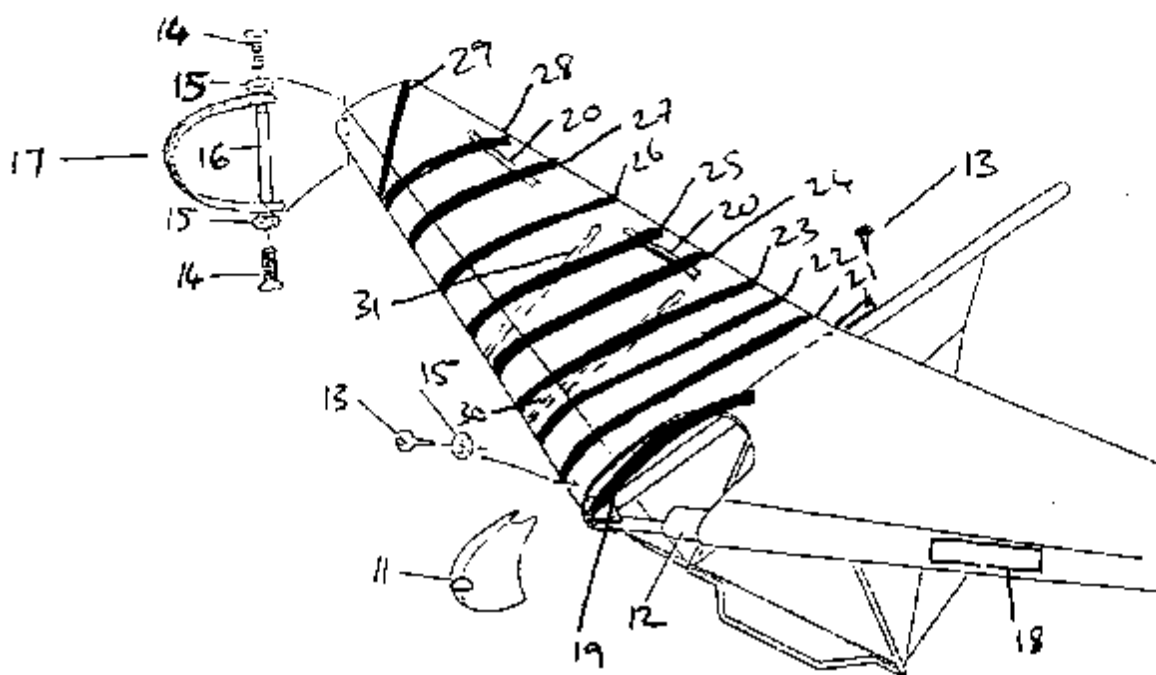
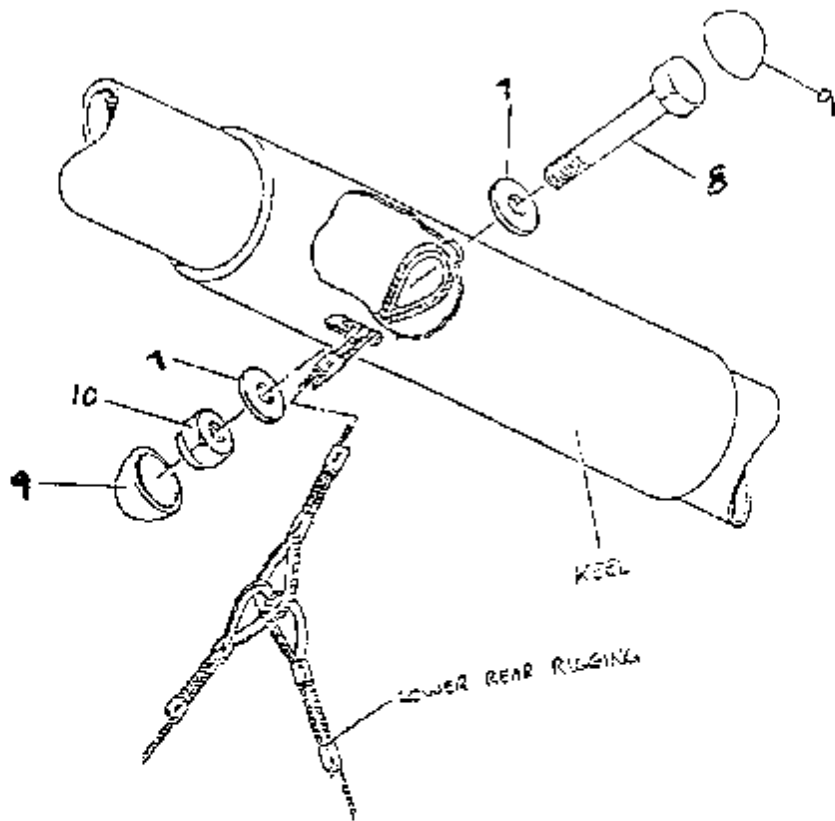
- 13.6 GLIDER - **HANG LOOP** (BLUE) SITS DIAGONALLY ACROSS THE CONTROL FRAME AND GRIP TAPE
- BACKUP LOOP** (WHITE) SITS DIRECTLY IN FRONT OF THE CONTROL FRAME
- 14.4 GLIDER - **HANG LOOP** (BLUE) SITS DIRECTLY IN FRONT OF THE CONTROL FRAME
- BACKUP LOOP** (WHITE) SITS DIRECTLY IN FRONT OF THE HANG LOOP.

# Final Assembly - XK-R

4 SPANWISE BATTENS  
STAY IN THE SAIL  
5/8" Ø 1B SW-6 HT30TF

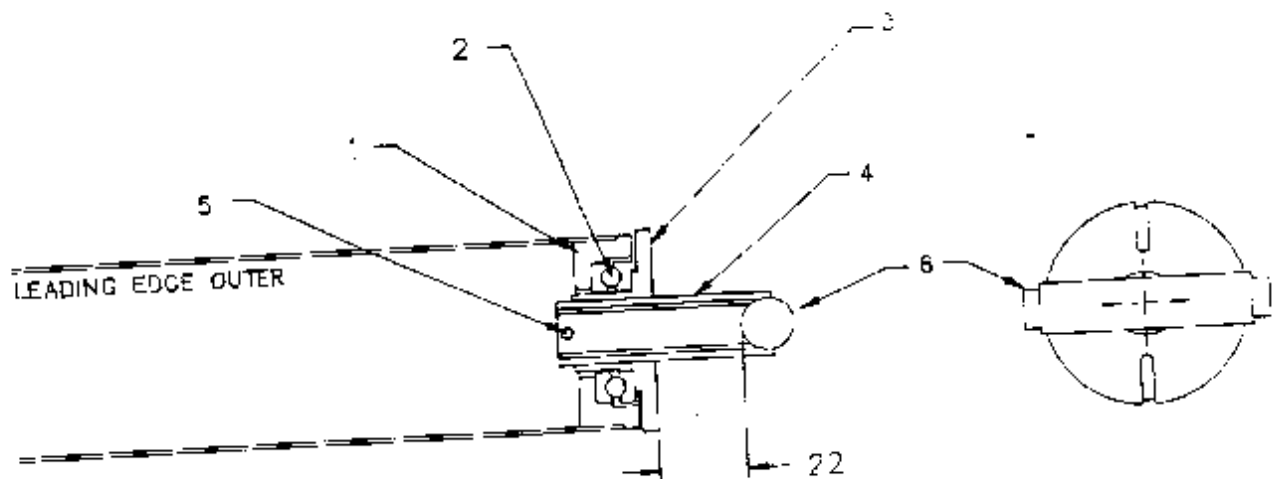


# Final Assembly - XK and XK-R



# Option 1 - Adjustable Bearing Tips

Item	Part Number	Description	Qty
1	ZMP-100	Tip housing	2
2	BEA-BB-12	51104 bearing	2
3	ZMA-085	Tip adjuster	2
4	ZMS-025	Tip jck	2
5	FPSP-001	Split pin	2
6	ZMA-138	Tip bar	2



MAXIMUM EXTENSION SHOWN.  
 ROTATE WHEEL 3 TO ADJUST TENSION

BEARING 2 PROVIDES LOW FRICTION ROTATION.  
 TIP BAR 6 CAN BE PULLED OFF FOR DE RIGGING  
 WHEN ADJUSTER IS FULLY SLACK.

## Miscellaneous

<b>Item</b>	<b>Part Number</b>	<b>Description</b>	<b>Qty</b>
Battens	DBPS-003	Batten plan	1
	YRA-060	Batten bag	1
Packing	YRA-080	Wing pad set	1
	YXK-9080	Neoprene sleeve	1
	VW50-003	Wing ties	5
	YSC-901 3	Pair wing tip covers	1
	YSC-9014	Base bar cover	1
	YXK-9011	Glider bag 13.6	1
	YXK-9012	Glider bag 14.4	1
Sticker	BHPA	BHPA stickers (set of 2)	1