

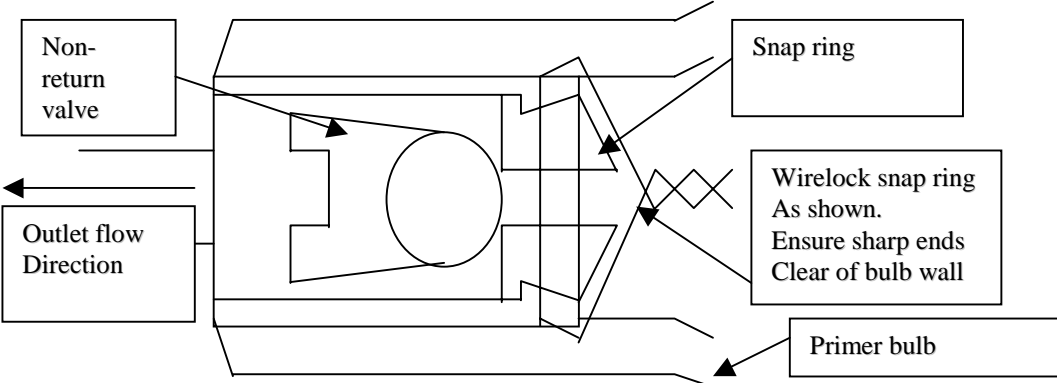
TITLE	Primer Bulb Valves
CLASSIFICATION	Cyclone Airsports consider this bulletin compulsory
COMPLIANCE	Within the next 25 hours
APPLICABILITY	All Pegasus microlight aircraft with primer bulbs, also Solar Wings Booster Mk1

INTRODUCTION

The primer bulb outlet valve is held in place by a snap-in plastic ring. If the snap-in ring detaches, the valve can float around inside the primer bulb and block the outlet at random, causing engine failures or fuel starvation damage.

ACTION

- 1) remove the hose clips and pull out both valves.
- 2) Drill a 1mm hole through each valve body and snap ring
- 3) Secure the snap ring using locking wire through the hole.
- 4) Inspect the bulb for perishing
- 5) Replace the valves, ensuring the arrow on the bulb is consistent with the action of the valves.
- 6) Replace the hose clips
- 7) Replace the bulb and test for correct operation and freedom from leaks.



The diagram shows a cross-section of a primer bulb assembly. On the left, a 'Non-return valve' is shown with an arrow pointing left, labeled 'Outlet flow Direction'. A 'Snap ring' is positioned to hold the valve in place. A 'Wirelock snap ring' is shown being inserted through a hole in the valve body and the main snap ring. The main snap ring is labeled 'Snap ring' and the wirelock is labeled 'Wirelock snap ring As shown. Ensure sharp ends Clear of bulb wall'. The entire assembly is housed within a 'Primer bulb'.

If your aircraft was registered after June 1999 and you are unable to do this type of work yourself and your Pegasus dealer cannot help, we will be pleased to carry out the modification for you. Send the primer bulb to us at the address below together with a sticky return address label and we will return it to you modified.

ISSUED BY	W.G.Brooks	DATE 17/6/02
------------------	-------------------	---------------------

Chief Engineer		Date
Production Manager		Date

Sales Director		Date
Managing Director		Date