

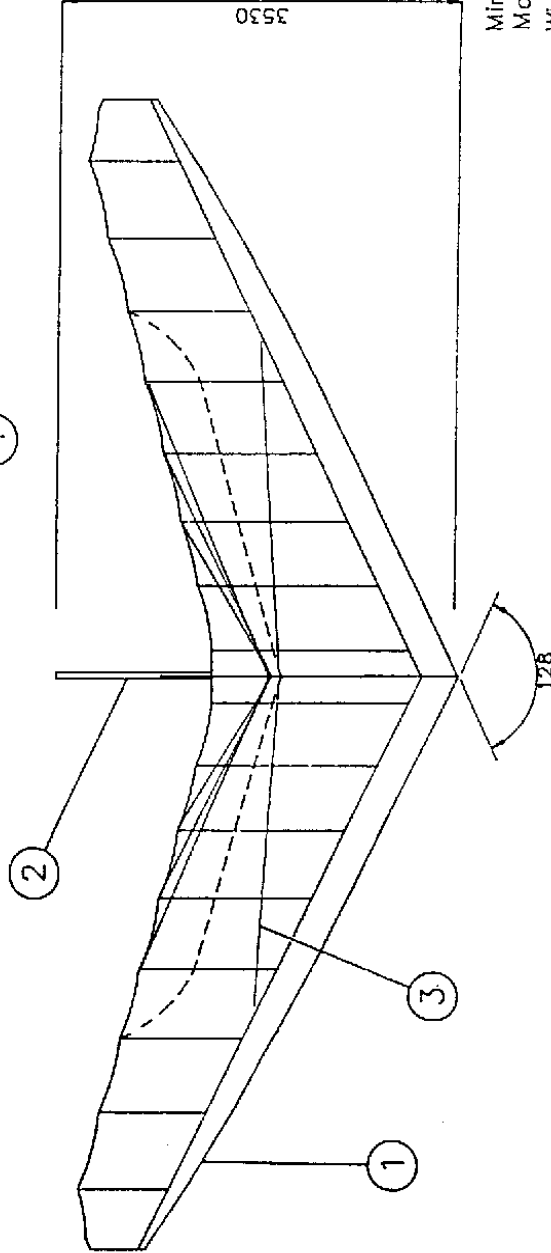
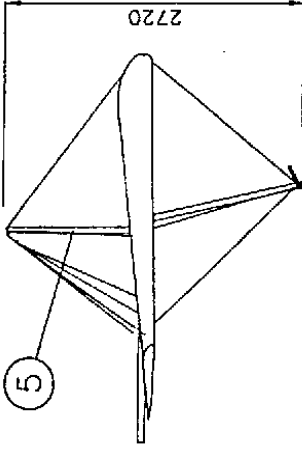
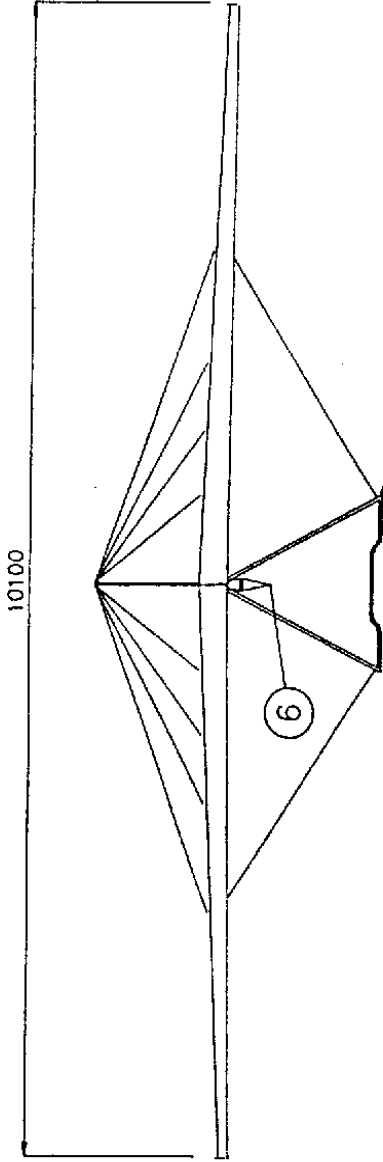


# RUMOUR 3

# 14

# Parts Catalogue

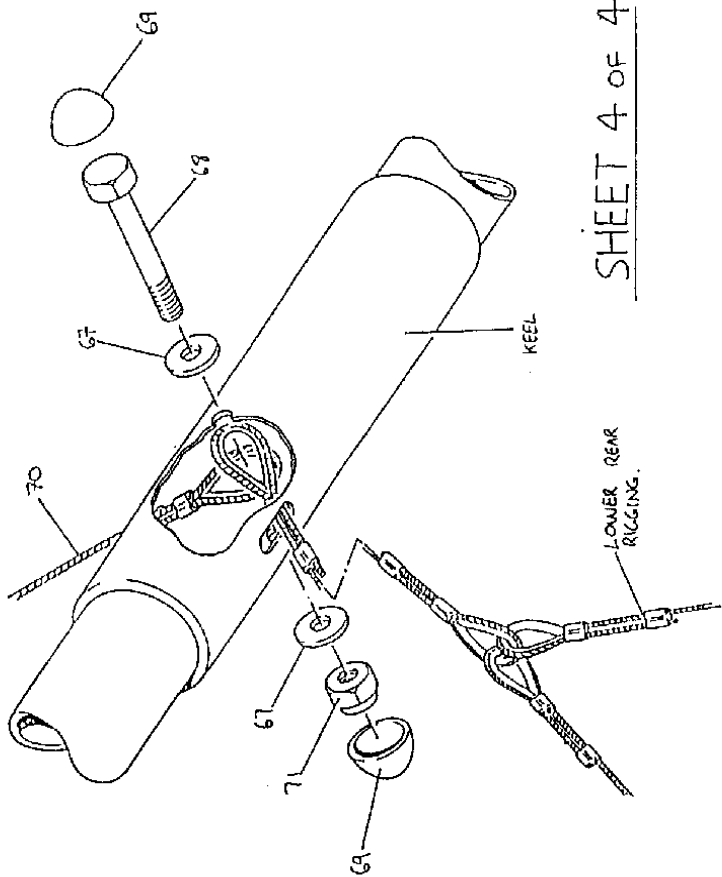
Cyclone Airports Ltd trading as Pegasus Aviation  
Elm Tree Park, Manton, Marlborough, Wiltshire. UK  
Telephone +44 (0) 1672 861578 Fax +44 (0) 1672 861550  
[www.pegasusaviation.co.uk](http://www.pegasusaviation.co.uk) email - [parts@pegasusaviation.co.uk](mailto:parts@pegasusaviation.co.uk)



RUMOUR 14 (VB on)  
SHEET 1 OF 4

Min pilot clip-in weight 68kg  
Max. Pilot Clip-in weight: 90 kg (198.4 lbs)  
Wing area 14.1sqm  
Weight without Packing (dry): 30.7 kg (67.7 lbs)

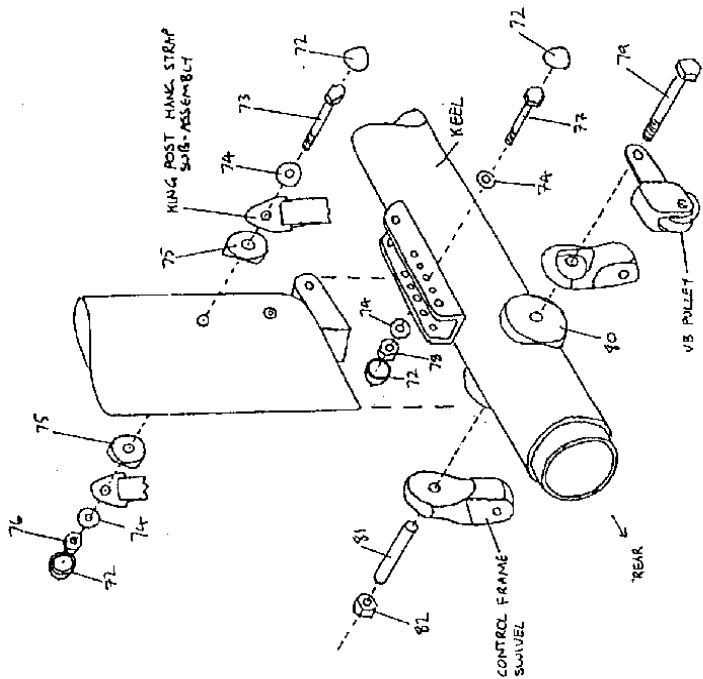
Item	Description	Part Number	Quantity	Drawing No.
1	LEADING EDGE SUB-ASSEMBLY	TRC-31000	1	SW-89101
2	KEEL SUB-ASSEMBLY	TRC-31300	1	SW-89102
3	CROSS SPAR SUB-ASSEMBLY	TRC-31600	1	SW-89106
4	CONTROL FRAME SUB-ASSEMBLY	TRC-50000	1	SW-89429
5	KING POST SUB-ASSEMBLY	TRC-60000	1	SW-89428
6	KING POST HANG STRAP SUB-ASSEMBLY	TRC-31305	1	SW-89427
PART No. TRC. 20000				
<b>RUMOUR THREE 14M ASSEMBLY</b>				
<b>SOLAR WINGS Ltd.</b>				
56 George Lane Marlborough Wiltshire SN8 4BY Tel: 0672 - 55066				
		Drawn	Date	Name
		Approved	060883	T. CLARKE
		Checked		
		Scale 1:50		Jig No.
		Description of revision		Date
		A INITIAL ISSUE		060893
		Approved		Approved
		Drawing No.		SW-89103
		General Tolerance		1/8±0.1   over 30/100±0.3   over 300/1000±0.8   Substituted for
		Dimensions (mm)		over 6/30±0.2   over 100/300±0.5   over 1000/2000±1.2   Replaced by



SHEET 4 OF 4

UPPER & LOWER REAR RIGGING ASSEMBLY

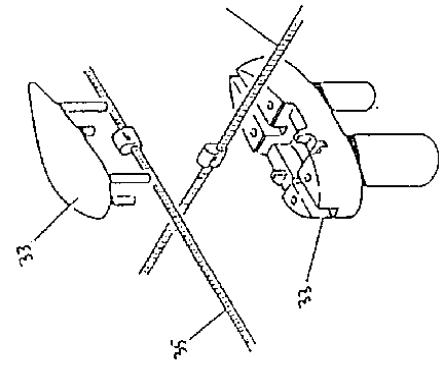
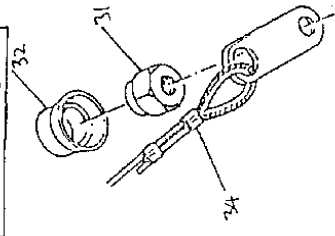
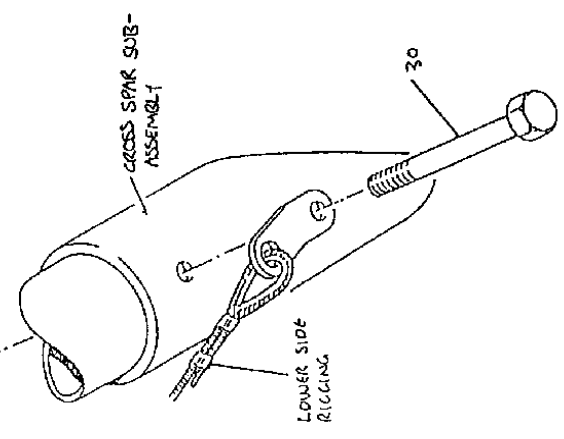
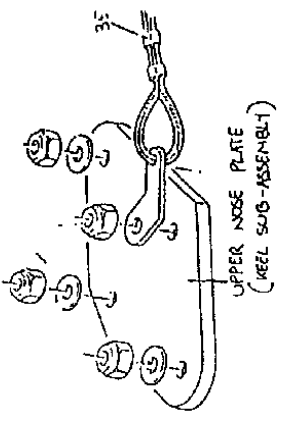
Item Part No.	Description	Quantity	DRAWING No.
67	6 mm Skiffy Ring only	2	
68	2-1/4" x 1/4" UNF Hex. Bolt	1	
69	6 mm Raised Skiffy - Cap only	2	
70	Upper Rear Rigging	1	SW-90277A
71	1/4" UNF x 0.437" Thin Nylock Ins. Nut	1	



ITEM	PART NUMBER	DISCRIPTION	QUANTITY
72	PNC-RSC-6	SKIFFY CAP - 6mm	4
73	FBU4-16	1 3/4" x 1/4" BOLT	1
74	PNC-SG6	SKIFFY WASHER	4
75	PMS-MB-215	1 1/8" MB SADDLE	2
76	FN04-N1	1/4" T-TYPE NUT (NYLOCK)	1
77	FMB4-35	6mm 35mm HEX BOLT	1
78	FNMB-N1	6mm T-TYPE NUT (NYLOCK)	1
79	FB04-33A	AN4-33A HEX. BOLT	1
80	PMS-MB-17	1-7/8" x MB PLASTIC SADDLE	2
81	ZSP-019	STEEL KEEL BUSH - R TYP	1
82	FA04-NP	1/4" UNF (P) TYP NYLOCK NUT	1

RUMDOR 3 14-A-A ASSEMBLY		PART No. - 14-A-010	
SOLAR WINGS LTD	ISS	DATE	NAME
ELM TREE PARK	APPROVED	6/16/83	T-CLARKE
MANTON	CHECKED		
MARLBOROUGH			
WILTSHIRE			
SMS IPS			
TEL: 0672 95579			
	INITIAL ISSUE	DESCRIPTION OF REV/DATE	APPROVE
	A		6/16/83
DRAWING No.			SW-89103

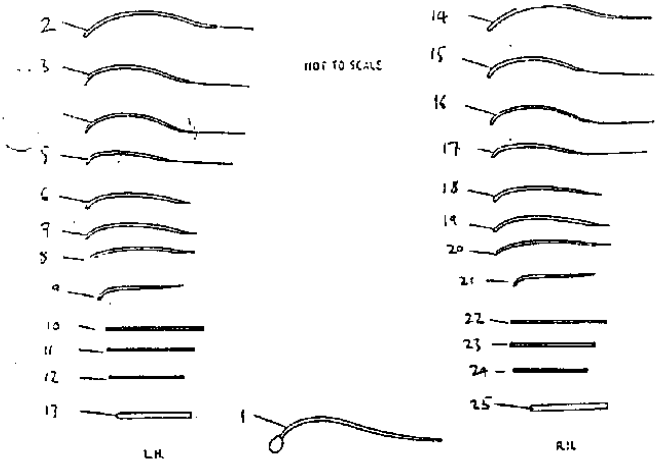
RUNOUR 3 144A ASSEMBLY  
 SOLAR WINGS LTD.  
 ELM TREE PARK  
 MANOTON, MARLBOROUGH  
 MK45, SWS 1PS  
 TEL 0672 86578  
 DRAWN 6/9/93  
 DATE 6/9/93  
 SW-89103  
 DRAWING NO. SW-89103  
 PART. NO. SW-89103  
 CRK.



SHEET 2 OF 4

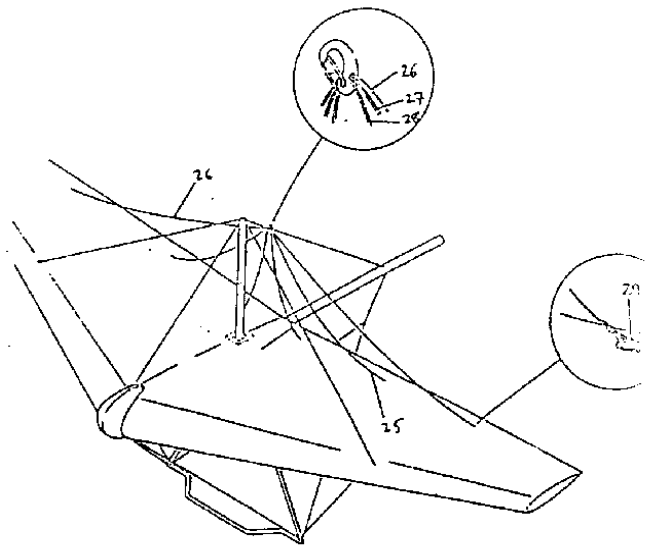
RIGGING WIRES

Item Part No.	Description	DRAWING No.	Quantity
30	FBU4-30		1
31	FNU4-NP		1
32	PMC-NUT		1
33	PMC-002		1
34	YSG-62100		1
35	YSG-62200		1



21 RIBS YRG-70000

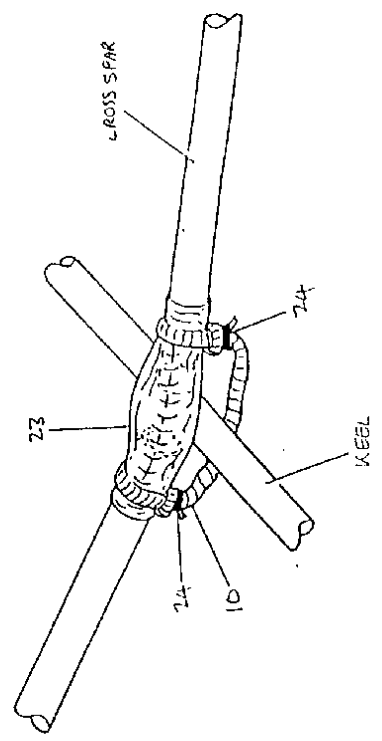
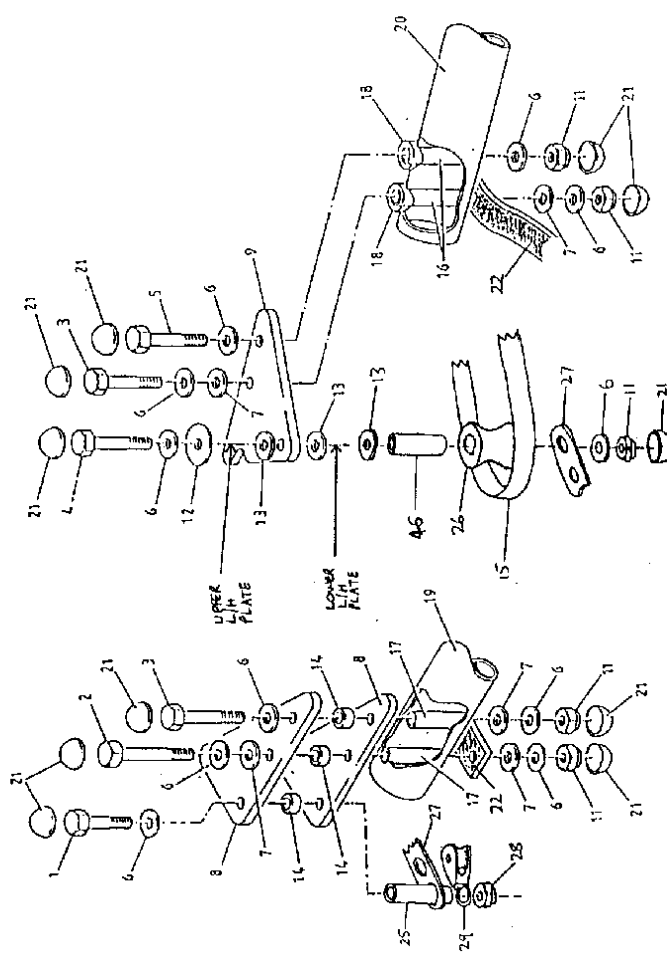
Item Part No.	Description	Quantity
1	YSG-71200	1
2	YSG-71201	1
3	YSG-71202	1
4	YSG-71203	1
5	YSG-71204	1
6	YSG-71205	1
7	YSG-71206	1
8	YSG-71207	1
9	YSG-71208	1
10	YSG-71209	1
11	YSG-71210	1
12	YSG-71211	1
13	YSG-71212	1
14	YSG-71213	1
15	YSG-71214	1
16	YSG-71215	1
17	YSG-71216	1
18	YSG-71217	1
19	YSG-71218	1
20	YSG-71219	1
21	YSG-71220	1



Item Part No.	Description	DRAWING No.	Quantity
25	Outer Luff Line	SW-40240	1
27	Middle Luff Line		
28	Inner Luff Line		
29	FPSR-002	7/8" Safety Ring	6

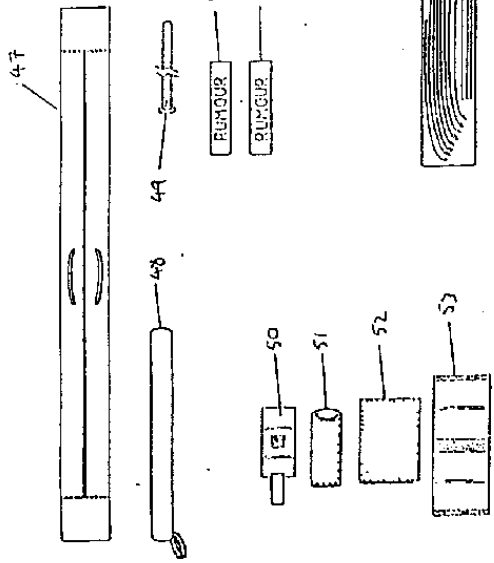
DRAWING No.	Item Part No.	Description	Quantity
	1	6mm x 50mm HEX. Bolt	1
	2	3-1/2" x 1/4" UNF. HEX. Bolt	1
	3	3-1/4" x 1/4" UNF. Hex. Bolt	2
	4	1 3/4" x 1/4" UNF. HEX. Bolt	1
	5	3" x 1/4" UNF. Hex. Bolt	1
	6	6 mm Skiffy - Ring only	5
	7	1/4" Mild Steel Washer 14LP	5
	8	Unslotted Cross Spar Plate - R Type	2
	9	Slotted Cross Spar Plate - R Type	2
SW-89402	10	ANTI FLOAT WERSING	1
SW-89401	11	1/4" UNF 0.437" Thin Nylock Ins. Nut	6
SW-89027	12	1-1/4" x 1/4" x 1/16" Mild Steel Washer	2
	13	1-1/4" out/dia. x 5/16" Nylon Washer	3
	14	Crossbar Spacers - Steel	3
SW-89024	15	Restraint Webbing	1
	16	Crossbar Bushes, H30RF 63.5 - R Type	2
	17	Crossbar Bushes, H30RF 60 mm - R Type	2
	18	2-1/4" Saddle Mod 3/8" hole	2
	19	-- Right hand Cross Spar	1
	20	-- Left hand Cross Spar	1
SW-90272	21	6 mm Raised Skiffy Cap only	11
SW-90272	22	Cross Spar Support Hex	1
	23	Cross Spar Protection Cover	1
SW-89440	24	Long Cable Tie 4.6 x 280 mm	2
	25	SPACER BUSH 20x10x6.5	1
	26	ROLLER	1
	27	TANG	1
	28	6mm NYLOCK NUT 'T' TYPE	1
	29	PULLEY	1

SHEET 1 OF 2



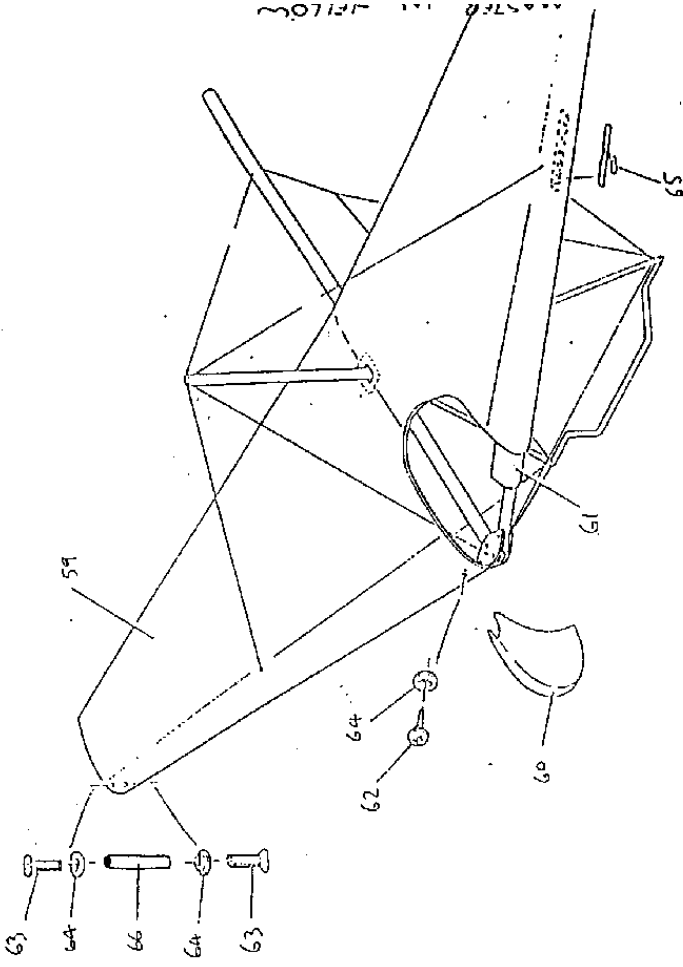
CROSS SPAR SUB-ASSEMBLY			
REVISED	DATE	BY	APP. NO.
3	14MM	PARTING-IRG-31600	
SOLAR WINGS LTD	68/89	T. CLARKE	
ELM TREE PARK	APPROVED		INITIAL ISSUE 6/8/89
MANTON	CHECKED		DESCRIPTION OR REFERENCE APPROVE:
MARLBOROUGH			DRAWING No.
WILTS HIRE			SIN-20012
SUN IPS			

RUMOUR 3 14M		PART NO. 7122-010			
ASSEMBLY					
SOLAR WINGS LTD	DESIGN	6/9/93	T. CLARKE		
ELM TREE PACK	APPROVED			INITIALS	6/9/93
MANITON	CHECKED			OPERATION OR RES. DATE	APPROVED
MARLBOROUGH				DRAWING NO.	SW-89103
WILTSHIRE	DATE		NAME		
SMS IPS					
TEL: 0674 86578					



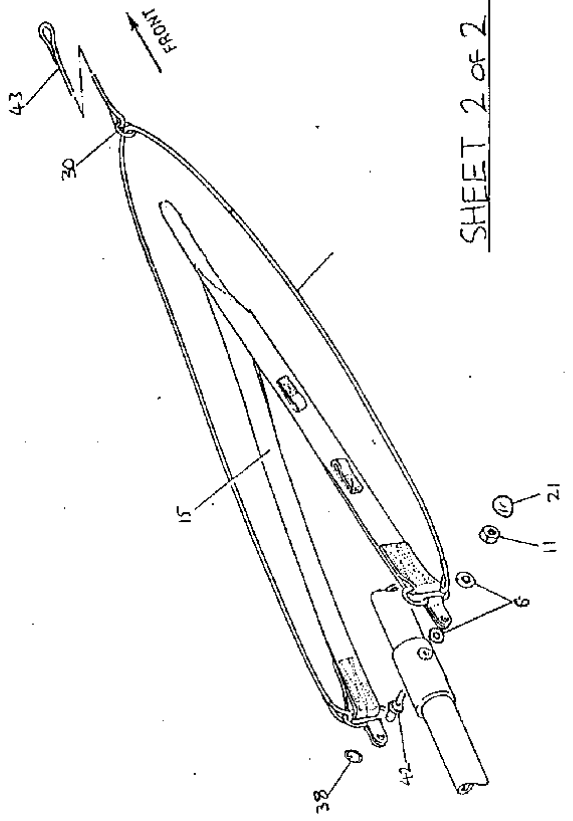
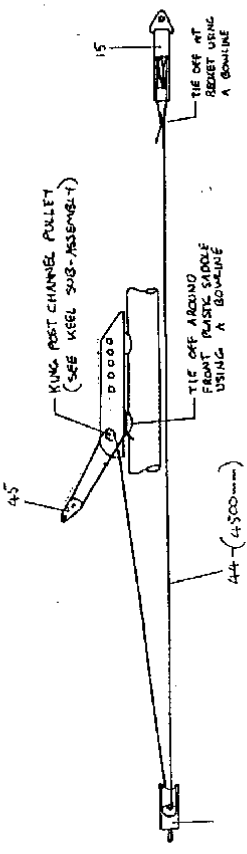
SHEET 3 OF 4  
19 SAIL, CARRYING & PACKING ASSEMBLIES

Item Part No.	Description	Quantity
47	Y24-055	1
48	Y21-060	1
49	Y210-002	1
	30 mm Vel Straps 1250/910L - 30 VS	
50	Y24-065	1
51	Y24-030	1
52	Y23-075	1
53	Y23-070	1
54	Y23-001	1
55	Y27-002	1
56	Y27-011	1
57	Y24-001	1
58	Y24-002	1
	3 Keel Rest Stud Pad	
	Bottom Bar Protection Pad	
	Top Knuckle Cover	
	Lower Knuckle Cover	
	Sutton Plan, Rumour Wing	
	Cap Sticker (Translucent)	
	ENG Sticker (Aggressive)	
	Rumour 14.5/13.5 Handbook	
	Spate parts Catalogue	
	(this Publication)	



SHEET 3 OF 4  
20 MAIN SAIL ASSEMBLY

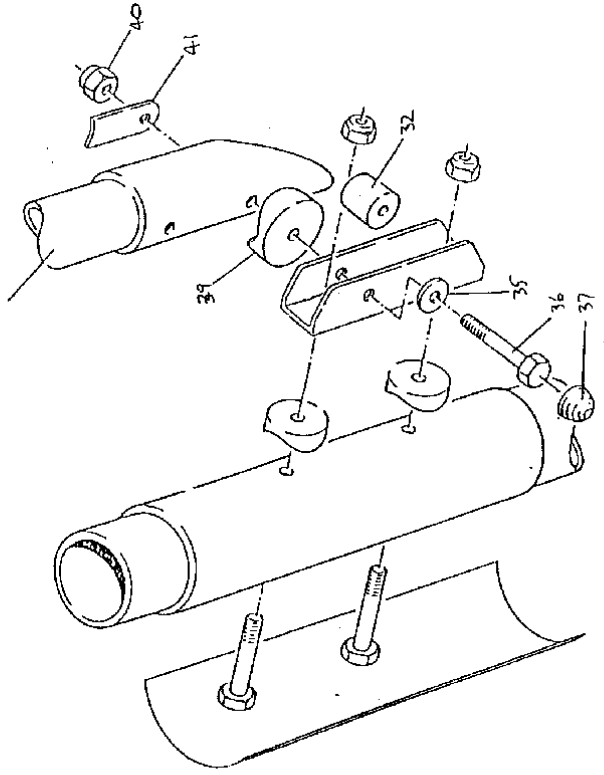
Item Part No.	Description	Quantity
59	Y24-025	1
60	Y21-043	1
61	Y24-043	1
62	Y2557-001	1
63	Y258-25	4
64	Y23-006	8
65	Y2-001	2
66	Y24A-034	2
	Main Sail	
	R. Nose Cone	
	Sail Wolar Inserts	
	No. 13 x 1" Countersunk FOS Gails/Walwarts	
	No. 25 mm Countersunk sleeved Set	
	Eyelet Specie	
	No. 10 Auto Lock Sliders, white	
	TIP RETENTION PIN	



SHEET 2 of 2

RUMOUR 3 TAM	PART No 120-31600				
CROSS SPAR SUB-ASSEMBLY					
SOLAR WINGS LTD	DESIGN 413/43	DATE	INITIALS	DATE	APPROVE
ELM TREE PARK				6/8/92	
MANTON					
MARLBOROUGH					
WILTSHIRE					
SN8 IPS					
TEL: 0572 565713					
		DATE	NAME		

5W-89016



LEADING EDGE TO CROSS SPAR ASSEMBLY

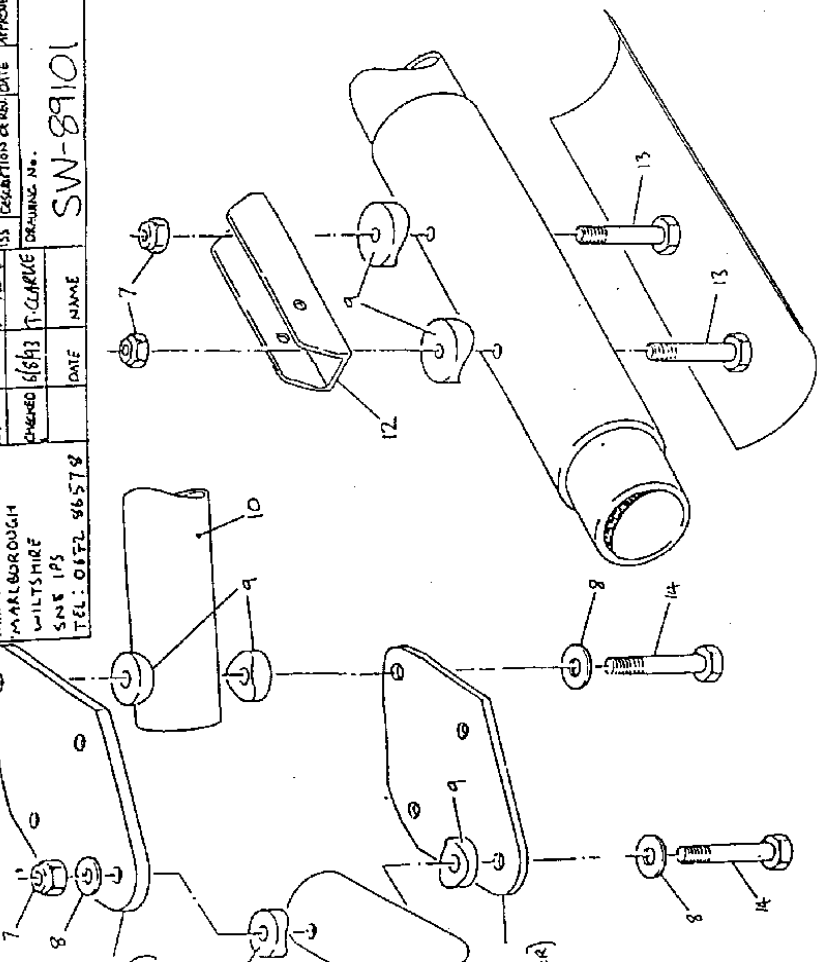
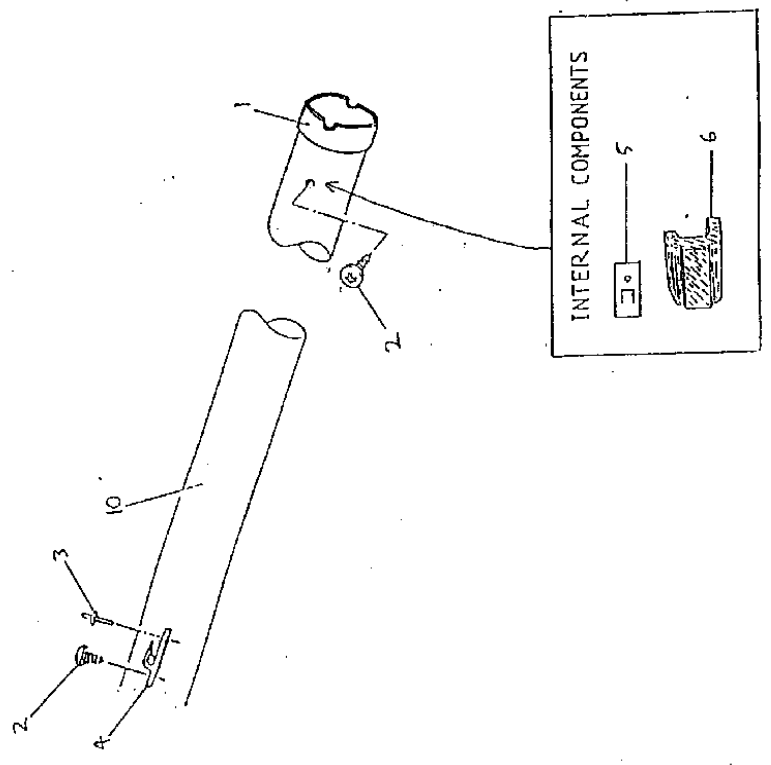
Item	Part No.	Description	Quantity	DRAWING No.
30	GEN-001	BRASS SPUR TOOTH GEARLET	2	---
31	UNR-001	650016 8 PLAIT NYLON CORD	2	---
32	ZSP-001	ACE Leading Edge Channel Spacer	2	---
33	FUMS-514	M5x10T SHAKPROOF WASHER	2	---
34	FMC-588	8 mm Skiffy Ring only	2	---
35	FMS-24	2-1/2" x 5/16 UNF Hex. Bolt	2	---
36	FMC-RSC3	8 mm Raised Sliffy - Cap only	2	---
37	FMS-001	SAFETY RING	2	---
38	FMS-WB-22	2-1/2" x 1/8 Plastic Saddle	2	---
39	FMS-NF	5/16" UNF P TYPE Nylock Nut	2	---
40	ZSP-023	Half Round Spacer R Type	1	---
41	FMS-023	RESTRAINT STUO	1	---
42	FMS-023	3mm SHOCK CORD	1	---
43	VDC-001	4mm 8 PLAIT CORD	1	---
44	RP-14	MACRO 216 INLINE 19mm	1	---
45	ZSP-034	R/2 CROSS SPAR SPACER	1	---
46				---

SW-87255  
SW-9081

RUMOUR 3 14mm PART No 712-31200  
**LEADING EDGE SUB-ASSEMBLY**  
 SOLAR WINGS LTD  
 ELM TREE PARK  
 MANTON  
 MARLBOROUGH  
 WILTS HIRE  
 SWS IPS  
 TEL: 01272 96578

DESIGNED	DATE	NAME	ISS	DESCRIPTION OR REV. DATE	APPROVED
CHANGED 6/8/83			4	INITIAL ISSUE 5/8/83	
				ISS	
				DRAWING NO.	

10188M  
 SW-89101



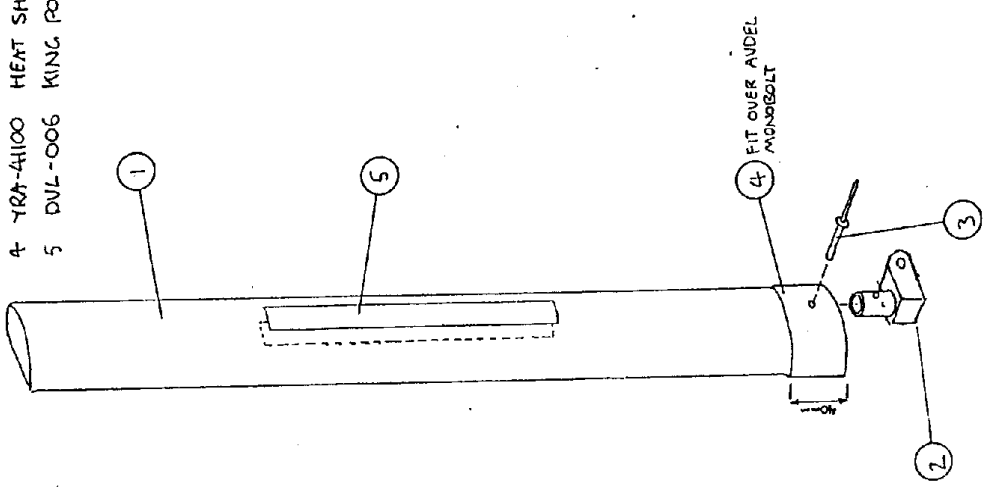
Item Part No.	Description	Quantity	DRAWING No
1	ZMA-CMO TIP TURN ADJUSTER	2	SW-00044
2	FMSST-001 NO. 12 x 3/4" Pan Head POS Self/Tapscrew	4	
3	FRA-16-001 1/8" dia. x 1/2" Alloy Pop Rivet	2	
4	FHX-005 Jam Clear Nylon 67 mm 5x12x	2	
5	FNX-002 No. 12 U Type Splice Nut	2	
6	FHM19-001 22 mm Pipe Insulation Climatube	3	

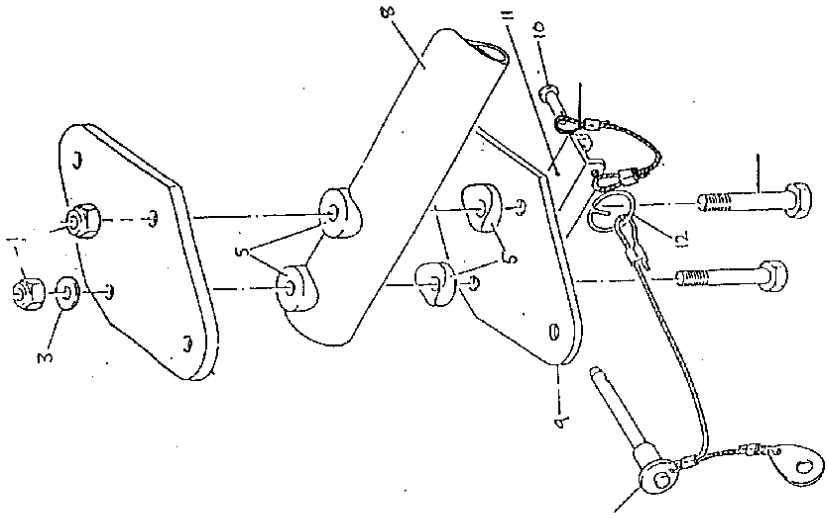
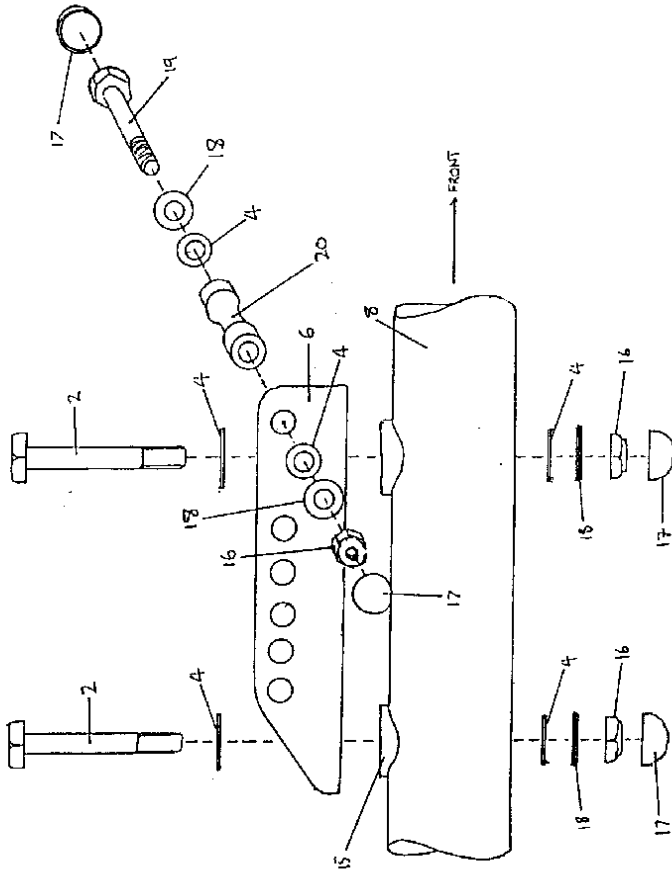
Item Part No.	Description	Quantity	DRAWING No.
7	FBU4-NP 1/4" UNF 2 Type Nylock Nut	6	
8	FH4-T4 Washer, 1/4"	4	
9	FHS-HB-17 HB Plastic Saddle	8	
10	712-31200 Right Hand Leading Edge Assembly	1	SW-89015
11	712-31100 Left Hand Leading Edge Assembly	1	SW-89015
12	ZEH-003 ACE LEADING EDGE CHANNEL	2	SW-89028
13	FBU4-24 2-1/2" x 1/4" UNF HEX. BOLT	4	
14	FBU4-26 2-1/4" x 1/4" UNF Hex. Bolt	2	



- 1 YRA-4100 KING POST 1 SW-81023
- 2 ZMA-336 KING POST FOOT 1 SW-9004
- 3 FR6-12-002 3/16" DIAMETER x 3/8" 1 --
- AVDEL MONOBOLT
- 4 YRA-4100 HEAT SHRINK 1 --
- 5 DVL-006 KING POST STICKER 2 --



YRC-4000 R21002.2/3				
KING POST SUB-ASSEMBLY				
SOLAR WINGS LTD.	DESIGN 6/8/70 T.L.L.K.W.			
ELM TREE PARK	APPROVED		A INITIAL ISSUE	4/8/73
MANTON	CHECKED		ISS	DESCRIPTION OF REV. DATE
MARLBOROUGH				
WILTSHIRE				
SN8 1PS				
TEL: 0672 55578				
	DATE	NAME	DRAWING No.	
			SW-89928	



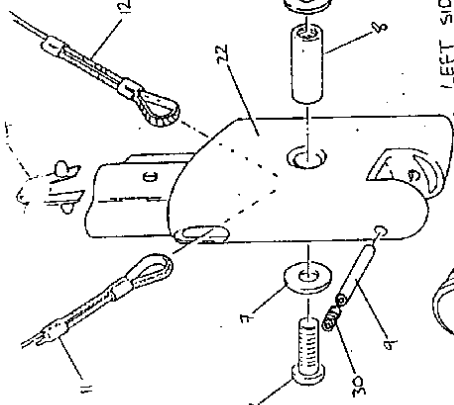
Item Part No.	Description	Quantity
1	1/4" UNF * 0.437" THIN Nylock Ins. Nut	2
2	6mm x 60mm HEX. BOLT	2
3	WASHER, 1/4"	1
4	WASHER, 1/4"	4
5	M8 Plastic Saddle	1
6	M8 Plastic Channel	1
7	Nose Hand Loop	1
8	Keel Tube	1
9	Nose Plate	1
10	1/4" * 3/16" Steel Clevis Pin	1
11	Nose (S) Catch Channel	1
12	9/8" Safety Ring	2
13	2-3/4" * 1/4" UNF Hex. Bolt	1
14	22 mm Push Pin	1
15	2 1/2" x 3/8" SADDLE	2
16	6mm x 1" TYPE NUT (NUTLOCK)	2
17	SKIFFY CAP - 6mm	2
18	SKIFFY WASHER - 6mm	2
19	6mm x 35 HEX. BOLT	1
20	PULLEY	1

KEEL SUB-ASSEMBLY		PART No.	
RUMOUR TWO 14M		REC-51300	
RUMOUR THREE 14M		6/8/93 T. CLARKE	
SOLAR WINGS LTD	APPROVED	ISS	DATE 16/8/93
ELM TREE PARK	CHANGED	DESCRIPTION OR REVISE	APPROVED
MANTON			
MARLBOROUGH			
WILTSHIRE			
SMS IPS			
TEL: 0572 855218			
	DATE	NAME	DRAWING No.
			SWF-89102

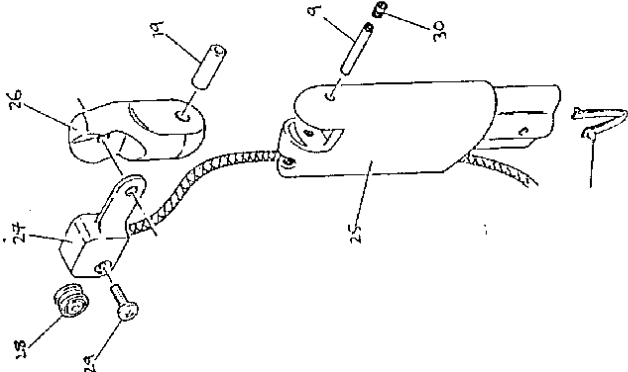
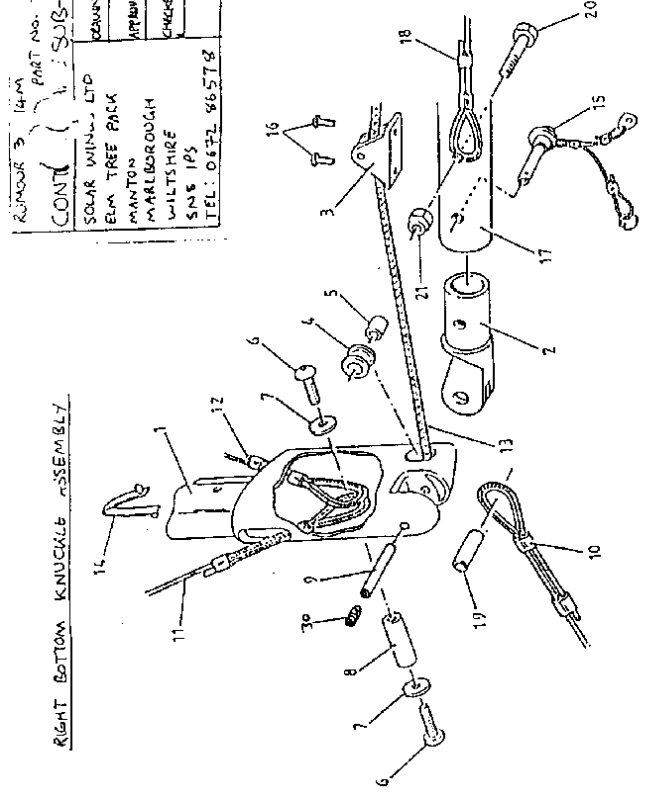
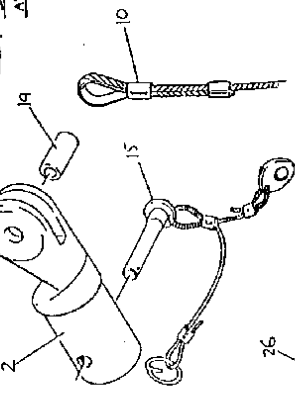
REVISED 14M	PART No. 74C-5000	DATE	NAME	DRAWING No.
CONTROL SUB-ASSEMBLY	DESIGN 161953 T. CLERGE	APPROVED		SW-89979
SOLAR WINCH LTD	ELM TREE PARK	MANITON	MARLBOROUGH	WILTSHIRE
SNS 1PS	TEL: 0671 865718	DATE	NAME	

SHEET 1 OF 2

RIGHT BOTTOM KNUCKLE ASSEMBLY



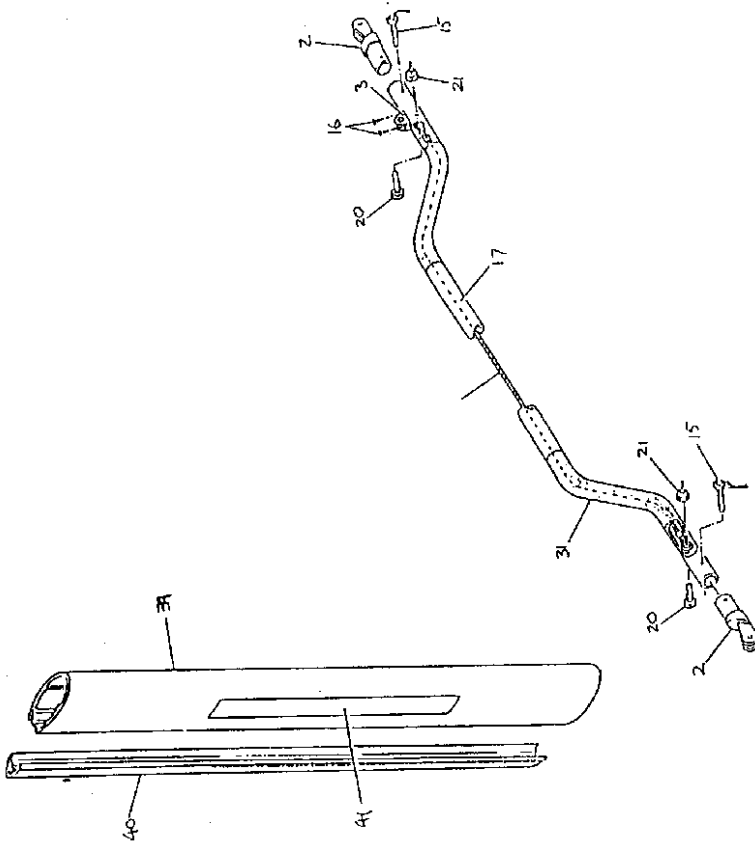
LEFT SIDE BOTTOM KNUCKLE ASSEMBLY



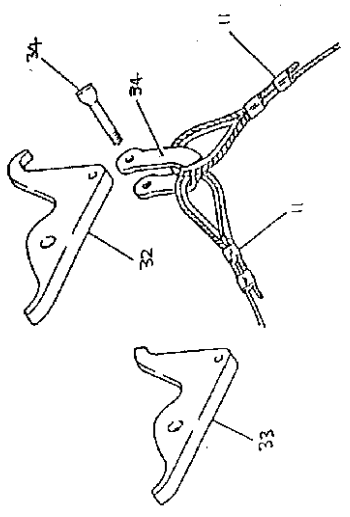
LEFT HAND SIDE TOP KNUCKLE ASSEMBLY

RIGHT HAND SIDE TOP KNUCKLE

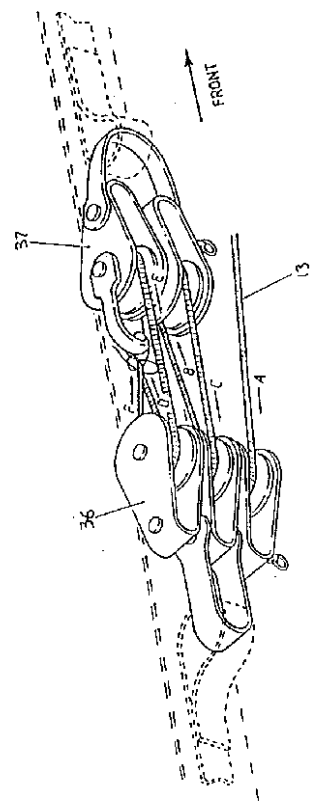
Item Part No.	Description	Quantity	DRAWING No
1	ZXN-118 Control Frame Lower Casting MCVB	1	SW-88541
2	ZXN-114 Base Bar Knuckle - R Type	2	SW-89003
3	RH-2 6 mm Lence Cleat - R3595	4	
4	ZMA-016 R Aluminium V8 Pulley	4	
5	BEA-016 Glacier Bush Bearing	4	
6	FMSU-001 10NF * 3/8" Button Cheesehead PVC Patch	2	SW-90173
7	FMS-T3 3/16" Mild Steel Washer T3LP	4	SW-90276
8	FNX-001 10NF * 5/16" O/D * 20 mm Thread Conn.	4	SW-90244
9	ZMA-156 Control Frame Hinge Pin	4	SW-90244
10	YRC-61100 Lower Side Rigging	4	
11	YRG-61200 Lower Front Rigging	4	
12	YRG-61300 Lower Rear Rigging	4	
13	YRA-53500 V8 Rope	2	SW-89926
14	FPP-001 Double Button Clip Steel Pin	2	
15	FP-002 36 mm Push Pin	2	
16	FR4-16-001 1/8" dia * 1/2" Alloy Pop Rivet	2	
17	YRA-51201 Speed Set Cable	2	
18	YRA-61400 Knuckle Pivot Bearing, Delrin	2	
19	FMP-015 1-1/2" * 1/4" UNF Hex Bolt	2	
20	FBUA-14 1/4" UNF Type Nylon Nut	2	
21	FNUA-NP CONTROL FRAME LOWER CASTING	2	
22	ZKN-117 CONTROL FRAME TOP CASTING	2	
23	ZMA-115 CONTROL FRAME SWIVEL	2	
24	ZMA-013 CONTROL FRAME TOP CASTING	2	
25	ZNK-116 CONTROL FRAME TOP CASTING	2	
26	ZMA-014 CONTROL FRAME SWIVEL (V8)	2	SW-38540
27	ZMA-017 PULLER BLOCK - V8	2	SW-88542
28	RP-10 MICRO BALL BEARING BLOCK	2	SW-89455
29	FMO34-15 M4x15 mm GRAS P/N HEAD 1/4"REW PARTCH	2	SW-90359



Item Part No.	Description	Quantity	Drawing No.
39	Hockey stick shafts	2	SW-88144
40	S. CATCH, ANODISED (CVA. VERSION)	1	---
41	S. CATCH, ANODISED (GREENAN)	1	---
	5 mm STRIP SHACKLE, 50x3x54	1	---
36	TABLE BLOCK TFOO5-R TYPE	1	---
37	DOUBLE BLOCK AND BRACKET - R TYPE	1	---
39 } 40 } 41 }	R Control Frame Side Assembly	2	SW-88024



SHEET 2 OF 2



RUMOUR 3 14-1		PART No. 782-50000	
CONTROL FRAME SUB-ASSEMBLY			
SOLAR WINGS LTD	DESIGNED BY	T. CLARKE	A
ELM TREE PARK	APPROVED		INITIAL ISSUE
MANITON	CHECKED		DATE
MARLBOROUGH			DESCRIPTION OF REV. DATE
WILTS HIRE			ORANGE No.
SMS IPS			DATE
TEL. 01225 565715			NAME
			SYN-89929

(2)