



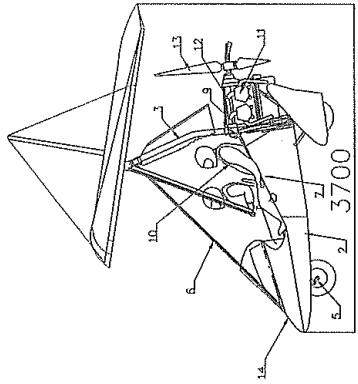
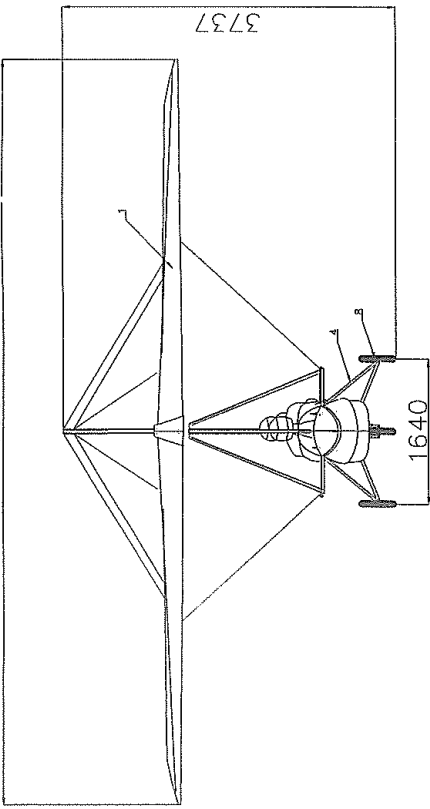
P&M Aviation Ltd
Unit B
Crawford Street
Rochdale
Lancashire OL16 5NU
Great Britain
Tel: +44 (0) 1706 655134
Fax: +44 (0) 1706 631561
flying@pmaviation.co.uk

Quik Wing Illustrated Parts Catalogue

Contents	Page No
YQC-000 Pegasus Quik	2
YQC-001 Quik GA	3
YQC-010 Keel Assembly	4
YQC-017 Keel Rigging Strut Assembly	5
YQC-020 Leading Edge Assembly	6
YQC-030 Cross Boom Assembly	7
YQC-040 Control Frame	8
YQC-050 Wing Final Assembly	11
YQC-051 King Post Assembly	14
YQC-059 Trim Cable Assembly	15
YQC-070 Fin Tube Assembly	16
YQC-0401 Instructor Bar Assy.	17
YQC-038 Control Frame Assy. Mod193	18

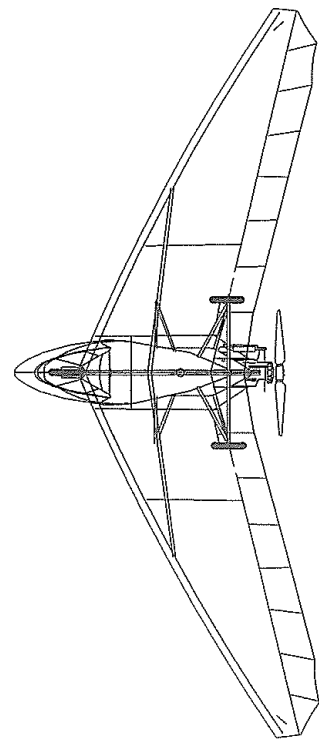
This manual should be used in conjunction with the Operators Manual. Some parts that are listed are not user serviceable. The following drawings are provided as a convenience to aid identification of parts for the ordering of spare parts from the factory. When ordering parts be sure to include the exact aircraft type and model, including engine number and aircraft registration/serial number, together with a description of the part and part number where applicable.

All drawings are copyright of P&M Aviation Ltd.



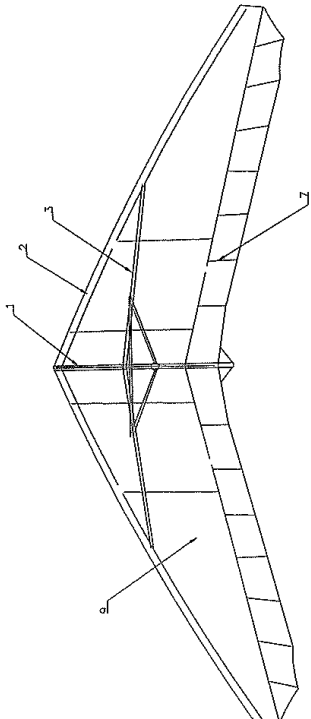
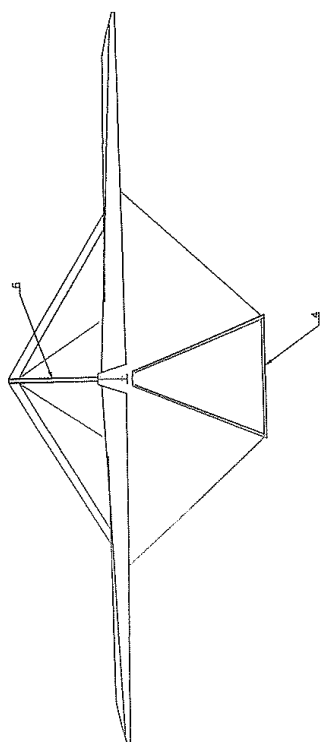
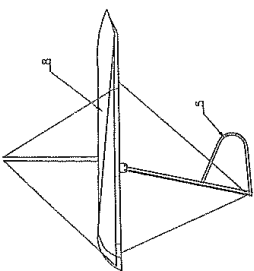
Drawing No
YQC-000

key	Description	Drawing No
1	QUIK WING	YQC-001
2	BASETUBE SUB ASSY	YQC-080
3	PYLON ASSY	YQC-090
4	MAIN SUBFRAME AND REAR U/C ASSY	SW-90250
5	FRONT U/C ASSY	SW-89250
6	FRONT STRUT ASSY	YQC-110
7	SEAT ASSY	SW-90253
8	BRAKE ASSY	YQC-130
9	FUEL SYSTEM ASSY	YQC-140
10	SEAT BELT ASSY	SW-90260
11	POWER PLANT ASSY	YQC-160
12	THROTTLE AND CHOKE ASSY	SW-90257
13	PROPELLER FITTING	YQC-180
14	FAIRINGS AND FRONT STRUT LOWER ASSY	YQC-200
15	PLACARDS	SW90314
16	LYNX COMMS FIT	LYNX-DWG-07M
17	REAR STEERING BAR ASSY	SW-90252



PEGASUS QUIK ROTAX 912S FOUR CYLINDER ENGINE		Date	Name	Scale	Jig No.
		21/8/02	W.BROOKS	NTS	
PEGASUS AVIATION LTD Elm Tree Park, Manton Marlborough Wiltshire SN8 1PS Tel: 0672 86578		Drawn	Approved	Drawing No.	
		Checked		YQC-000	
DIMS IN MM GEN TOL+/-20mm UNLESS OTHERWISE SPECIFIED				Substituted for Replaced by	

Drawing No. QUIK GA

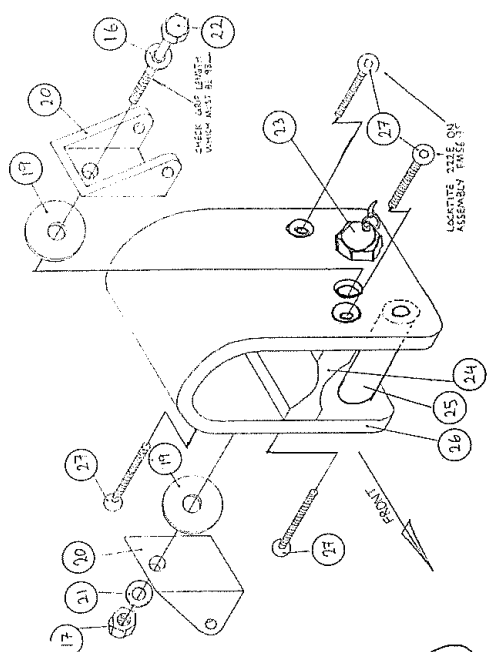
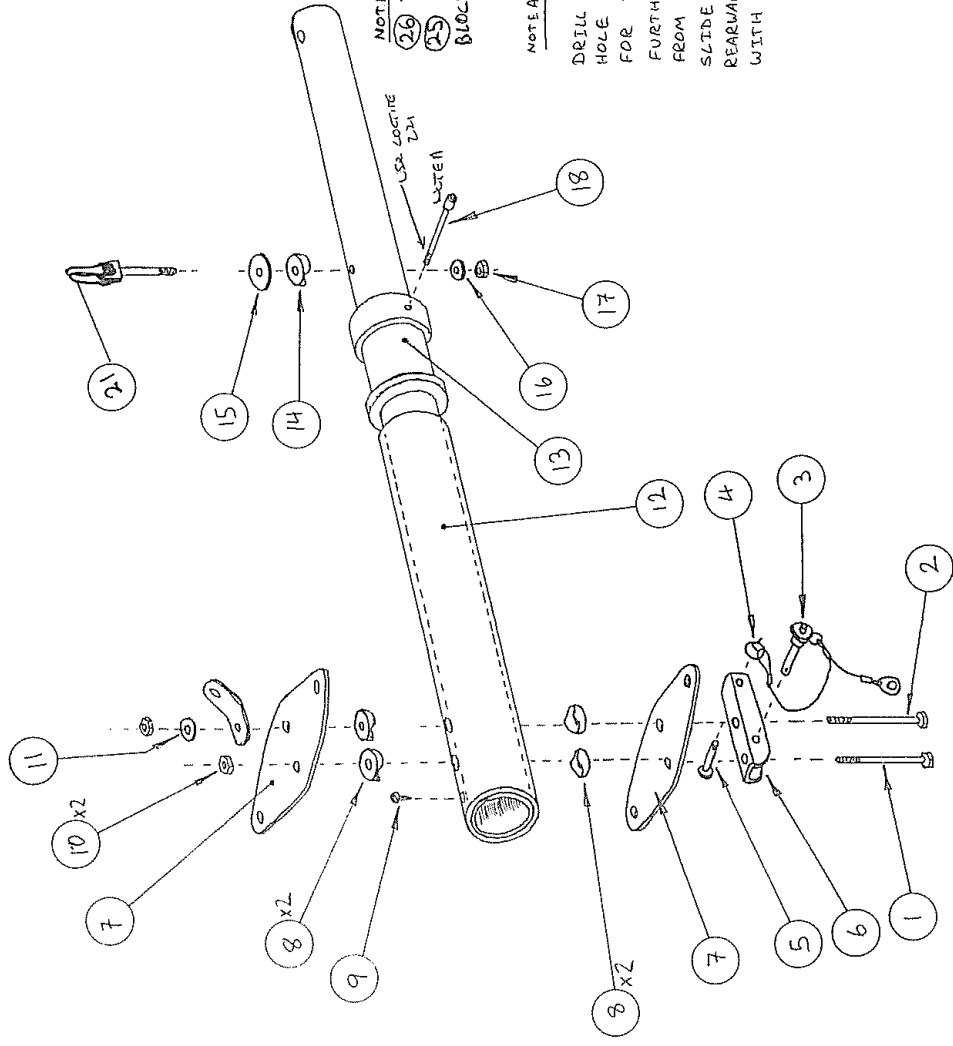


Number	Description	Quantity	Dwg./Part No.
1	KEEL ASSY	1	YQC-010
2	LEADING EDGE ASSY	2	YQC-020
3	CROSS SPAR ASSY	2	YQC-030
4	CONTROL FRAME ASSY	1	YQC-040
5	TRAINING BAR ASSY	2	YQC-0401
6	FINAL ASSY INCLUDING KING POST AND TOP RIGGING	1	YQC-050
7	BATTEN PLAN	1	YQC-71000
8	FIN TUBE ASSY	1	YQC-070
9	SAIL ASSY	1	YQC-060

<p style="text-align: center; font-size: 24pt; font-weight: bold;">PEGASUS QUIK WING</p>		Scale	NTS	Jlg No.
		Drawing No. YQC-001		
PEGASUS AVIATION LTD Elm Tree Park, Manton Marlborough Wiltshire SN8 1PS Tel: 0672 86578		Drawn Approved Checked	Date 21/8/02	Name [Signature]
DIMS IN MM GEN TOL + - 20mm		UNLESS OTHERWISE SPECIFIED		Substituted for Replaced by

Iss.	Description of revision	Date	Approved
2	KEY ADDED	21/6/06	[Signature]
1	INITIAL	21/8/02	[Signature]

NOTE NYLOCK NUTS SHOULD BE
TIGHTENED TO BRING THE ASSEMBLY
FIRMLY TOGETHER. DO NOT OVERTIGHTEN!



NOTE: SPRING ITEM
29 TO INSTALL SPACER
25 BEFORE FITTING
BLOCK 24

NOTE: FOR QUIK TOW
SYSTEM ONLY
DRILL ADDITIONAL 6mm
HOLE IN KEEL ONLY
FOR ITEM 18, 30mm
FURTHER TOWARDS REAR
FROM EXISTING HOLE.
SLIDE ITEM 18 30mm
REARWARD AND POSITION
WITH ITEM 18

27	M6 x 35mm COUNTER SINK CAP HEAD SCREW	4	FW35-35
26	QUIK ROLL BRACKET	1	ZMA-D41
25	SPACER	1	ZSP-091
24	ROLL BRACKET SPACER BLOCK	1	ZMA-023
23	QUIK HANG BOLT + LANYARD	1	YQB-31302
22	QUIK CHANNEL BOLT	1	ZMF-010
21	KEELPOST LOCATOR EYEBOLT ASSY	1	YQC-211
20	QUIK CONTROL FRAME CHANNEL	2	ZCH-001
19	10.5 ID X 32 OD IN CON WASHER	2	FWP-002
18	M6 X 30mm CAP HEAD BOLT	1	FCM6-80
17	M6 NYLOCK 1 TYPE NUT	2	FNW6-07
16	1/8" W/8" MILD STEEL WASHER	2	FW8-13
15	5/16" X 1 1/4" X 1/16" M/STEEL WASHER	1	FW5-14
14	1/8" X 1/4" X 1/16" PLASTIC SADDLE	1	FW8-18-211
13	ROLL BRACKET BEARING	1	FW8-14
12	DRUMWELD 2" / 50 . 22074	1, 33	PTJ2-002
11	1/4" M/STEEL WASHER TAP	2	ZMF-084
10	1/4" UNF "F" TYPE NYLOCK NUT	3	FW4-14
9	NO.10 X 1/4" PAN HEAD POSITION SCREW	1	FW4-NP
8	2 1/4" X 1/4" PLASTIC SADDLE	2	FW4-004
7	NYLOCK PLATES	2	FW4-004
6	NO.10 X 1/4" PAN HEAD POSITION SCREW	2	ZPL-003
5	1/8" SAFETY SPLIT RING	1	ZCH-008
4	1/8" SAFETY SPLIT RING	1	FFS1-001
3	22mm PUSH PINS	1	FF-001
2	3 1/4" X 1/4" UNF HEX BOLT	1	FBU4-34
1	3 1/4" X 1/4" UNF HEX BOLT	1	FBU4-32

SOLAR WINGS AVIATION LTD
ELM TREE PARK,
MANTON,
MARLBOROUGH,
WILTSHIRE,
SN11 8PT

Drawn 101002
Approved [Signature]
Checked [Signature]

Date

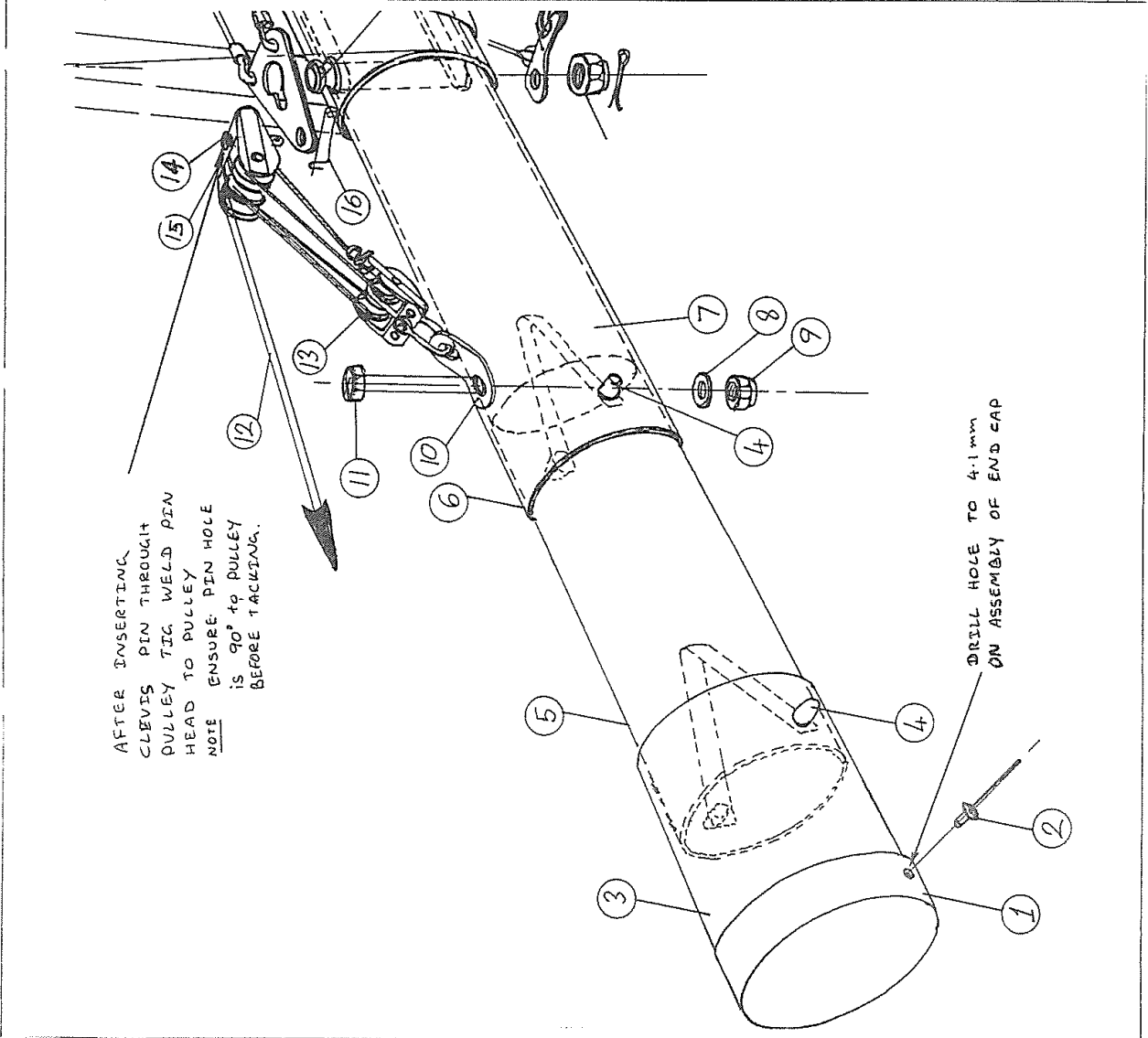
Drawing No YQC-010

REEL EYE BOLT MOD 180603
INITIAL ISSUE 1/1002

Part Description of revision Date Approved

SUB-ASSEMBLY QUIK KEEL ASSEMBLY

16	SAFETY PIN	1	FP-003
15	TRIPPLE PULLEY BLOCK	1	RP-8
14	4.75mmX15.8mm CLEVIS PIN	1	FPCP-005
13	TWIN PULLEY BLOCK	1	RP-9
12	3mm BLUE CHORD (6METRES)	6m	VNR-BL3
11	M6X60mm HEX HT BOLT	1	F8M6-60
10	5/16 HOLE LIGHT DUTY TANG	1	RT-185
9	M6 NYLOCK NUT 'T' TYPE	1	FNM6-NT
8	1/4 T.3 L.P. M/5 WASHER	1	FW4-T3
7	RIGGING TOOL SLT TUBE-INNER	1	YQC-014
6	RIGGING TOOL SLT TUBE-OUTER	1	YQC-013
5	RIGGING TOOL EXT TUBE-INNER	1	YQC-015
4	BUTTON PIN	2	FPBP-001
3	RIGGING TOOL EXT TUBE-OUTER	1	YQC-016
2	4mmX8mm ALLY POP RIVET	1	FR4-8-002
1	END CAP (YELLOW)	1	PEC50-001



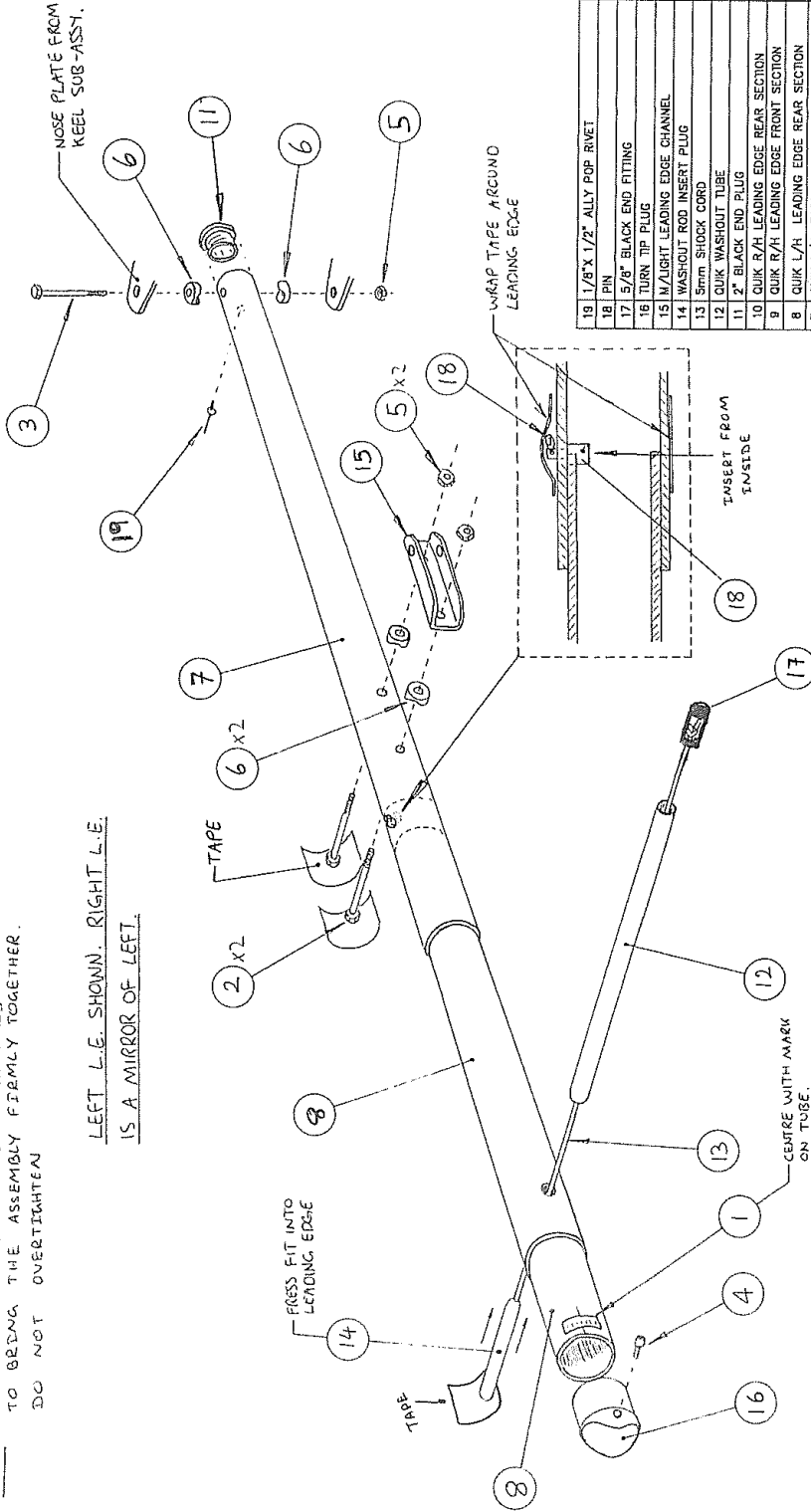
Date: 7/10/02
 Drawn: [Signature]
 Checked: [Signature]
 PEGASUS AVIATION
 Drawing/Part No: YQC-017

Iss: INITIAL ISSUE 7/10/02
 Description of revision: Approved
 Date: Approved
 QJUK KEEL RIGGING
 STRUT ASSEMBLY
 DIM. IN mm SCALE: NTS PROJ
 GEN. TOL. +-0.1

NOTE:

NYLOCK NUTS SHOULD BE TIGHTENED TO BRING THE ASSEMBLY FIRMLY TOGETHER. DO NOT OVERTIGHTEN!

LEFT L.E. SHOWN. RIGHT L.E. IS A MIRROR OF LEFT.

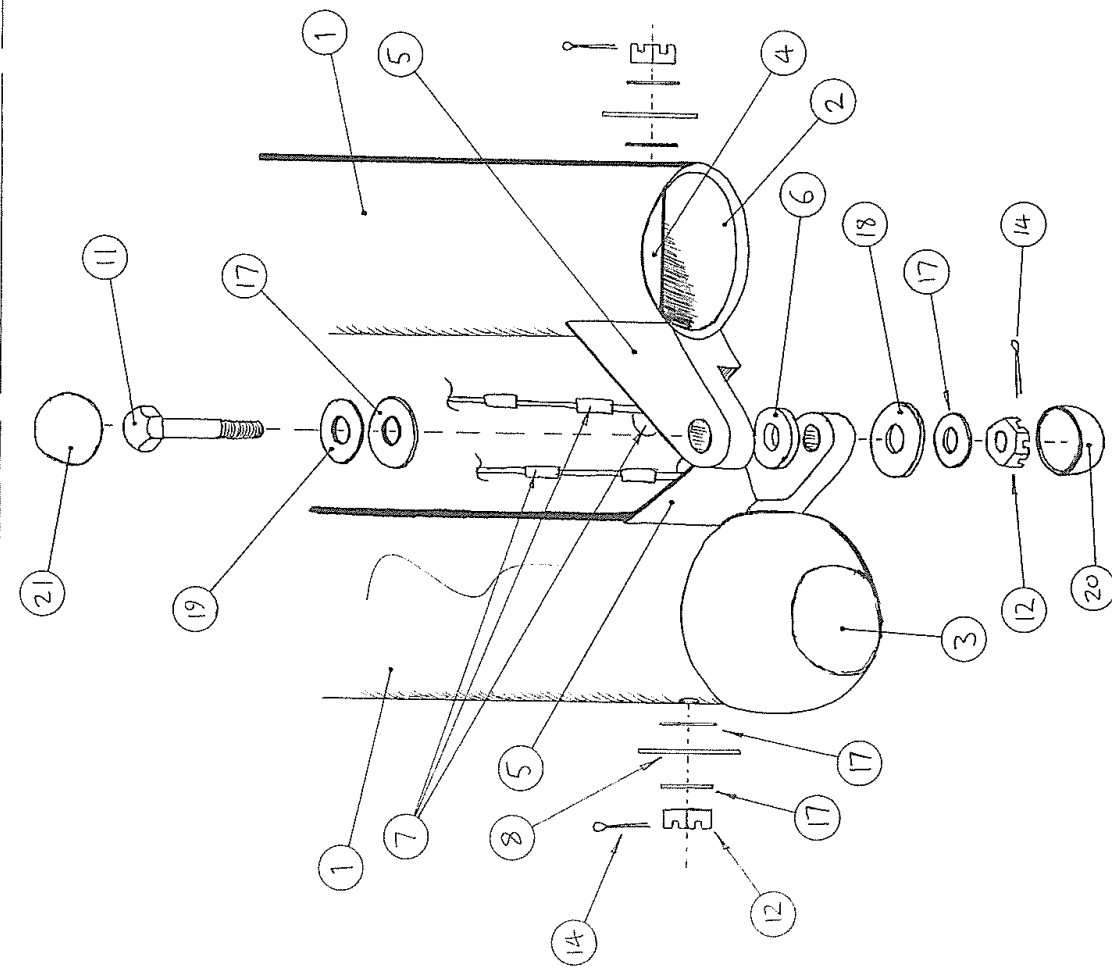


19	1/8" X 1/2" ALLY POP RIVET	2	FR4-18-001
18	PIN	2	FP-001
17	1/8" BLACK END FITTING	2	PEP-003
16	TURN TIP PLUG	2	ZMP-055
15	M/LIGHT LEADING EDGE CHANNEL	2	ZCH-018
14	WASHOUT ROD INSERT PLUG	2	ZIN-010
13	5mm SHOCK CORD	1.4M	VSS-001
12	QUK WASHOUT TUBE	2	YQB-72130
11	2" BLACK END PLUG	2	YQC-028
10	QUK R/H LEADING EDGE REAR SECTION	1	YQC-024
9	QUK L/H LEADING EDGE REAR SECTION	1	YQC-025
8	QUK L/H LEADING EDGE FRONT SECTION	1	YQC-023
7	QUK L/H LEADING EDGE FRONT SECTION	1	YQC-023
6	2 1/4 X MB PLASTIC SADDLE	8	PLS-M8-22
5	1/4 UNF P TYPE NYLOCK NUT	6	FN14-NP
4	M6 X 20mm SOCKET CAP SCREW	2	FCM6-20
3	3/16 X 1/4 UNF HEX BOLT	2	FBU4-32
2	1/4 UNF HEX BOLT	4	AN4-27A
1	TIP ADJUST PLACARD	2	DP-030

SOLAR WINGS AVIATION Ltd		Name	
Drawn	181002	Date	
Approved	181002	Checked	
ELM TREE PARK, MANTON, MARLBOROUGH, WILTSHIRE, SN81PS			

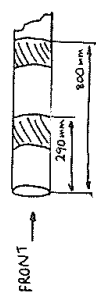
181002	INITIAL ISSUE	Date	
	Description of revision	Date	
	Iss.	Approved	

Sub-Assembly Quik Leading Edge Assembly Drawing No. YQC-020



NOTE: CASTLE NUTS SHOULD BE TIGHTENED TO BANG THE ASSEMBLY FIRMLY TOGETHER DO NOT OVERTIGHTEN.

FIT PROTECTOR SLEEVES TO X SPARS



QTY	DESCRIPTION	REF SW-	DWG NO	PART/FAST CODE
1	8mm SKIFFY CAP			PMC-SC8
20	10mm SKIFFY CAP (RAISED)			PMC-RSC10
19	8mm SKIFFY WASHER			PMC-S88
18	10mm SKIFFY WASHER			PMC-SB10
17	5/16" T1LP WASHER			FWS-13
16	SPARE			
15	SPARE			
14	1" x 1/16" SPLIT PIN			FPS-002
13	SPARE			
12	5/16" UNF CASLE NUT			FNU5-CN
11	ANS-15 AIRCRAFT HEX BOLT			FBA5-15
10	SPARE			
9	SPARE			
8	QUIK ANTI FLOAT WEBBING			Y8C-O2Z
7	QUIK RESTRAINT CABLE			Y8C-O3L
6	PIVOT BLOCK SPACER			B7253 ZSP-008
5	PIVOT BLOCK			B7252 ZMA-002
4	BALL SEAT BUSH (PART OF ITEM 2)			B7261
3	CROSS SPAR CENTRE BALL			ZNP-010
2	CROSS SPAR BALL SEAT			B7248 ZIN-008
1	CROSS SPAR			Y8C-031

SOLAR WINGS AVIATION Ltd
 ELM TREE PARK,
 WANTON,
 MARLBOROUGH,
 WILTSHIRE,
 SN81PS

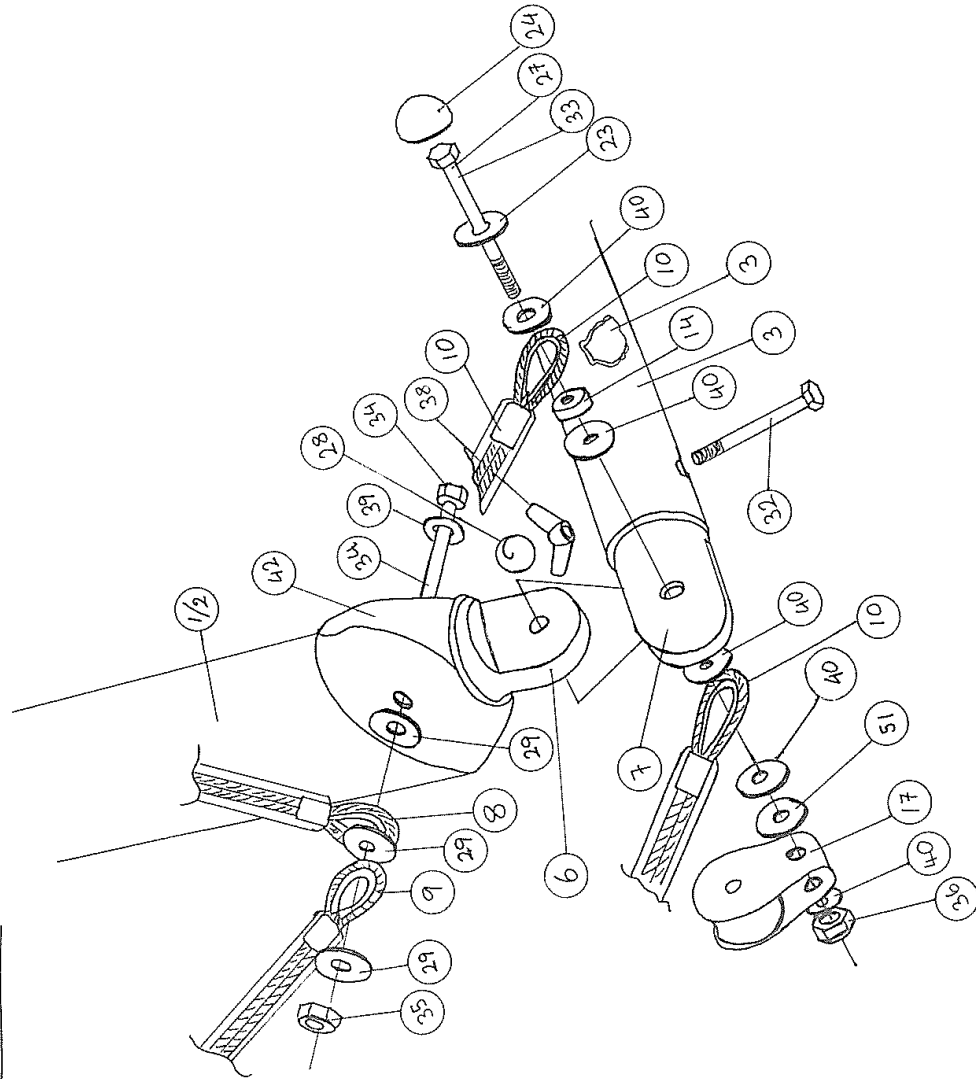
Drawn 181002
 Approved
 Checked

Initial Issue
 Description of revision
 Date

SUB-ASSEMBLY QUIK CROSS SPAR

Drawing No. YQC-030

SHEET 3 OF 3



QTY	DESCRIPTION	DWG NO	PARTY/FAST CODE
50	UPRIGHT INSERT TUBE (R/H)	YQC-048	
49	UPRIGHT INSERT TUBE (L/H)	YQC-048	
48	M6 NYLOCK 'I' TYPE	FNMB-NT	
47	M6 X 30 HT COUNTER SUNBREW	FMS6-35	
46	TRIMMER CRANK KNOB	PMM-045	
45	TRIMMER CRANK SPACER	ZSP-300	
44	M6 COUNTER SUNK SCREWS	FSC-M6-18	
43	TRIM CRANK PLATE	ZKN-130	
42	QUICK RUBBER END MOUNTING	PMM-046	
41	M4 X 4mm SET SCREW	FSM4-04	
40	5/16" MILD STEEL WASHER TAIL	FW5-14	
39	1/4" MILD STEEL WASHER TAIL	FW4-14	
38	1/4" UNF WING NUT	FNW4-WN	
37	M6 CASTLE NUT	FNMB-CN	
36	5/16" UNF P TYPE NYLOCK NUT	FNUS-NP	
35	1/4" UNF P TYPE NYLOCK NUT	FNUP-NP	
34	AN4-20A AIRCRAFT HEX BOLT	FBA4-2 A	
33	AN4-25A AIRCRAFT HEX BOLT	FBA5-25A	
32	AN4-15 AIRCRAFT HEX BOLT	FBA4-15	
31	M6 X 65mm CAP HEAD BOLT	FCM6-65	
30	1/16" x 1" STAINLESS STEEL SPLIT PIN	FFSP-002	
29	1/4 x 3/4-16 WASHER	FW4-12	
28	5/8" SAFETY RING	FFSR-001	
27	AN5-22A AIRCRAFT HEX BOLT	FBA5-22A	
26	3/16" DIA x 3/8" ANSEL	FR6-12-002	
25	MB-0812-DJ BEARING	BEA-BB-4	
24	8mm SKIFFY - CAP ONLY	PAC-SCB	
23	8mm SKIFFY - RING ONLY	PAC-SBB	
22	10mm RAISED SKIFFY CAP	PAC-RSCD	
21	10mm SKIFFY - RING ONLY	PAC-SB10	
20	1.7/8 x M6 PLASTIC SADDLE	PMS-5-25	
19	BASE BAR HAND GRIPS	PWM-008B	
18	LARGE PEGASUS 2 COLOUR STICKER	DVL-004	
17	TRIM PULLEY BLOCK	RP-19	
16	TRIM CABLE INDICATOR	ZM5-317	
15	MAX 1/0 WEIGHT PLACARD	DP-058	
14	BASE SIDE WIRE SPACER	ZSP-043	
13	TRIMMER CRANK WHEEL	ZMP-126	
12	PITCH TRIM PLACARD	DP-029	
11	TRIM CABLE ASSEMBLY	YQC-044	
10	LOWER RIGGING SIDE CABLE	YQC-045	
9	LOWER REAR RIGGING	YQC-046	
8	LOWER FRONT RIGGING	YQC-047	
7	CONTROL FRAME BASE TUBE KNUCKLE	ZKN-126	
6	CONTROL FRAME SIDE LOWER KNUCKLE	ZKN-127	
5	CONTROL FRAME SIDE UPPER KNUCKLE (RIGHT)	ZKN-128	
4	CONTROL FRAME SIDE UPPER KNUCKLE (LEFT)	ZKN-128	
3	CONTROL FRAME BASE TUBE	YQC-042	
2	CONTROL FRAME SIDE UPRITE (RIGHT)	YQC-043	
1	CONTROL FRAME SIDE UPRITE (LEFT)	YQC-041	

SOLAR WINGS AVIATION Ltd		Date	Name
ELM TREE PARK,	Drawn	101002	TGS
MANTON,	Approved	12/10/02	
MARLBOROUGH,	Checked	4/1/04	
WILTSHIRE,			
SNBTPS			

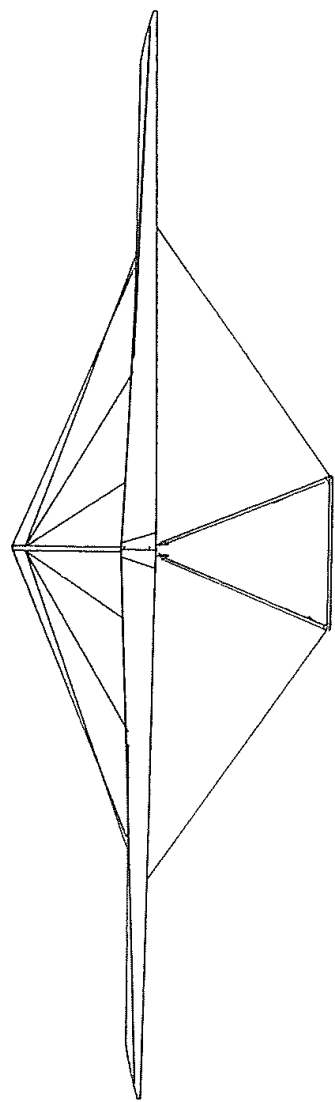
1	PLASTIC WASHER	1	FWP-007	SNBTPS
---	----------------	---	---------	--------

1	DESCRIPTION OF REVISION	DATE	APPROVED
1	INITIAL ISSUE	101002	

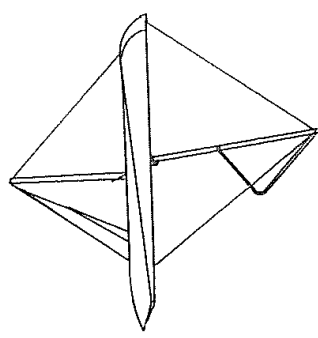
Drawing No. YQC-040
 SUB-ASSEMBLY QUICK CONTROL FRAME

SHEET 1 OF 3

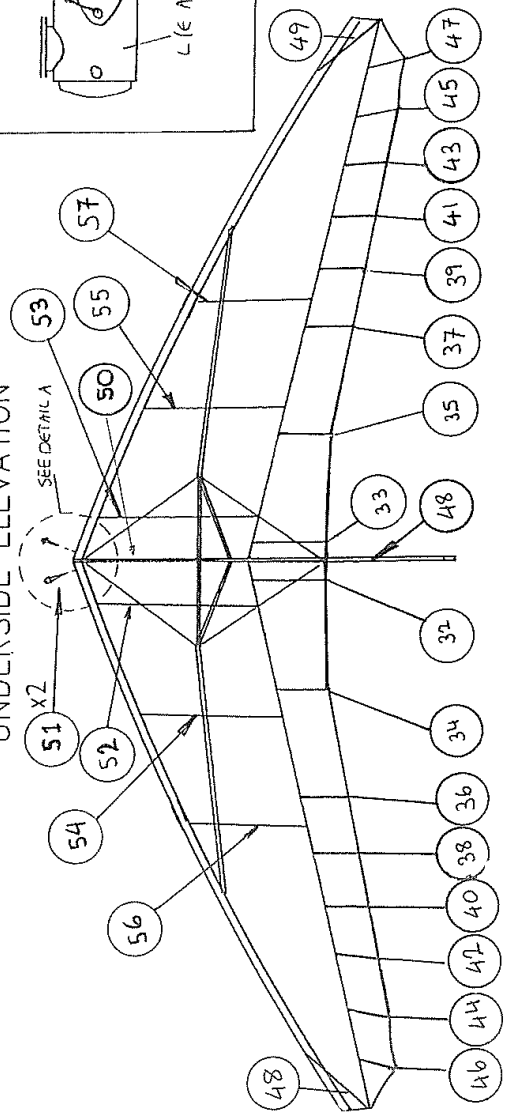
FRONT ELEVATION



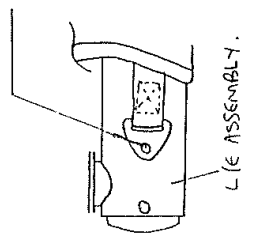
SIDE ELEVATION



UNDERSIDE ELEVATION



DETAIL A



PULL TANG FORWARD, ENSURING THE WEBBING IS JUST TAUGHT AND IN LINE WITH THE LEADING EDGE TUBE. MOVE TANG DIRECTLY REARWARD 15mm, FROM THIS POSITION; ALONG THE LEADING EDGE TUBE. MARK HOLE THROUGH TANG ONTO THE TUBE. DRILL HOLE ϕ 4mm THROUGH ONE WALL USING MARK FOR POSITION. USE ITEM (42) TO ATTACH TANG TO LEADING EDGE. REPEAT PROCEDURE FOR OPPOSITE SIDE.

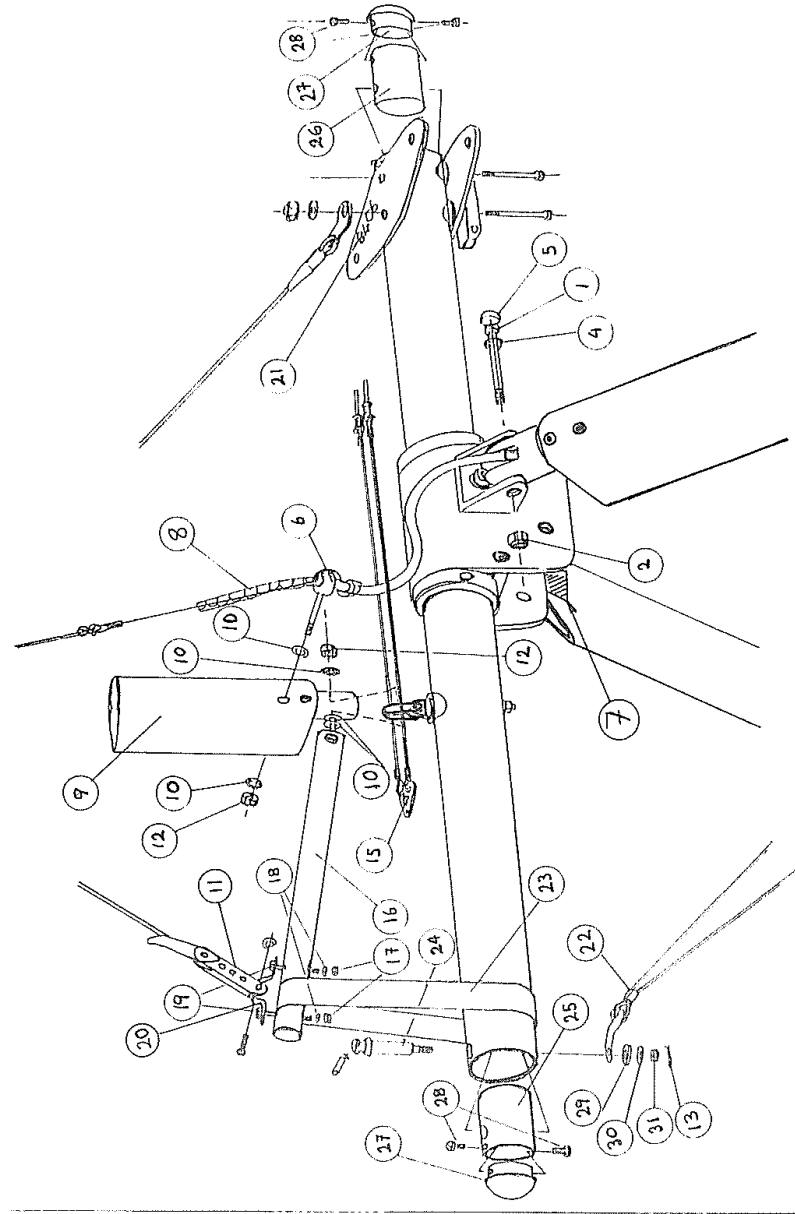
SOLAR WINGS AVIATION Ltd		Date	Name
ELM TREE PARK, MANTON, MARLBOROUGH, WILTSHIRE, SN81PS		101002	TGS
		Approved 18/10/02	MBLA
		Checked 18/10/02	MBLA

Iss.	Description of revision	Date	Approved
A	INITIAL ISSUE	141002	MBLA

SUB-ASSEMBLY QUIK FINAL ASSEMBLY

Drawing No. YQC-050

SHEET 2 OF 3



QWS NO	DESCRITION	QWS NO	PART/FAST CODE
50	QUIK NOSE RIB	1	YQC-71300
49	QUIK LH UPPER RIB 9	1	YQC-71250
48	QUIK RH UPPER RIB 9	1	YQC-71150
47	QUIK LH UPPER RIB 8	1	YQC-71245
46	QUIK RH UPPER RIB 8	1	YQC-71145
45	QUIK LH UPPER RIB 7	1	YQC-71240
44	QUIK RH UPPER RIB 7	1	YQC-71140
43	QUIK LH UPPER RIB 6	1	YQC-71235
42	QUIK RH UPPER RIB 6	1	YQC-71135
41	QUIK LH UPPER RIB 5	1	YQC-71230
40	QUIK RH UPPER RIB 5	1	YQC-71130
39	QUIK LH UPPER RIB 4	1	YQC-71225
38	QUIK RH UPPER RIB 4	1	YQC-71125
37	QUIK LH UPPER RIB 3	1	YQB-71220
36	QUIK RH UPPER RIB 3	1	YQC-71120
35	QUIK LH UPPER RIB 2	1	YQC-71210
34	QUIK RH UPPER RIB 2	1	YQC-71110
33	QUIK LH UPPER RIB 1	1	YQC-71200
32	QUIK RH UPPER RIB 1	1	YQC-71100
31	1/4 NYLOCK 'F' TYPE NUT	1	FNUJ-NP
30	1/4X3/4-16 WASHER	1	FV4-12
29	SKIFFY WASHER 10mm	4	PAC-5B10
28	M6X10 PLASTIC PAN HEAD SCREW	4	PEP13-001
27	1.5/8" BLACK END PLUG	2	PEP13-001
26	KEEL RIGGING STRUT ADAPTER (FRONT)	1	YQC-018A
25	KEEL RIGGING STRUT ADAPTER (REAR)	1	YQC-018B
24	KEEL RESTRAINT STUD	1	FMS5-1
23	KEEL POCKET LOAD STRAP	1	YQC-083
22	LOWER REAR WIRE ASSY	1	YQC-046
21	LOCATION OF SERIAL NUMBER	-	-
20	DECK EYE STAINLESS STEEL	1	YQB-1
19	M6X35mm HEX HT BOLT	2	YQB-71140
18	3/16 WASHER	2	W98A-12
17	M5 NYLOCK 'T' TYPE NUT	2	FNB3-N1
16	FIN TUBE ASSY	1	YQC-070
15	RESTRAINT CABLE ASSY	1	YQC-032
14	SKIFFY CAP 10mm	4	PAC-RSC10
13	M5-8-8 LOC LOCK (TO TANK)	1	FPSP-002
12	M6 NYLOCK 'T' TYPE NUT	2	FMB6-N1
11	UPPER RIGGING REAR LINK WIRE	1	YQC-054
10	1/4 M/STEEL WASHER TAILP	5	FMW-T4
9	KING POST ASSY	1	YQC-051
8	SPIRAL WRAP CABLE (SMALL)	1	MSW-002
7	LOCKYAKETHRENE TAPE	1	PACTAPE2
6	TRIM CABLE	1	YQC-044
5	SKIFFY CAP 8mm	2	PAC-SC8
4	SKIFFY WASHER 8mm	2	PAC-SB8
3	M6 NYLOCK 'T' TYPE NUT	2	FNB6-N1
2	M6X50mm HEX HT BOLT	2	FMB6-50

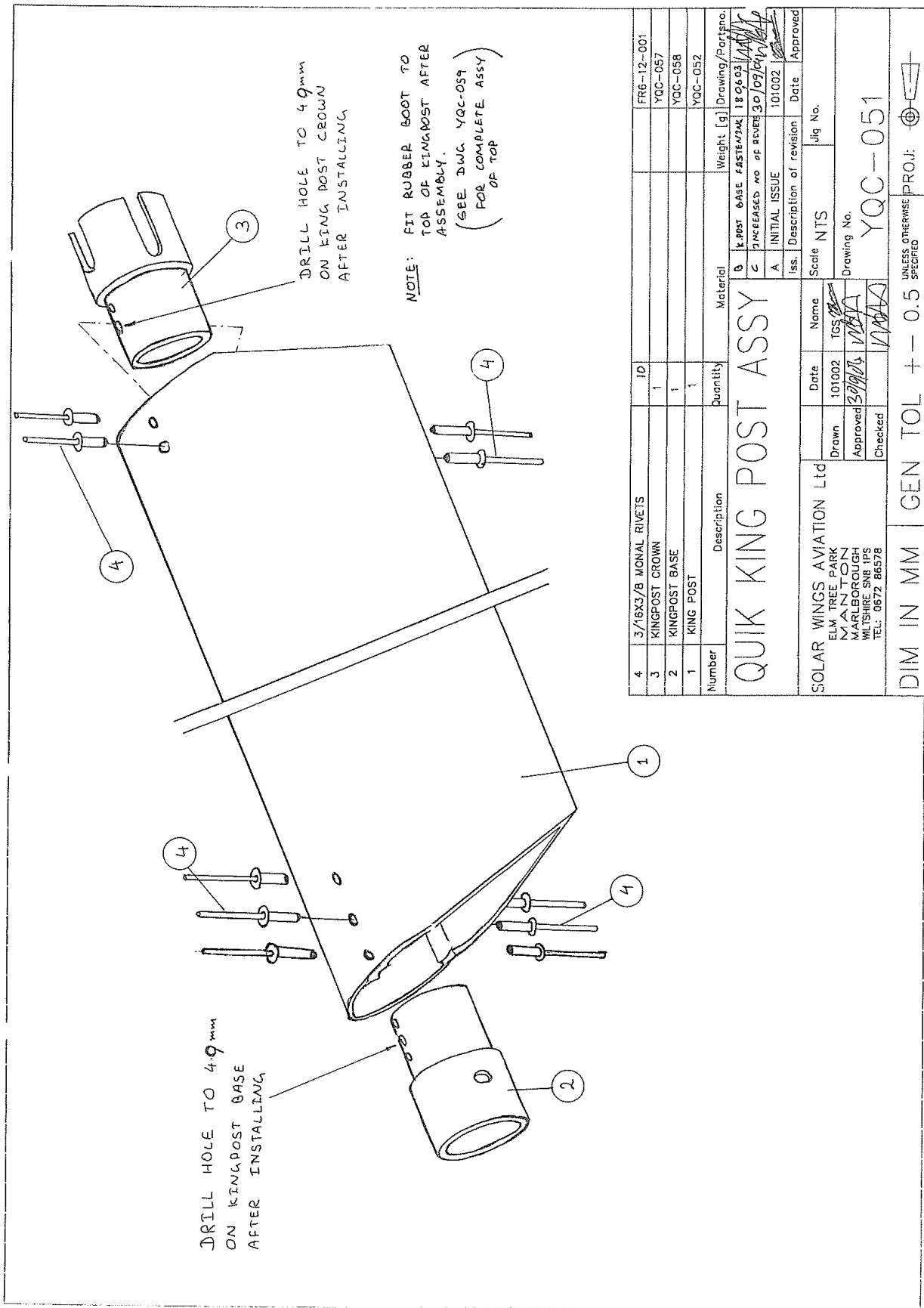
SOLAR WINGS AVIATION Ltd
 ELM TREE PARK,
 MANTON,
 MARLBOROUGH,
 WILTSHIRE,
 SN1P5

Drawing No. YQC-050
 Date 10/10/02
 Drawn 101002 TGS
 Approved 10/10/02
 Checked 10/10/02

C	NO PVC COATS	18 0603
B	EYE BOLT SHACKLE MOD	18 0603
A	INITIAL ISSUE	141002

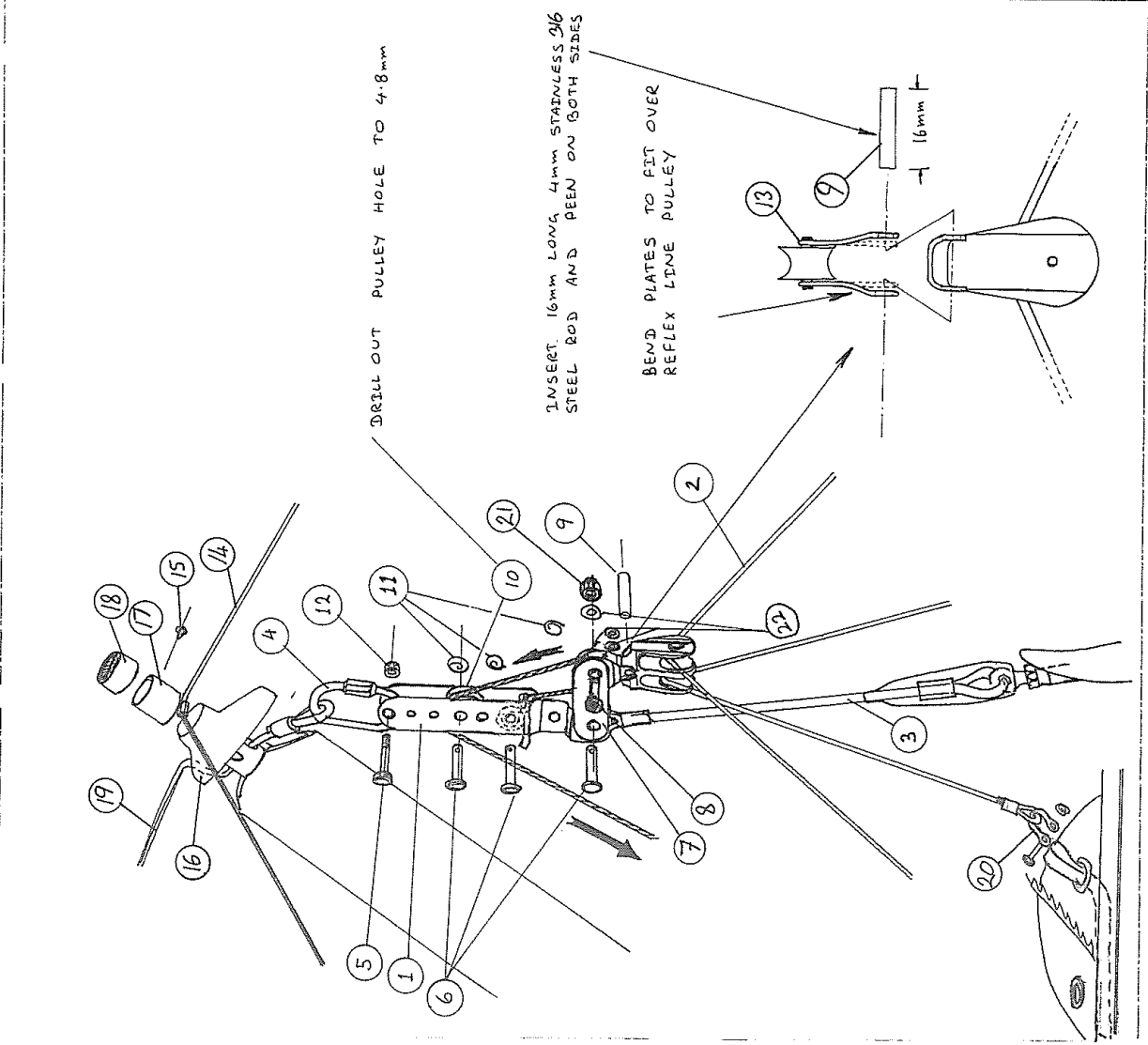
ISS Description of revision Date Approved

SUB-ASSEMBLY QUIK FINAL ASSEMBLY



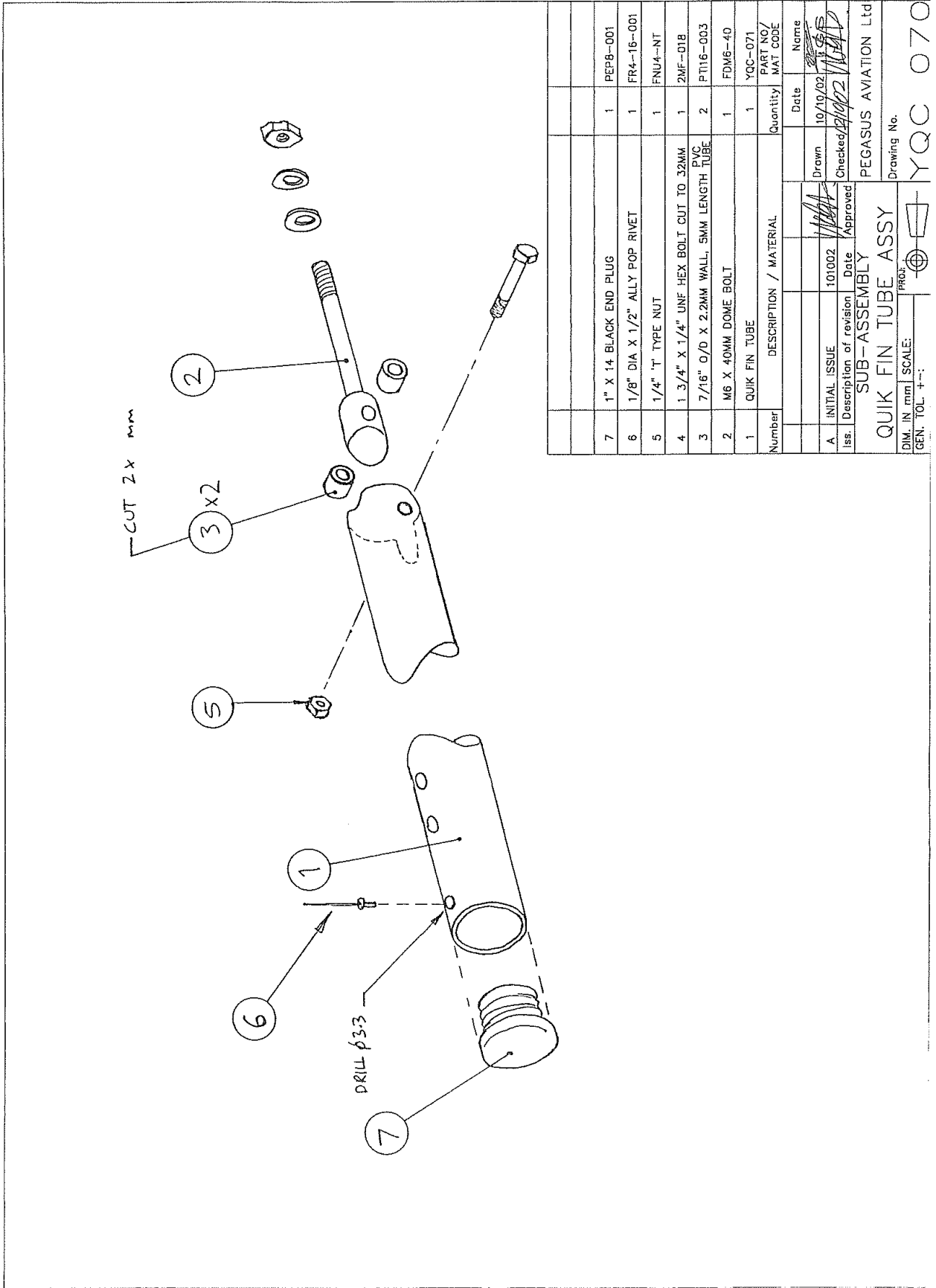
4	3/16X3/8 MONAL RIVETS	ID		FRG-12-001	
3	KINGPOST CROWN	1		YQC-057	
2	KINGPOST BASE	1		YQC-058	
1	KING POST	1		YQC-052	
Number	Description	Quantity	Material	Weight [g]	Drawing/Partno.
QUIK KING POST ASSY					
SOLAR WINGS AVIATION Ltd		Date	Name	Scale	NTS
ELM TREE PARK		101002	TGS		
MANTON		Drawn			Drawing No.
MARLBOROUGH		Approved			YQC-051
WILTSHIRE SN8 1PS		Checked			
TEL: 0672 86578					
DIM IN MM		GEN TOL + - 0.5		UNLESS OTHERWISE SPECIFIED	

22	STEEL WASHER	3	FW26A-T2
21	M4 NYLOC NUT	1	FMM4-NP
20	SHACKLE WITH CLEVIS PINNING	4	RS-4
19	UPPER FRONT RIGGING	1	YQC-055
18	CAP	1	PEC10-001
17	5-MIGRUST CROWN SLEEVE	1	YQB-41010
16	PVC MANHOLED BOOT	1	FMM-046
15	1/8" COP RIVET	1	FR4-16-001
14	UPPER SIDE RIGGING	1	YBT-62100
13	PULLEY BLOCK	1	RP4
12	M5 .T. TYPE NYLOCK NUT	1	FNM5-NT
11	3/8" SPLIT RING	3	RP-20
10	20MM PULLEY	1	RP-20
9	4MM STAINLESS STEEL ROD	1	ZMF-037
8	M4 HIGH TENSILE BOLT	1	ZMF-036
7	TRIM LINK PLATE	2	ZPL-148
6	4.75MM CLEVIS PIN	1	FPCB-004
5	M5 HEX HEAD BOLT	1	FBM5-30
4	MALLON RAPIDE	1	RA-7
3	CLICK UPPER RIGGING REAR LINK WIRE	1	YQC-054
2	QUICK REFLEX CABLES ASSY	1	YQC-056
1	TRIM PULLEY PLATE	1	YQC-183



Drawn	7/10/02	TGS
Checked	8/10/02	WJL
Date	7/10/02	TGS
Initial Issue	7/10/02	TGS
Description of revision	Date	Approved
PEGASUS AVIATION		
Drawing/Part No: YQC-059		

QUIK TRIM CABLE ASSEMBLY
 DIM. IN mm SCALE: NTS
 GEN. TOL. ±.1



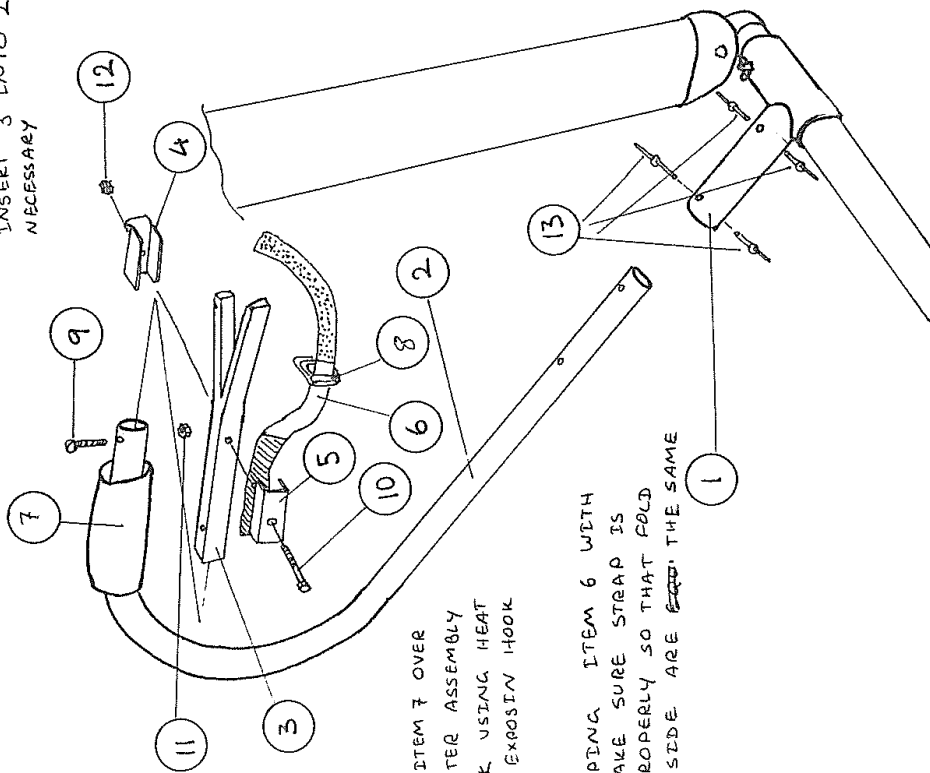
Number	DESCRIPTION / MATERIAL	Quantity	Date	Name
7	1" X 14 BLACK END PLUG	1		PEP8-001
6	1/8" DIA X 1/2" ALLY POP RIVET	1		FR4-16-001
5	1/4" T TYPE NUT	1		FNU4-NT
4	1 3/4" X 1/4" UNF HEX BOLT CUT TO 32MM	1		2MF-018
3	7/16" O/D X 2.2MM WALL, 5MM LENGTH PVC TUBE	2		PT116-003
2	M6 X 40MM DOME BOLT	1		FDM6-40
1	QUIK FIN TUBE	1		YQC-071

A. INITIAL ISSUE 101002
 Description of revision Date Approved
 Drawn 10/10/02
 Checked 12/10/02
 Date Approved

SUB-ASSEMBLY
 QUIK FIN TUBE ASSY
 PEGASUS AVIATION Ltd
 Drawing No. YQCC 070

DIM. IN mm SCALE: 1:1
 GEN. TOL. +/-:

USE SILICONE SPRAY TO
INSERT 3 INTO 2 IF
NECESSARY



NOTE: SLIDE ITEM 7 OVER
9, 11, 5, 4 AFTER ASSEMBLY
AND SHEDNK USING HEAT
GUN ONLY EXPOSIN HOOK
ON ITEM 4

WHEN CLAMPING ITEM 6 WITH
ITEM 5 MAKE SURE STRAP IS
CENTRED PROPERLY SO THAT FOLD
ON EITHER SIDE ARE ~~EQ~~ THE SAME

13	3/16 MONOBOLTS	8	FR3-R-002
12	M6 NYLOCK 'T' TYPE	2	FNM6-NT
11	M4 NYLOCK 'T' TYPE	2	FN4-NT
10	M6x30 HEX HT BOLT	2	FBM6-30
9	M4x30 PAN HEAD SCREW	2	FSM4-30
8	STEEL BUCKLE	2	XSB-010
7	YELLOW HEAT SHRINK SLEAVE	150mm	PMS8-003
6	QUICK TRAINING BAR STRAP	1	YQC-069
5	TRAINING BAR HOOK WASHER	1	ZMS-318
4	TRAINING BAR WASHER	1	ZMS-319
3	TRAINING BAR UPPER MOUNT	1	ZMP-129
2	QUICK TRAINING BAR HANDLE	1	YQC-067
1	QUICK TRAINING BAR 'T' PIECE	1	YQC-068

SOLAR WINGS AVIATION Ltd
ELM TREE PARK,
MANTON,
MARLBOROUGH,
WILTSHIRE,
SN81PS

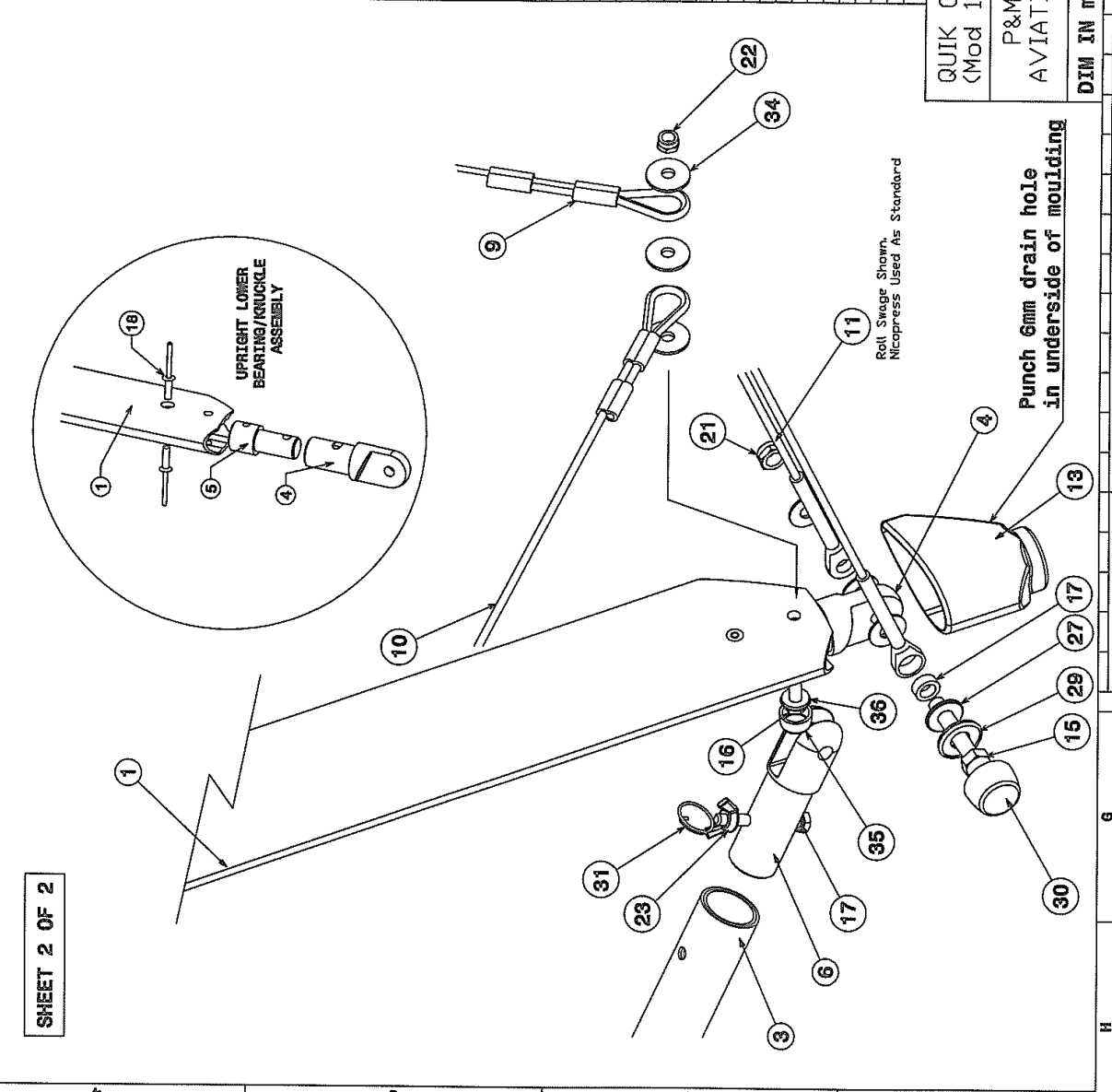
Drawn 101202 TGS
Approved 101202 *[Signature]*
Checked 30/11/04 *[Signature]*

Iss.	Description of revision	Date	Approved
A	INITIAL ISSUE	101002	<i>[Signature]</i>

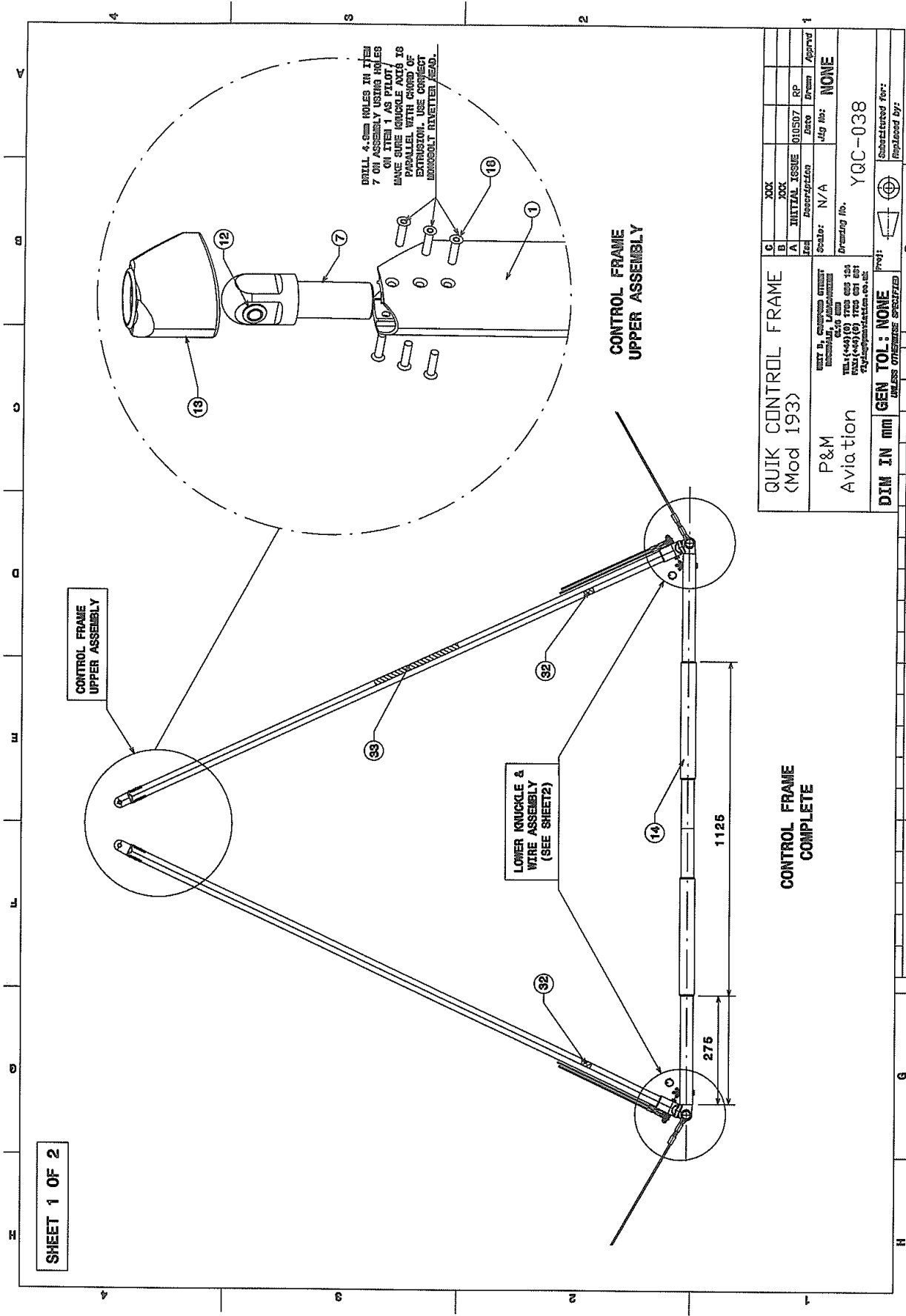
Drawing No. YQC-0401

SUB-ASSEMBLY QUIK INSTRUCTOR BAR ASSEMBLY

No.	Description	Qty	Material
49	XXX	X	XXXX
45	XXX	X	XXXX
44	XXX	X	XXXX
43	XXX	X	XXXX
42	XXX	X	XXXX
41	XXX	X	XXXX
40	XXX	X	XXXX
39	XXX	X	XXXX
38	XXX	X	XXXX
37	XXX	X	XXXX
36	6MM SKIFFY RING	X	XXXX
35	6MM RAISED SKIFFY CAP	4	XXXX
34	1/4" X 3/4 ING WASHER	6	XXXX
33	LARGE 2 COLOUR STICKER	2	XXXX
32	HAIR AND MAIN PLACARDS	1	XXXX
31	5/8" SAFETY RING	2	XXXX
30	6MM RAISED SKIFFY CAP	4	XXXX
29	6MM SKIFFY RING	4	XXXX
28	(SPARE)	X	XXXX
27	5/16" M STEEL WASHER TAILP	8	XXXX
26	(SPARE)	X	XXXX
25	(SPARE)	X	XXXX
24	(SPARE)	X	XXXX
23	1/4" ING RING NUT	2	XXXX
22	1/4" ING P. TYPE INLOCK NUT	2	XXXX
21	5/16" ING P. TYPE INLOCK NUT	2	XXXX
20	(SPARE)	X	XXXX
19	(SPARE)	X	XXXX
18	5/16 X 3/8 C-SUNK ANVEL INMBOLT	16	ANVEL 02701-00816
17	BASE SIDE WIRE SPACER	2	XXXX
16	AM-20A HEX A/C BOLT	2	XXXX
15	AM-22A HEX A/C BOLT	2	XXXX
14	BASE BAR HAND GRIPB	2	XXXX
13	EXTRUSION END BOOT	4	XXXX
12	FIB-0809-5M1 FLANGED BEARING	4	XXXX
11	LOWER SIDE RIGGING	4	XXXX
10	LOWER FRONT RIGGING	2	XXXX
9	LOWER REAR RIGGING	2	XXXX
8	(SPARE)	X	XXXX
7	C FRAME SIDE TOP KNUCKLE	2	XXXX
6	C FRAME BASE TUBE KNUCKLE	2	XXXX
5	UPLIGHT ROTATOR BEARING	2	XXXX
4	C FRAME SIDE LOWER KNUCKLE	2	XXXX
3	CONTROL FRAME BASE TUBE	1	XXXX
2	(SPARE)	X	XXXX
1	CONTROL FRAME UPLIGHT (L/R)	2	XXXX



QUIK CONTROL FRAME (Mod 193)		Part No.
P&M AVIATION DIM IN mm GEN TOL: NONE UNLESS OTHERWISE SPECIFIED	Initial Issue 010507 Rev RP	Drawing No. YQC-038
Part No. 010507 Description QUICK CONTROL FRAME Part No. 010507 Description QUICK CONTROL FRAME	Scale: N/A Drawing No. YQC-038	Approved by:
DIM IN mm GEN TOL: NONE UNLESS OTHERWISE SPECIFIED		Subcontracted for:
P&M AVIATION DIM IN mm GEN TOL: NONE UNLESS OTHERWISE SPECIFIED		Drawn by:



SHEET 1 OF 2

QUICK CONTROL FRAME (Mod 193)		C	XXX				
B	INITIAL ISSUE	010507	RP				
A	DESCRIPTION	Zero	Drawn	Approved			
P&M Aviation		Scale:	N/A	Drawn by:	YQC-038		
DIM IN mm		GEN TOL: NONE		Submitted for:		Replaced by:	
		UNLESS OTHERWISE SPECIFIED					