



Q Wing

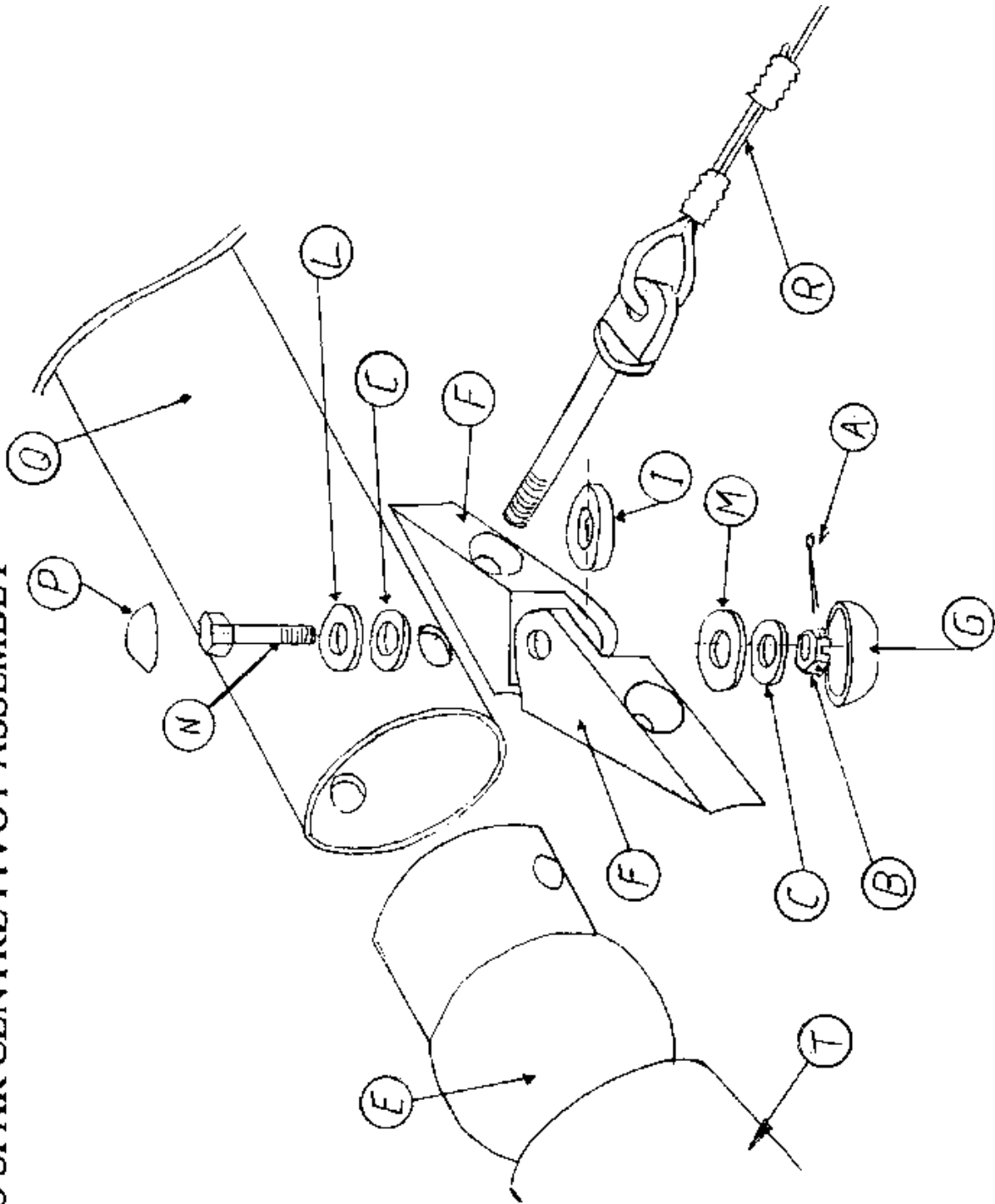
PARTS CATALOGUE

Pegasus Aviation, Elm Tree Park, Manton, Marlborough, Wiltshire, SN8 1PS, UK
Telephone +44 (0) 1672 861578 Fax +44 (0) 1672 861550
Email sales@pegasusaviation.co.uk Web site <www.pegasusaviation.co.uk>

CONTENTS

ASSEMBLY	PAGE
Cross Spar Centre Pivot	2
Cross Spar Webbing	4
Cross Spar Connection	6
Leading Edge Tip	8
Keel Nose Plate	10
Trike Suspension	12
Restraint Cable	14
Keel Rear	16
Fin Tube and King Wire	18
Control Frame Top	20
Control Frame Lower Knuckle	22
King Post Lower	24
King Post Top	26
Wing Ribs	28

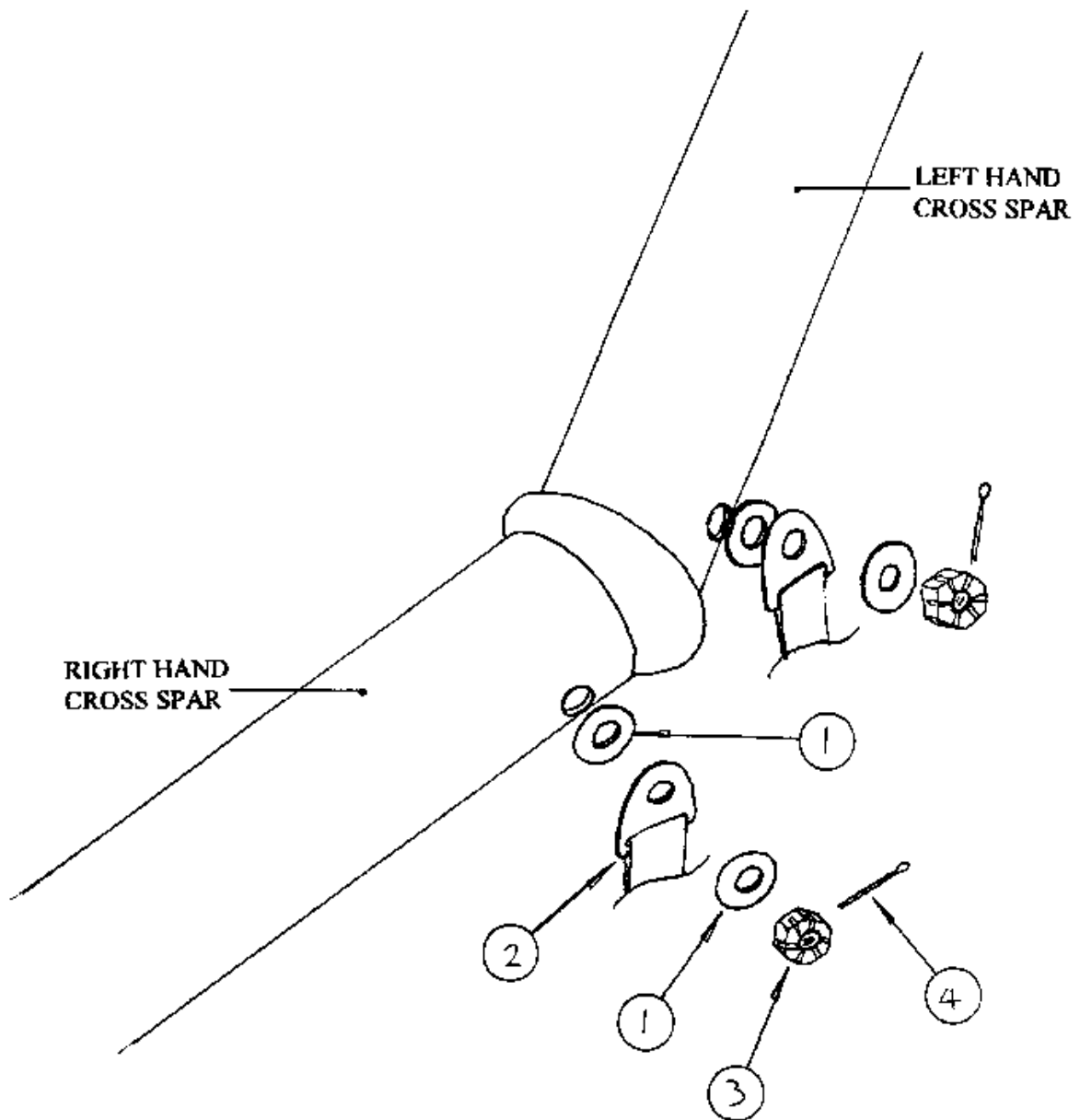
CROSS SPAR CENTRE PIVOT ASSEMBLY



CROSS SPAR CENTRE PIVOT ASSEMBLY

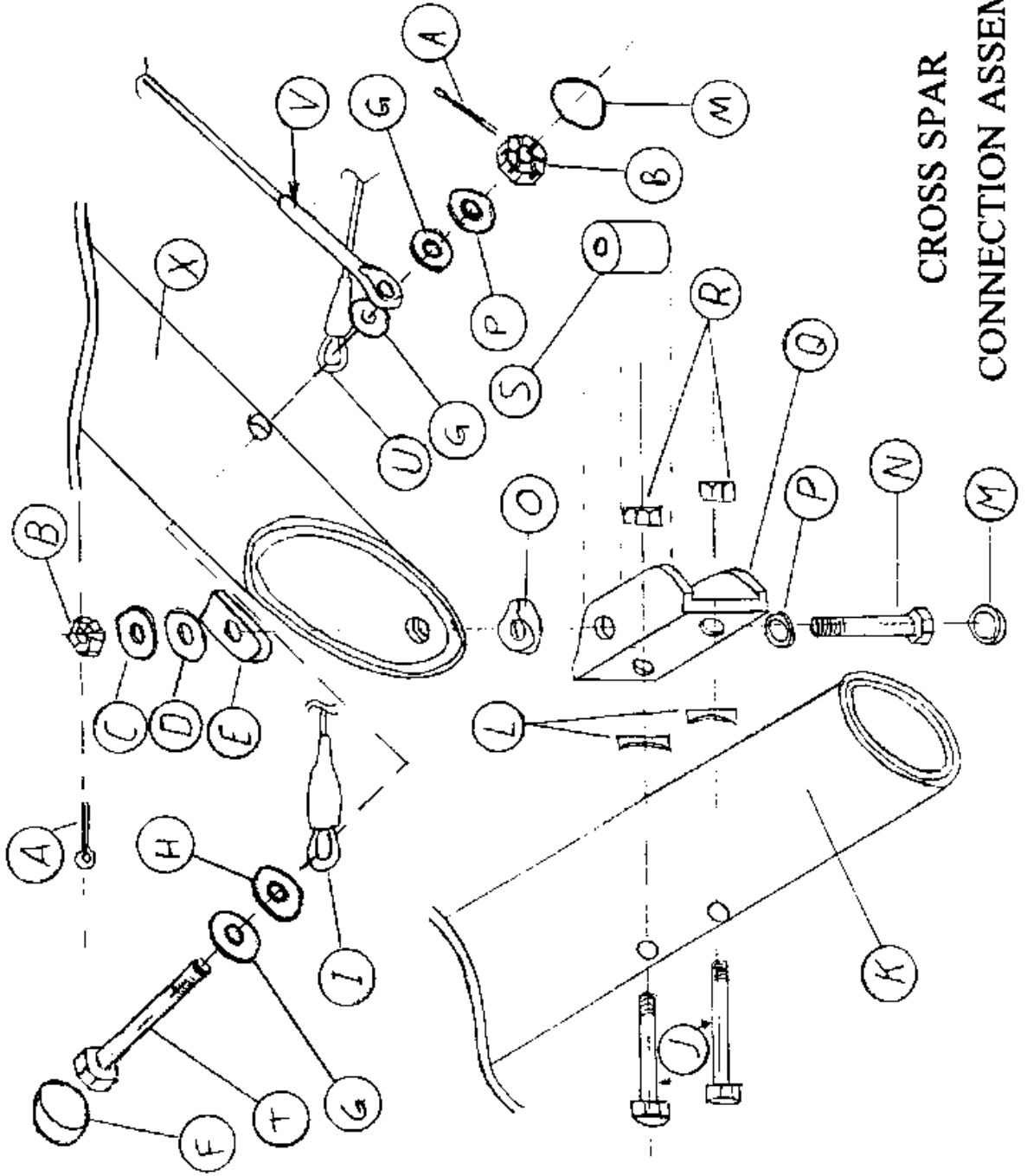
Item	Description	Part Number
A	SPLIT PIN	FPSP-002
B	CASTLE NUT	FNU5-CN
C	1WASHER.	FW5M
E	CENTRE BALL	ZNP-010
F	CENTRE SWIVEL	ZMA-002
G	RAISED SKIFFY CAP	PMC-RSC10
I	NYLON SPACER	ZSP-008
L	SKIFFY WASHER	PMC-SB8
M	SKIFFY WASHER	PMC-SBI0
N	BOLT	FBA5-15
P	SKIFFY CAP	PMC-SC8
Q	CROSS SPAR	YQA-31632
R	RESTRAINT CABLE	YQB-31640
T	CROSS SPAR INSERT	ZIN-009

CROSS SPAR WEBBING ASSEMBLY



CROSS SPAR WEBBING ASSEMBLY

Item	Description	Part Number
1	WASHER	M5-T3
2	ANTI FLOAT WEBBING	YQB-31660
3	CASTLE NUT	FNU5-CN
4	SPLIT PIN	FPSP-002

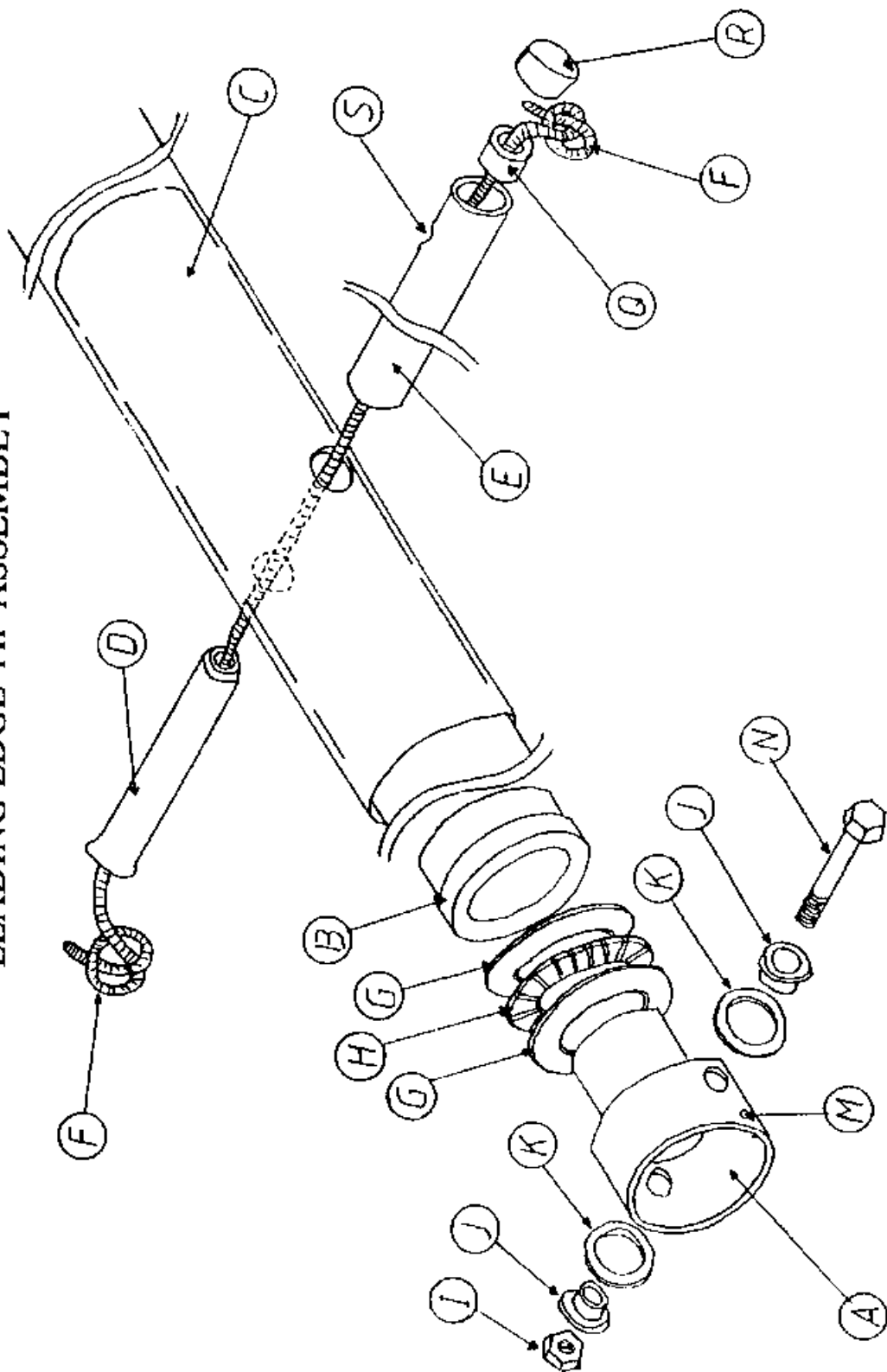


CROSS SPAR
CONNECTION ASSEMBLY

CROSS SPAR CONNECTION ASSEMBLY

Item	Description	Part Number
A	SPLIT PIN	FPSP-002
B	CASTLE NUT	FNU6-CN
C	WASHER	FW5-10
D	NYLON WASHER	FWP-002
E	HALF ROUND SPACER	ZSP-026
F	SKIFFY CAP	MC-RSC10
G	WASHER	FWMI0-B
H	SKIFFY WASHER	PMC-SBI0
I	LOWER RIGGING SIDE CABLE	YQB-61 100
J	BOLT	FBU4-30
K	LEADING EDGE (LEFT)	YQA-31 100
L	PLASTIC SADDLE	MS-M8-21L
M	SKIFFY CAP	MC-RSC10
N	BOLT	FBA5-24
O	PLASTIC SADDLE	PMS-5-25
P	SKIFFY WASHER	MC-SBI0
Q	LEADING EDGE TO CROSS SPAR CHANNEL	ZCH-010
R	NYLOCK NUT	FNU4-NP
S	SPACER	ZSP-001
T	BOLT	FBA6-41
U	LOWER RIGGING SIDE CABLE	YQB-61 100
V	UPPER RIGGING SIDE TO SIDE CABLE	YQB-62100
X	CROSS SPAR	YQA-31632

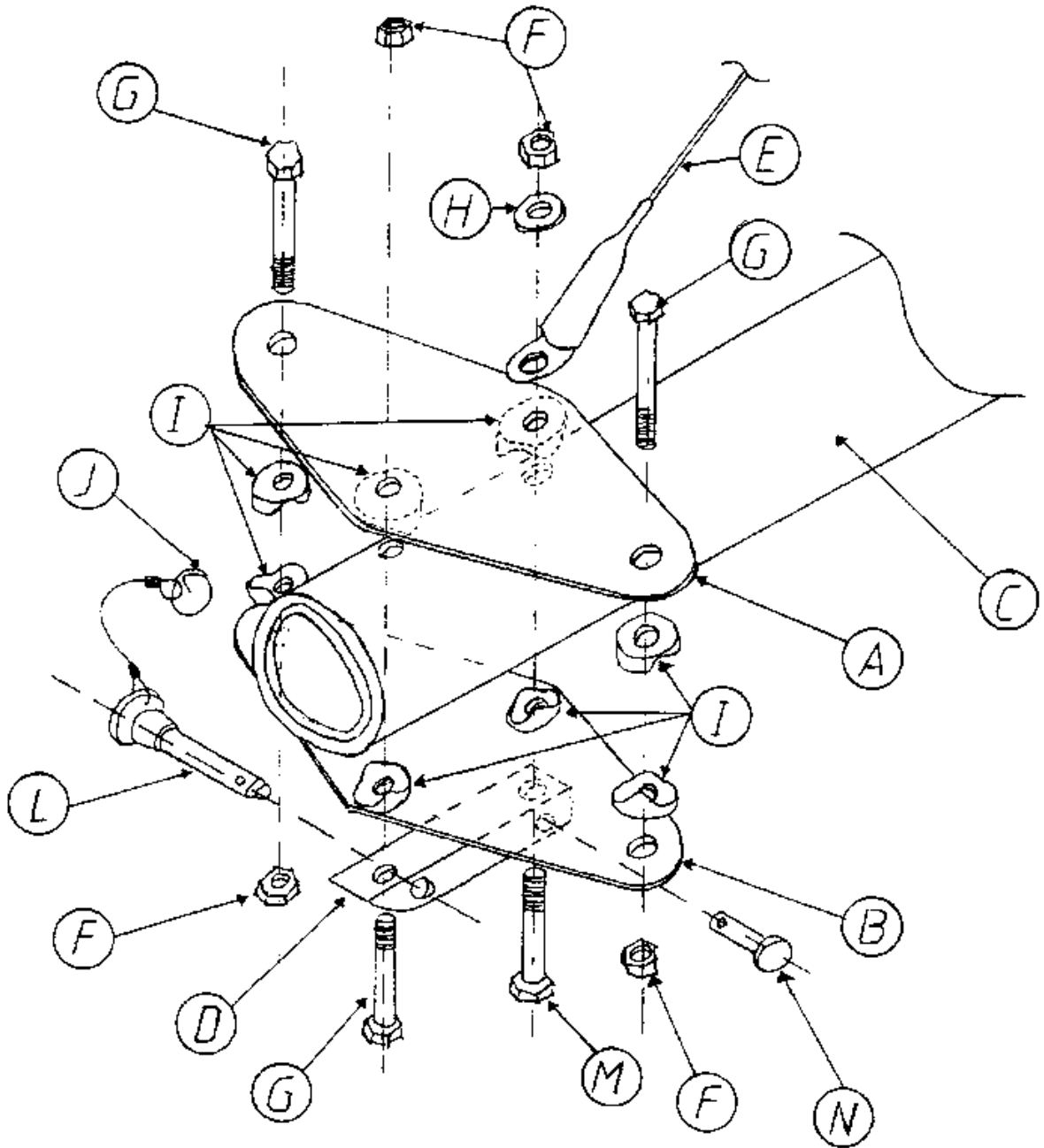
LEADING EDGE TIP ASSEMBLY



LEADING EDGE TIP ASSEMBLY

Item	Description	Part Number
A	WING TIP TO BEARING CONNECTOR	ZMA-006
B	TIP BEARING THRUST	ZBB-001
C	LEADING EDGE	YQA-31 100
D	WASHOUT PLUG	ZIN-010
E	WASHOUT ROD	YOB-31103
F	ELASTIC CORD	VSCS-001
G	THRUST PLATE	BEA-TR-2
H	BEARING	BEA-TR-1
I	NYLOCK NUT	FW6-NT
J	EYELET ADAPTER	ZSP-006
L	END CAP	PEP16-001
K	SAIL EYELET	
N	BOLT	FBM6-70
Q	WASHOUT PLUG STOP	ZSP-041
R	PLASTIC END CAP	PEC5-001

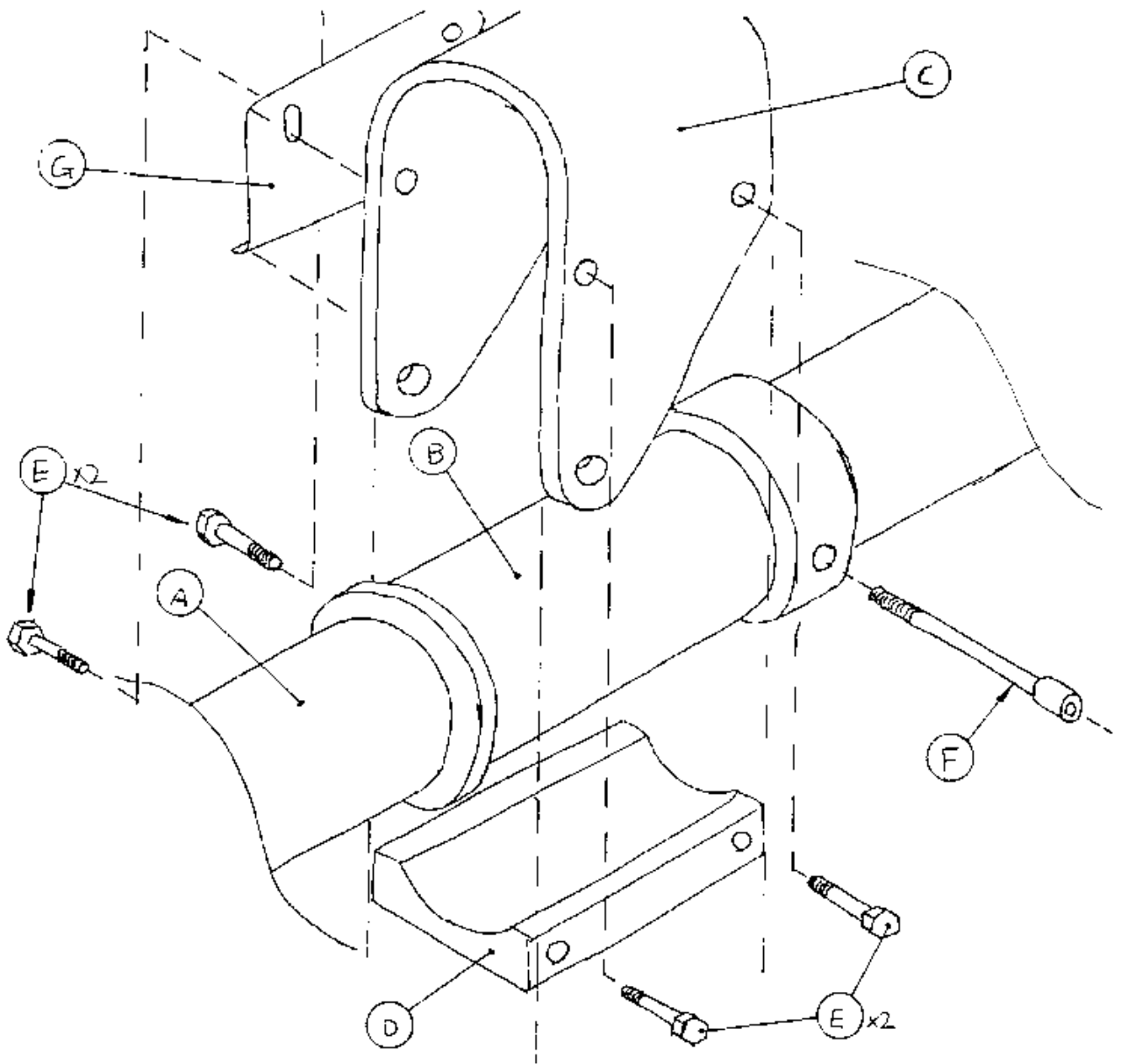
KEEL NOSE PLATE ASSEMBLY



KEEL NOSEPLATE ASSEMBLY

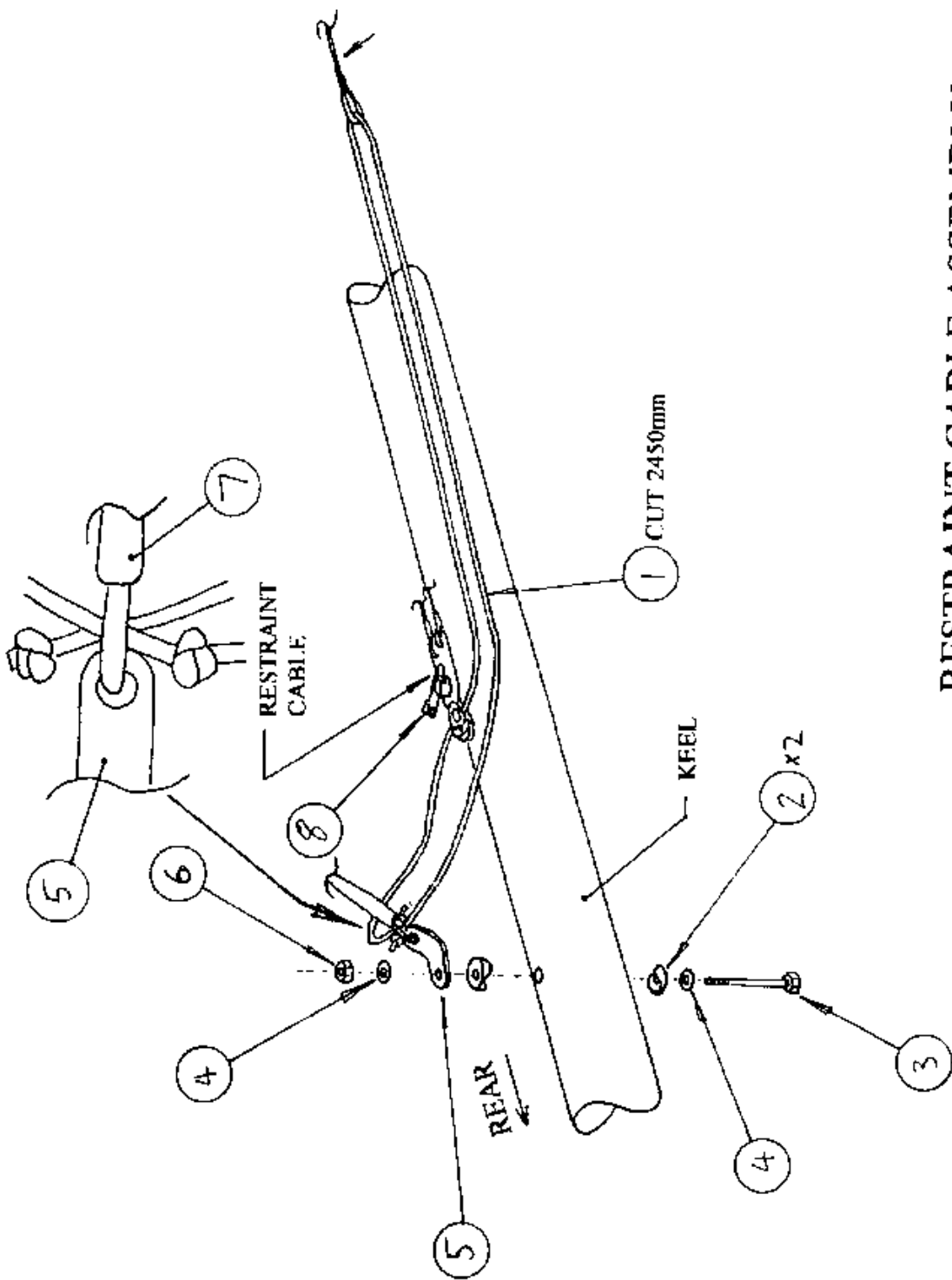
Item	Description	Part Number
A	NOSEPLATE	ZPL-003
B	NOSE PLATE	ZPL-003
C	KEEL	YQA-31301
D	CHANNEL	ZCH-006
E	UPPER RIGGING FRONT/REAR	YQA-62200
F	NYLOCK NUT	FNU4-NP
G	BOLT	FBU4-32
H	WASHER	M4-T4
I	SADDLES	MS-M8-21L
J	SAFETY RING	FPSR-001
L	PIP PIN	FP-001
M	BOLT	FBU4-34
N	CLEVIS PIN	FPCP-001

SUSPENSION ASSEMBLY



SUSPENSION ASSEMBLY

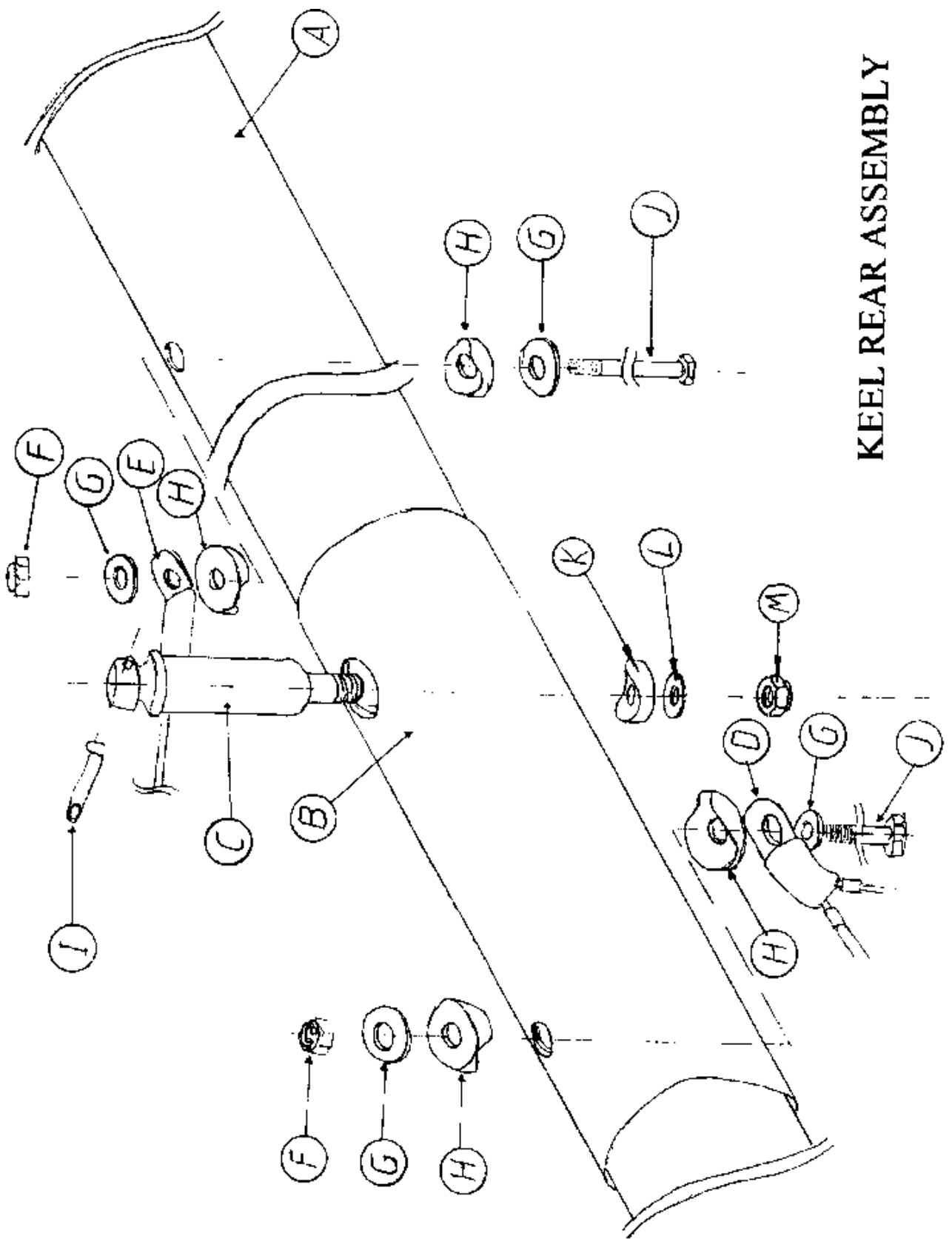
Item	Description	Part Number
A	KEEL ASSEMBLY	YQA-31301
B	SUSPENSION BEARING (QUASAR, QUANTUM) (CLASSIC)	ZW-014 ZW-005
C	TRIKE SUSPENSION PLATE (QUASAR QTM) (CLASSIC)	ZMA-022 ZMA-012
D	TRIKE SUSPENSION PLATE SPACER (QSR QTM) (CLASSIC)	ZMA-023 ZSP-005
E	BOLTS	FBM6-35
F	C of G SETTING BOLT	ZW-003
G	SUSPENSION PLATE LOCK TAB (CLASSIC ONLY)	ZMS-004



RESTRAINT CABLE ASSEMBLY

RESTRAINT CABLE ASSEMBLY

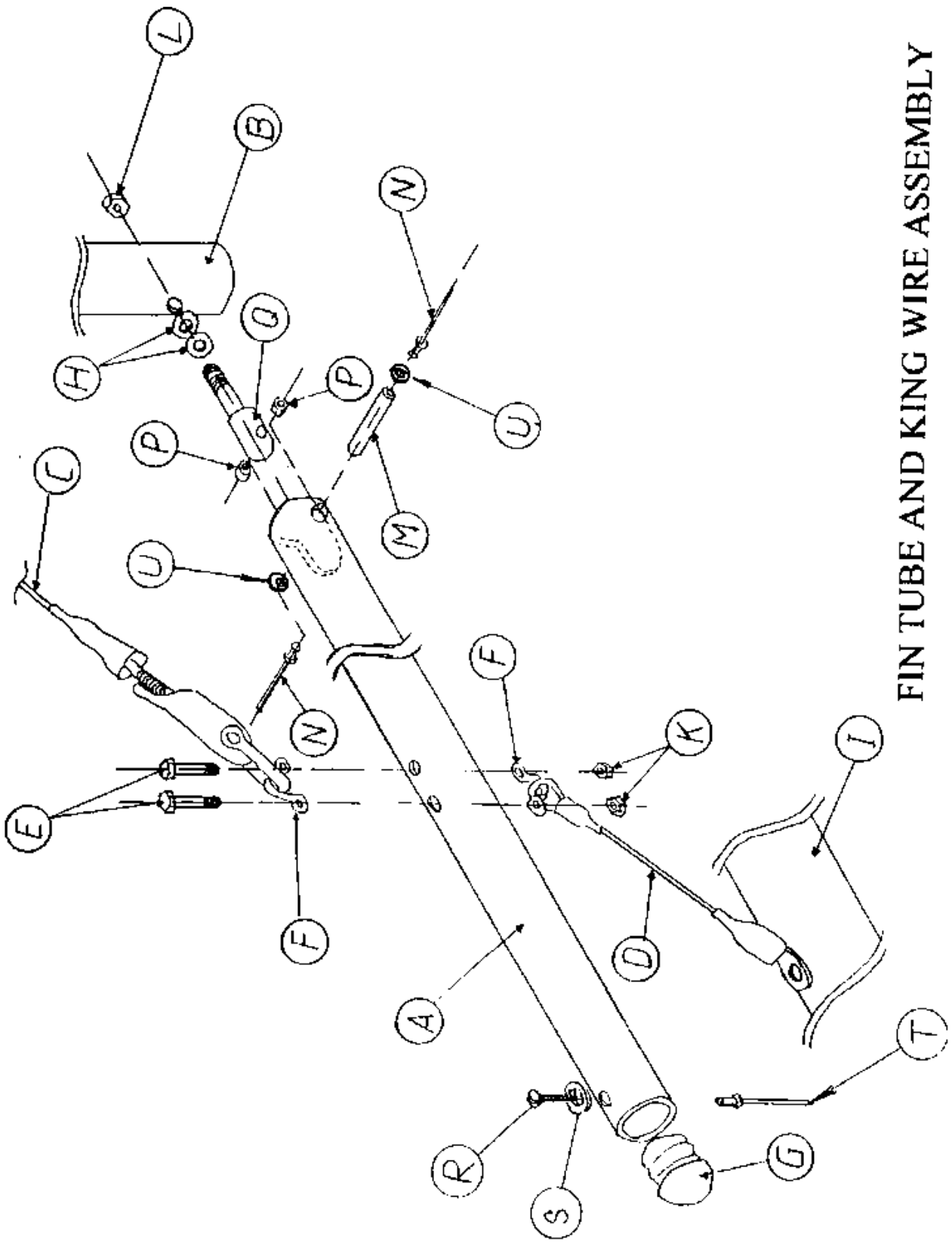
Item	Description	Part Number
1	CORD	VPR5-001
2	PLASTIC SADDLE	PMS-M8-21S
3	BOLT	FBU4-30
4	WASHER	M4-T4
5	TANG	RT-2H-HD3
6	NYLOCK NUT	FNU4-NP
7	FIN TO KEEL CABLE	YQA-6230
8	SAFETY PIN	FP-003



KEEL REAR ASSEMBLY

KEEL REAR ASSEMBLY

Item	Description	Part Number
A	KEEL	YQA-31301
B	KEEL REAR OVER SLEEVE	
C	RESTRAINT STUD	FMSS-1
D	LOWER REAR RIGGING (QUASAR, QUANTUM)	YQA-61250
	(CLASSIC)	YQA-61200
E	FIN TUBE TO KEEL CABLE	YQA-62300
F	NYLOCK NUT	FNU4-WP
G	WASHER	FW4-T4
H	PLASTIC SADDLE	I'MS-M8-21S
I	KEEP PIN	FP-003
J	BOLT	FBU4-30
K	PLASTIC SADDLE	PMS-M8-21S
L	WASHER	FW4-T4
M	NYLOCK NUT	FNU4-NP

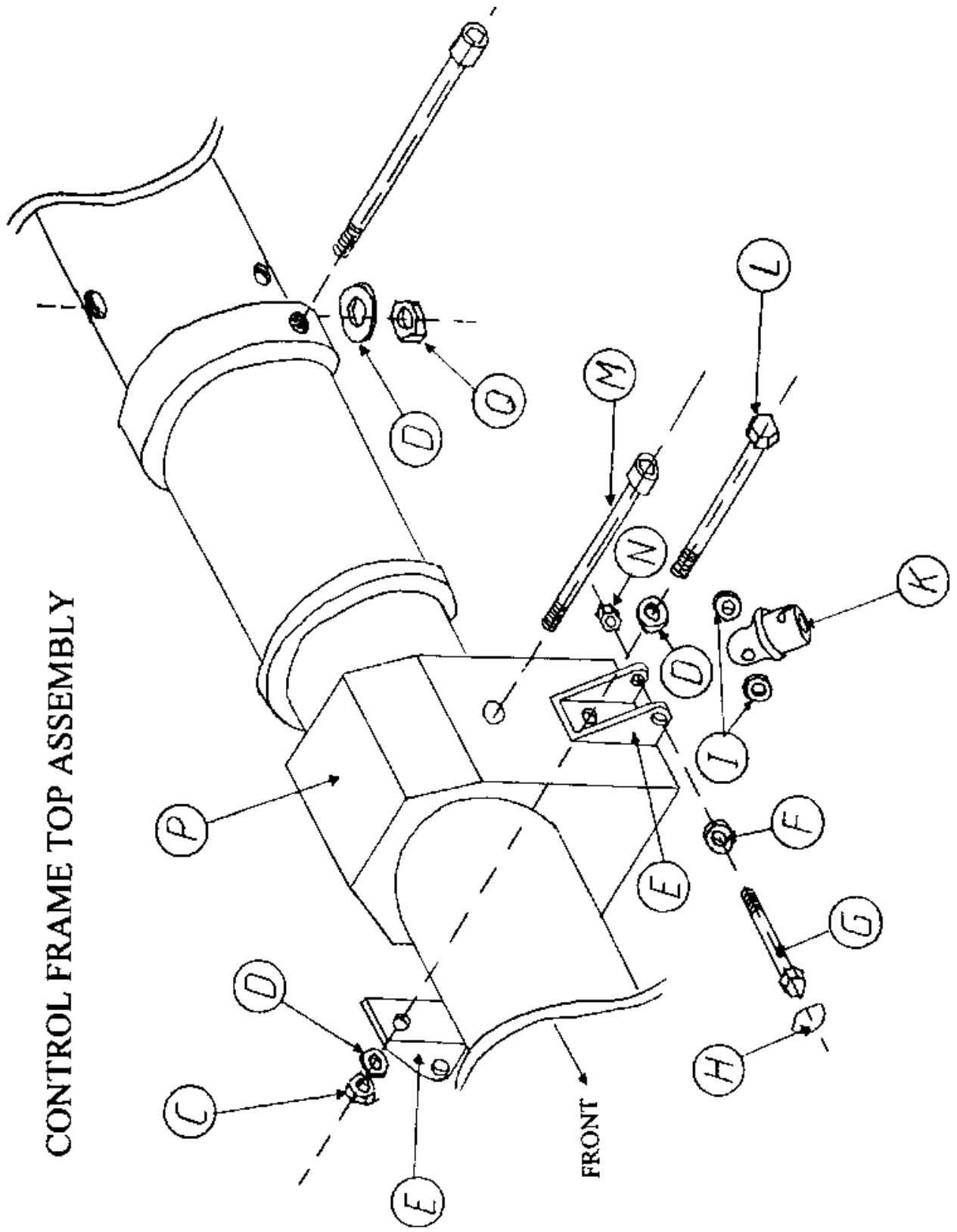


FIN TUBE AND KING WIRE ASSEMBLY

FIN TUBE AND KING WIRE ASSEMBLY

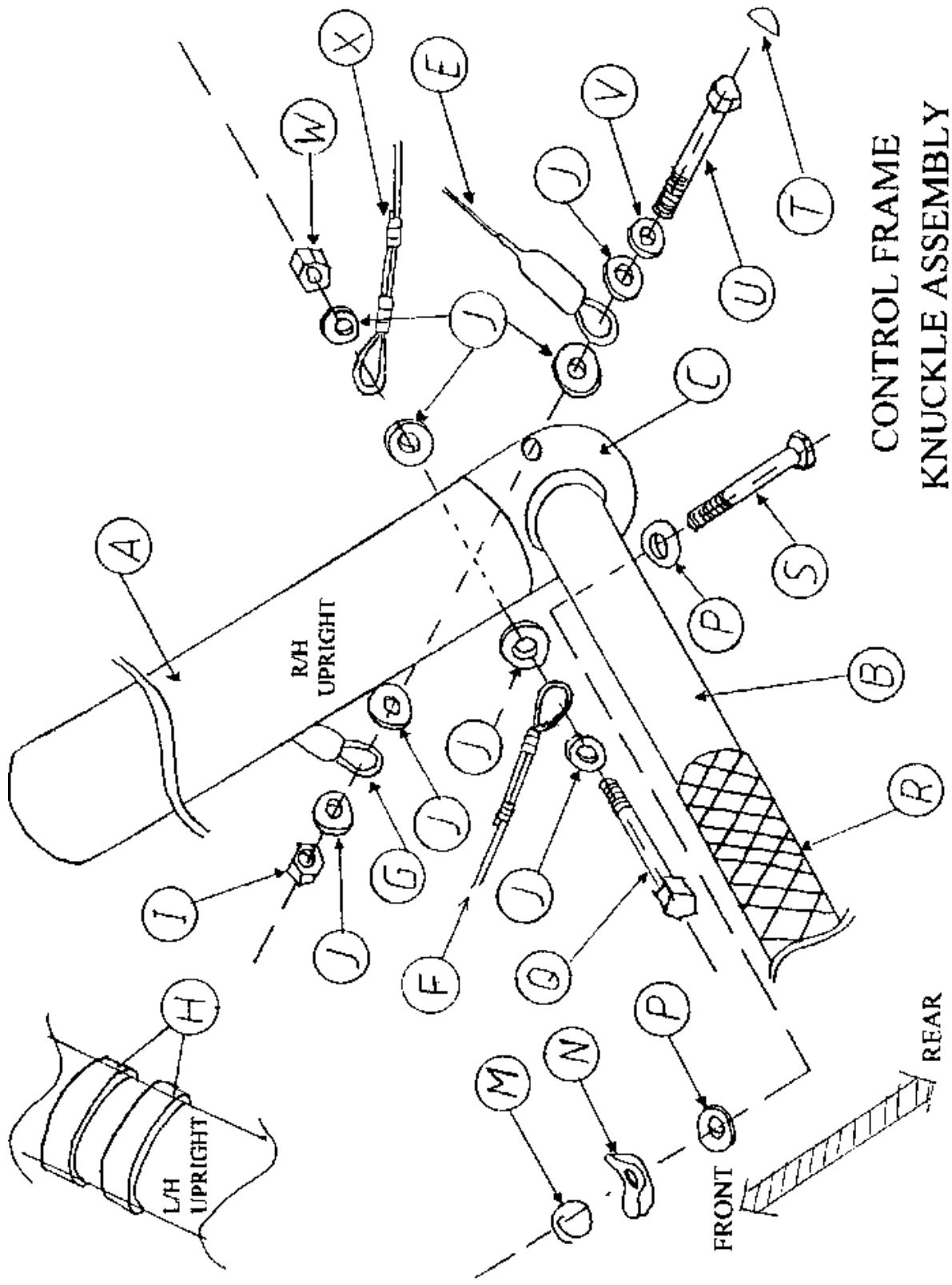
Item	Description	Part Number
A	FIN TUBE	YQB-31710
B	KING POST TUBE	YQA-41000
C	UPPER FRONT / REAR RIGGING	YOA-62200
D	FIN TO KEEL CABLE	YQA-62300
E	HEX BOLT	FBM5-35
F	SHACKLE	RM-1
G	PVC END CAP	PEP8-001
H	WASHER	M4-T4
I	KEEL TUBE	YQA-31301
K	NYLOCK NUT	FNM5-NT
L	NYLOCK NUT	FNM6-NT
M	ROLL PIN	FPRP-001
N	RIVET	FR5-12-001
P	PLASTIC SPACER	PT116-003
Q	DOME EYEBOLT	FDM6-40
R	SELF TAP SCREW	FMSST-002
S	SAIL EYELET	
T	RIVET	FR4-16-001
U	WASHER	FW3-T3

CONTROL FRAME TOP ASSEMBLY



CONTROL FRAME TOP ASSEMBLY

Item	Description	Part Number
C	NYLOCK NUT	FNU5-NP
D	WASHER	FW5-T4
E	CONTROL FRAME BRACKET	ZCH-004
F	SKIFFY WASHER	PMC-SB6
G	BOLT	FBA4-17A
H	SKIFFY CAP	PMC-RSC6
I	WASHER	FW4-T4
K	CONTROL FRAME SIDE UPPER KNUCKLE	ZKN-100
L	BOLT	FBA5-37A
N	NYLOCK NUT	FNU4-NP
P	CONTROL FRAME BLOCK	ZMP-002
Q	NYLOCK NUT	FNM8-NT

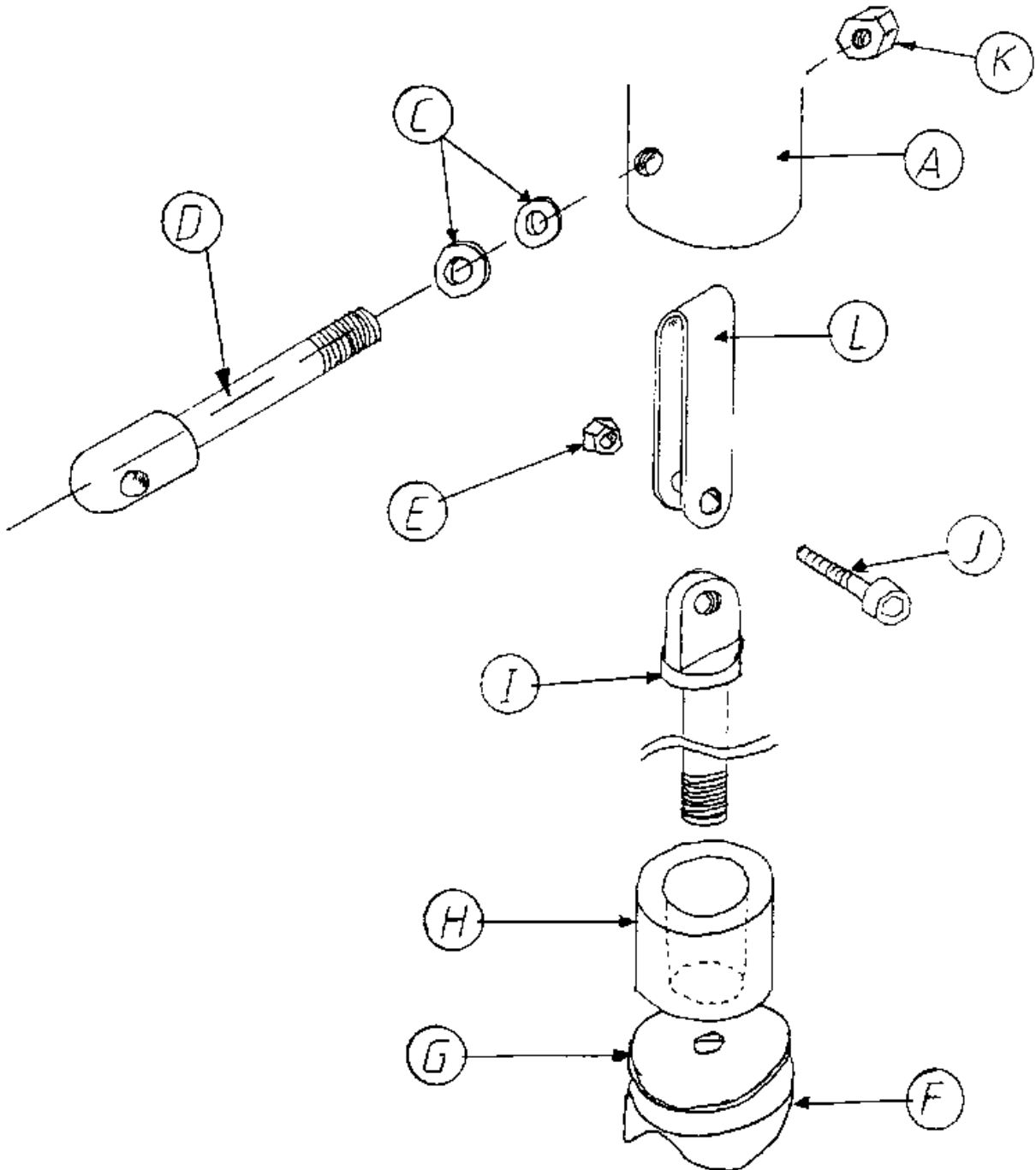


CONTROL FRAME
KNUCKLE ASSEMBLY

CONTROL FRAME LOWER KNUCKLE ASSEMBLY

Item	Description	Part Number
A	CONTROL FRAME SIDE TUBE	YQB-51000
B	CONTROL FRAME BASE TUBE	YQB-51200
C	BASE TUBE KNUCKLE	ZKN-102
D	LOWER KNUCKLE	ZKN-101
E	LOWER RIGGING SIDE CABLE	YQB-61 100
F	LOWER RIGGING FRONT CABLE (QUASAR, QTM) CLASSIC	YQA-61350 YQA-61300
G	LOWER RIGGING SIDE CABLE	YQB-61 100
H	PVC WEAR RING	
I	NYLOCK NUT	FNU5-NP
J	WASHER	FW5J4
M	SAFETY RING	FPSR-001
N	WING NUT	I7NU4-WN
P	WASHER	FW4J4
Q	BOLT	FBA4-25A
R	HAND GRIPS	PMM-009
S	BOLT	FBA4-15
T	SKIFFY CAP	PMC-SC8
U	BOLT	FBAS-27A
V	SKIFFY WASHER	MC-SB8
W	NYLOCK NUT	FNU4-NI
X	LOWER RIGGING REAR CABLE (QUASAR QTM) CLASSIC	YQA-61250 YQA-61200

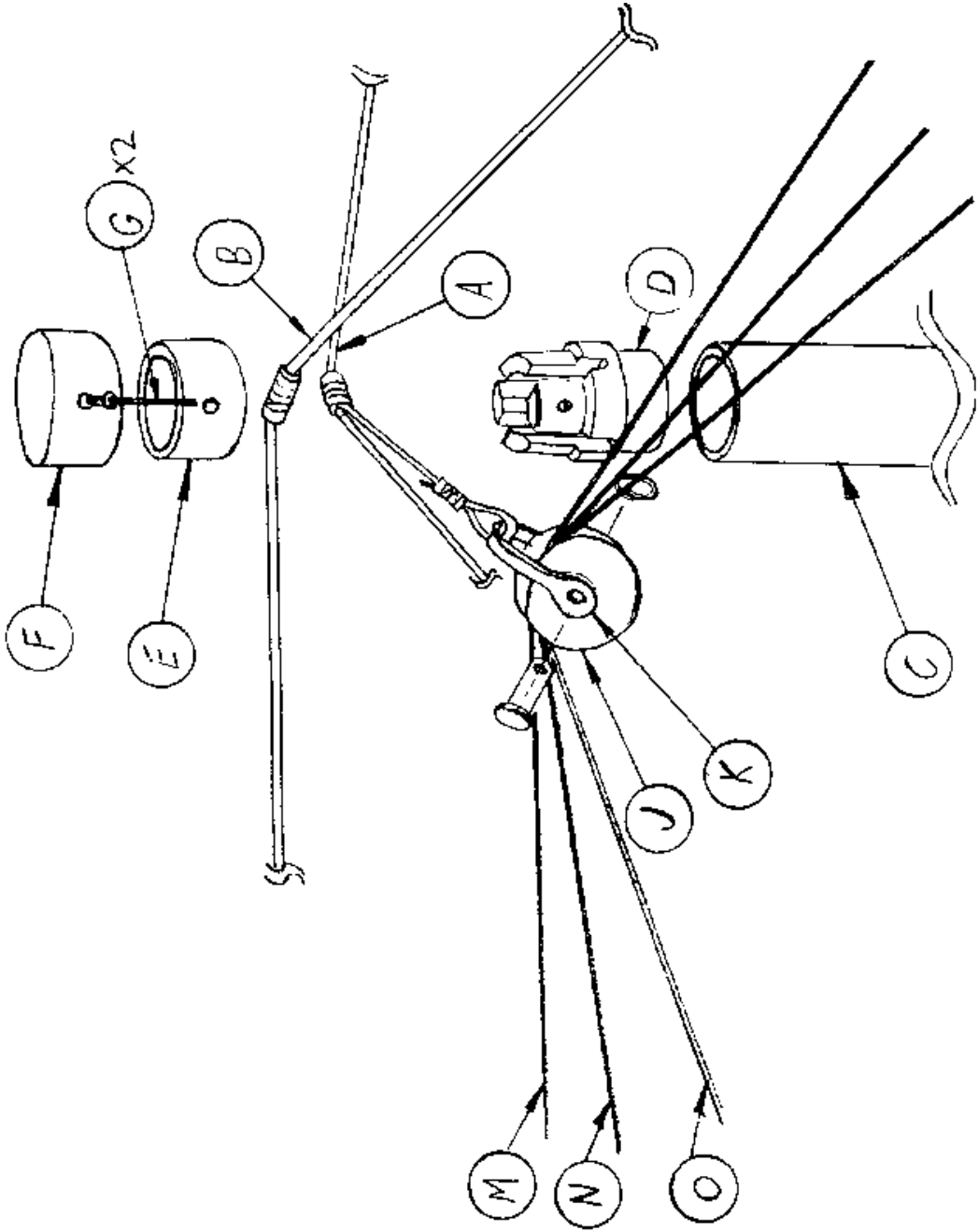
KING POST LOWER ASSEMBLY



KING POST LOWER ASSEMBLY

Item	Description	Part Number
A	KING POST	YQA-41000
C	WASHER	FW4-T4
D	DOME BOLT	FDM6-40
E	NYLOCK NUT	FNM5-NP
F	PLASTIC SADDLE	PMS-M8-21L
G	WASHER	FW5-14
H	KINGPOST BASE	ZMP-003
I	EYE BOLT	FEM8-65
J	SCREW	FCM5-16
K	NYLOCK NUT	FNM6-NT
L	SHACKLE	RS-3

KING POST TOP ASSEMBLY



KING POST TOP ASSEMBLY

Item	Description	Part Number
A	UPPER FRONT TO REAR RIGGING	YQA-62200
B	UPPER SIDE RIGGING	YQB-62100
C	KING POST	YQA-41000
D	KING POST TOP	ZMP-004
E	KING POST TOP RETENTION TUBE	YQB-41010
F	KING POST TOP CAP	PECI0-001
G	POP RIVET	FR4-16-001
J	PULLEY	RP-5
K	SHACKLE	RS-1
M	INNER REFLEX LINE	YQB-62300
N	MIDDLE REFLEX LINE	YQB-62400
O	OUTER REFLEX LINE	YQB-62500